

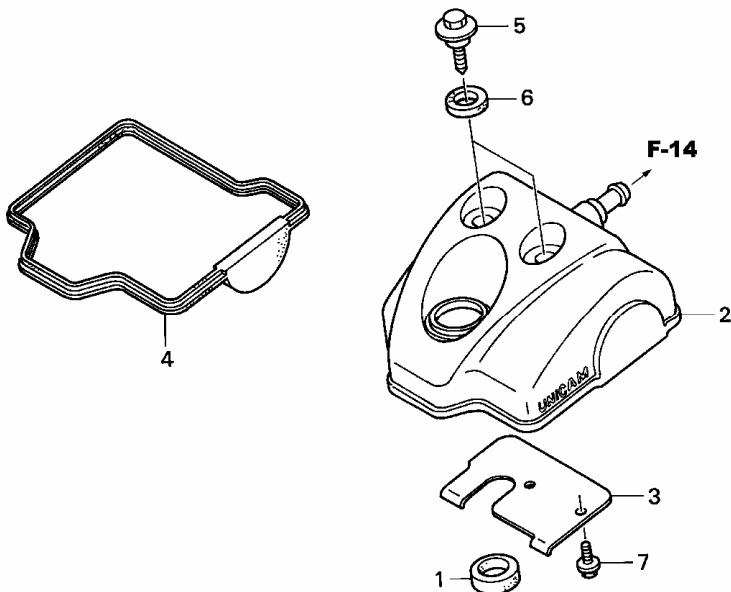


CRF250R

2004

Block E-1 CYLINDER HEAD COVER

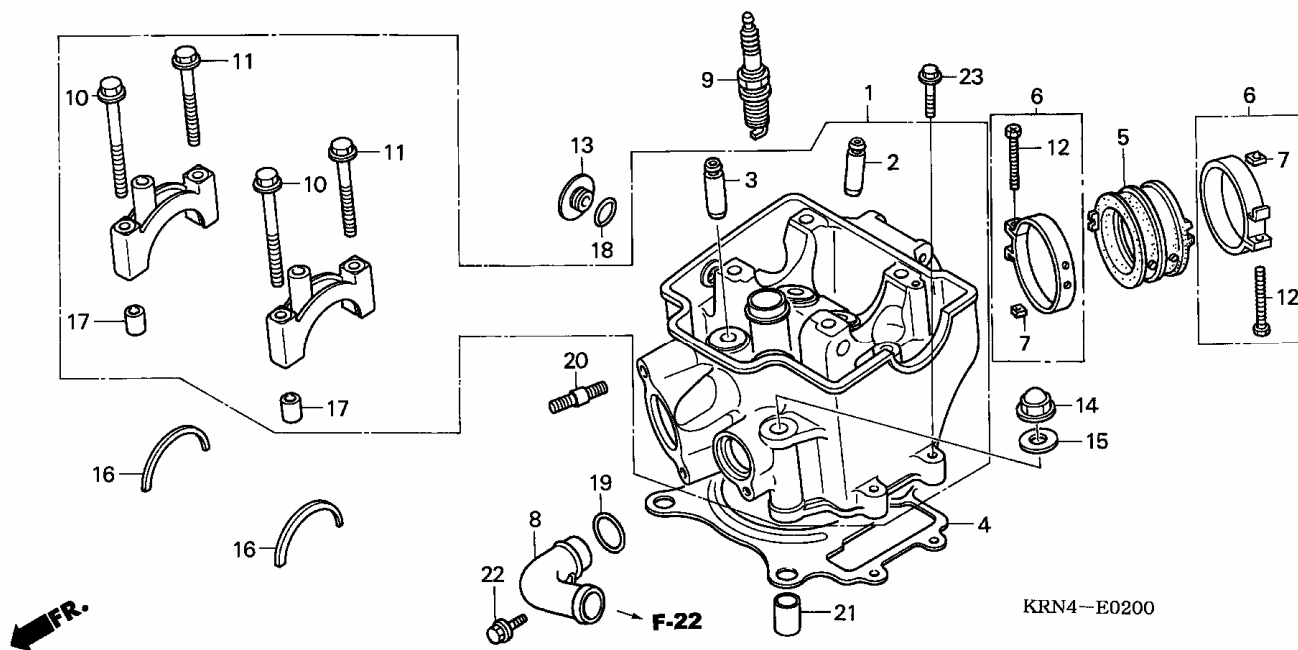
FR.



KRN4-E0100

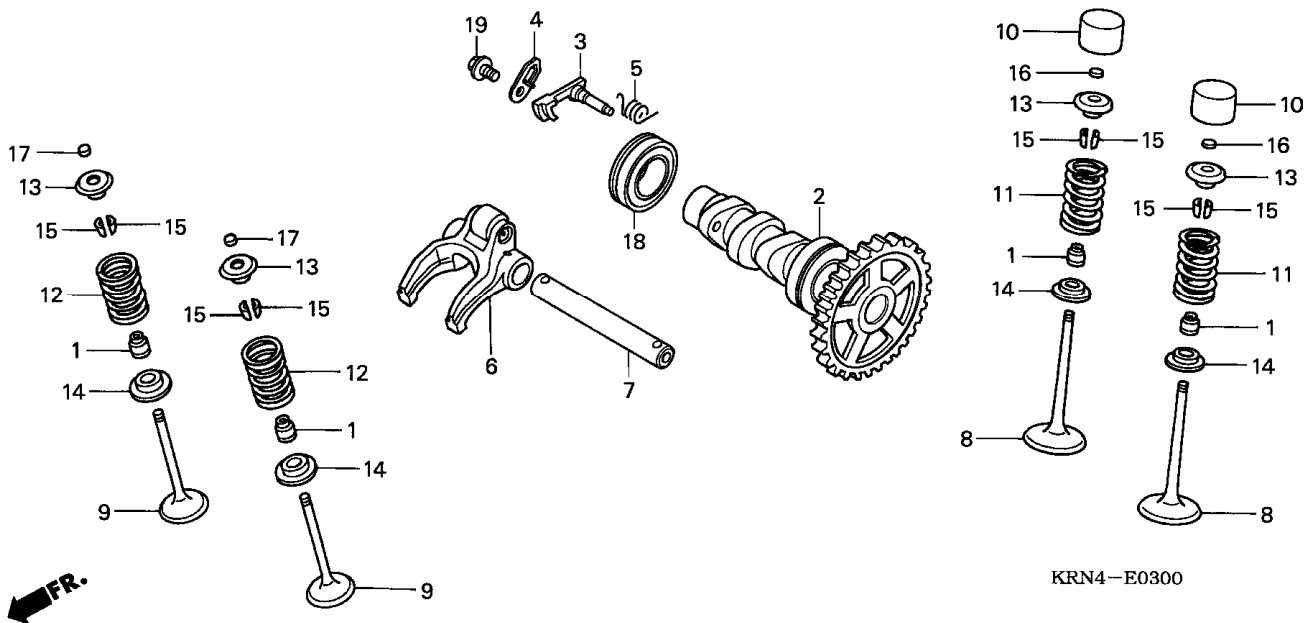
| Refnr | Part Number | Part Description | Unit Qty | Repair Qty | Price SEK (excl. VAT) |
|-------|---------------|----------------------------|----------|------------|-----------------------|
| 1 | 12226-MEB-670 | SEAL, RING | 001 | 0,00 | 32,61 |
| 2 | 12310-KRN-670 | COVER COMP., CYLINDER HEAD | 001 | 0,00 | 970,49 |
| 3 | 12316-KRN-670 | PLATE, BREATHER | 001 | 0,00 | 39,34 |
| 4 | 12391-KRN-670 | GASKET, HEAD COVER | 001 | 0,00 | 103,62 |
| 5 | 90017-MY9-790 | BOLT, HEAD COVER | 002 | 0,00 | 16,33 |
| 6 | 90543-MV9-670 | RUBBER, MOUNTING | 002 | 0,00 | 22,45 |
| 7 | 96300-0601200 | BOLT, FLANGE, 6X12 | 002 | 0,00 | 7,75 |

Block E-2 CYLINDER HEAD



| Refnr | Part Number | Part Description | Unit Qty | Repair Qty | Price SEK (excl. VAT) |
|-------|---------------|------------------------------|----------|------------|--------------------------|
| 1 | 12010-KRN-670 | HEAD ASSY., CYLINDER | 001 | 0,00 | 5 100,31 |
| 1 | 12010-KRN-671 | HEAD ASSY., CYLINDER | 001 | 0,00 | 5 100,31 |
| 2 | 12204-KRN-P00 | GUIDE, IN. VALVE (O.S.) | 002 | 0,00 | 95,29 |
| 3 | 12205-KRN-P00 | GUIDE, EX. VALVE (O.S.) | 002 | 0,00 | 95,29 |
| 4 | 12251-KRN-671 | GASKET, CYLINDER HEAD | 001 | 0,00 | 178,66 |
| 5 | 16211-KRN-670 | INSULATOR, CARBURETOR | 001 | 0,00 | 83,78 |
| 6 | 16218-MCJ-000 | BAND B, INSULATOR | 002 | 0,00 | 70,19 |
| 7 | 16222-MV4-300 | NUT, SQUARE, 5MM | 002 | 0,00 | 9,71 |
| 8 | 19523-MEB-670 | PIPE, WATER | 001 | 0,00 | 181,60 |
| 9 | 31911-MBW-E11 | PLUG, SPARK (IMR8C-9H) (NGK) | 001 | 0,00 | 285,98 |
| 9 | 31921-MBW-E12 | PLUG, SPARK (VUH24D) (DENSO) | 001 | 0,00 | 357,48 |
| 9 | 31912-MBW-E11 | PLUG, SPARK (IMR9C-9H) (NGK) | (1) | 0,00 | 285,98 |
| 9 | 31922-MBW-E12 | PLUG, SPARK (VUH27D) (DENSO) | (1) | 0,00 | 357,48 |
| 10 | 90001-KRN-670 | BOLT, FLANGE, 7X60 | 002 | 0,00 | 22,33 |
| 11 | 90002-KRN-670 | BOLT, FLANGE, 7X50 | 002 | 0,00 | 22,33 |
| 12 | 90005-MCJ-000 | BOLT, RECESSED, 5X28 | 002 | 0,00 | 12,65 |
| 13 | 90084-MEN-670 | CAP, 14MM | 001 | 0,00 | 73,99 |
| 14 | 90232-MB6-680 | NUT, CAP, 9MM | 004 | 0,00 | 24,52 |
| 15 | 90401-KRN-670 | WASHER, PLAIN, 9MM | 004 | 0,00 | 25,01 |
| 16 | 90446-KRN-670 | WASHER, CAMSHAFT THRUST | 002 | 0,00 | 27,83 |
| 17 | 90701-MR7-000 | DOWEL PIN, 9X14 | 004 | 0,00 | 19,26 |
| 18 | 91303-377-000 | O-RING, 13.8X2.5 | 001 | 0,00 | 26,61 |
| 19 | 91312-KE7-003 | O-RING, 19X3 (NOK) | 001 | 0,00 | 12,77 |
| 20 | 92900-080220B | BOLT, STUD, 8X22 | 002 | 0,00 | 10,90 |
| 21 | 94301-12200- | DOWEL PIN, 12X20 | 002 | 0,00 | 11,18 |
| 22 | 96001-0601400 | BOLT, FLANGE, 6X14 | 001 | 0,00 | 7,75 |
| 23 | 96001-0602800 | BOLT, FLANGE, 6X28 | 002 | 0,00 | 10,08 |

Block E-3 CAMSHAFT/VALVE

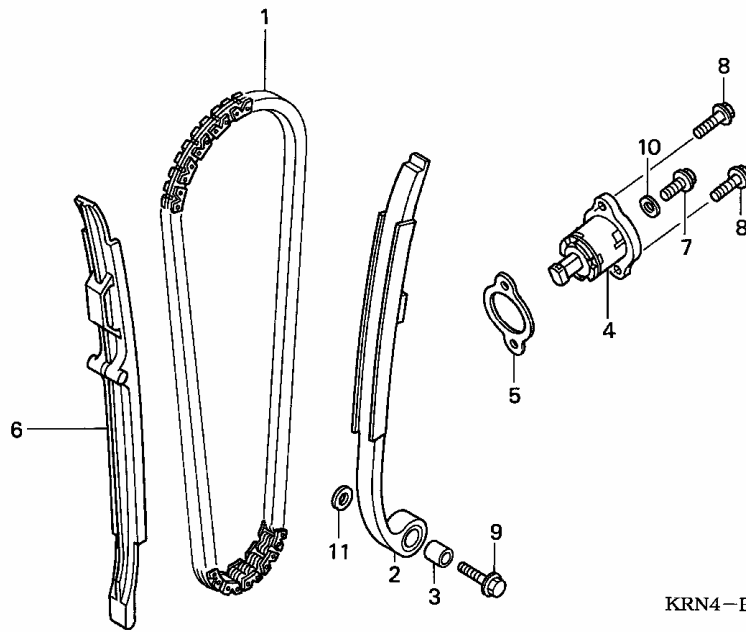


| Refnr | Part Number | Part Description | Unit Qty | Repair Qty | Price SEK (excl. VAT) |
|-------|---------------|------------------------|----------|------------|--------------------------|
| 1 | 12209-GB4-681 | SEAL, VALVE STEM (NOK) | 004 | 0,00 | 34,93 |
| 2 | 14100-KRN-670 | CAMSHAFT COMP. | 001 | 0,00 | 2 393,16 |
| 3 | 14102-KRN-670 | WEIGHT, DECOMPRESSION | 001 | 0,00 | 514,71 |
| 4 | 14105-KRN-670 | PLATE, WEIGHT SETTING | 001 | 0,00 | 33,34 |
| 5 | 14106-KRN-670 | SPRING, DECOMPRESSION | 001 | 0,00 | 19,75 |
| 6 | 14440-KRN-670 | ARM COMP., EX. ROCKER | 001 | 0,00 | 877,32 |
| 7 | 14451-KRN-670 | SHAFT, EX. ROCKER ARM | 001 | 0,00 | 205,47 |
| 8 | 14711-KRN-670 | VALVE, IN. | 002 | 0,00 | 628,56 |
| 9 | 14721-KRN-670 | VALVE, EX. | 002 | 0,00 | 339,89 |
| 10 | 14731-KRN-670 | LIFTER, VALVE | 002 | 0,00 | 279,05 |
| 11 | 14751-KRN-670 | SPRING, IN. VALVE | 002 | 0,00 | 47,42 |
| 12 | 14761-KRN-670 | SPRING, EX. VALVE | 002 | 0,00 | 56,72 |
| 13 | 14771-KRN-670 | RETAINER, VALVE SPRING | 004 | 0,00 | 42,77 |
| 14 | 14775-KRN-670 | SEAT, VALVE SPRING | 004 | 0,00 | 26,61 |
| 15 | 14781-MAT-000 | COTTER, VALVE | 008 | 0,00 | 21,10 |
| 16 | 14901-KT7-013 | SHIM, TAPPET (1.200) | 002 | 0,00 | 50,60 |
| 16 | 14902-KT7-013 | SHIM, TAPPET (1.225) | 002 | 0,00 | 50,60 |
| 16 | 14903-KT7-013 | SHIM, TAPPET (1.250) | 002 | 0,00 | 50,60 |
| 16 | 14904-KT7-013 | SHIM, TAPPET (1.275) | 002 | 0,00 | 50,60 |
| 16 | 14905-KT7-013 | SHIM, TAPPET (1.300) | 002 | 0,00 | 50,60 |
| 16 | 14906-KT7-013 | SHIM, TAPPET (1.325) | 002 | 0,00 | 50,60 |
| 16 | 14907-KT7-013 | SHIM, TAPPET (1.350) | 002 | 0,00 | 50,60 |
| 16 | 14908-KT7-013 | SHIM, TAPPET (1.375) | 002 | 0,00 | 50,60 |
| 16 | 14909-KT7-013 | SHIM, TAPPET (1.400) | 002 | 0,00 | 50,60 |
| 16 | 14910-KT7-013 | SHIM, TAPPET (1.425) | 002 | 0,00 | 50,60 |
| 16 | 14911-KT7-013 | SHIM, TAPPET (1.450) | 002 | 0,00 | 50,60 |
| 16 | 14912-KT7-013 | SHIM, TAPPET (1.475) | 002 | 0,00 | 50,60 |
| 16 | 14913-KT7-013 | SHIM, TAPPET (1.500) | 002 | 0,00 | 50,60 |
| 16 | 14914-KT7-013 | SHIM, TAPPET (1.525) | 002 | 0,00 | 50,60 |
| 16 | 14915-KT7-013 | SHIM, TAPPET (1.550) | 002 | 0,00 | 50,60 |
| 16 | 14916-KT7-013 | SHIM, TAPPET (1.575) | 002 | 0,00 | 50,60 |
| 16 | 14917-KT7-013 | SHIM, TAPPET (1.600) | 002 | 0,00 | 50,60 |
| 16 | 14918-KT7-013 | SHIM, TAPPET (1.625) | 002 | 0,00 | 50,60 |
| 16 | 14919-KT7-013 | SHIM, TAPPET (1.650) | 002 | 0,00 | 50,60 |
| 16 | 14920-KT7-013 | SHIM, TAPPET (1.675) | 002 | 0,00 | 50,60 |
| 16 | 14921-KT7-013 | SHIM, TAPPET (1.700) | 002 | 0,00 | 50,60 |
| 16 | 14922-KT7-013 | SHIM, TAPPET (1.725) | 002 | 0,00 | 50,60 |
| 16 | 14923-KT7-013 | SHIM, TAPPET (1.750) | 002 | 0,00 | 50,60 |
| 16 | 14924-KT7-013 | SHIM, TAPPET (1.775) | 002 | 0,00 | 50,60 |
| 16 | 14925-KT7-013 | SHIM, TAPPET (1.800) | 002 | 0,00 | 50,60 |
| 16 | 14926-KT7-013 | SHIM, TAPPET (1.825) | 002 | 0,00 | 50,60 |
| 16 | 14927-KT7-013 | SHIM, TAPPET (1.850) | 002 | 0,00 | 50,60 |
| 16 | 14928-KT7-013 | SHIM, TAPPET (1.875) | 002 | 0,00 | 50,60 |
| 16 | 14929-KT7-013 | SHIM, TAPPET (1.900) | 002 | 0,00 | 50,60 |
| 16 | 14930-KT7-013 | SHIM, TAPPET (1.925) | 002 | 0,00 | 50,60 |
| 16 | 14931-KT7-013 | SHIM, TAPPET (1.950) | 002 | 0,00 | 50,60 |
| 16 | 14932-KT7-013 | SHIM, TAPPET (1.975) | 002 | 0,00 | 50,60 |
| 16 | 14933-KT7-013 | SHIM, TAPPET (2.000) | 002 | 0,00 | 50,60 |
| 16 | 14934-KT7-013 | SHIM, TAPPET (2.025) | 002 | 0,00 | 50,60 |
| 16 | 14935-KT7-013 | SHIM, TAPPET (2.050) | 002 | 0,00 | 50,60 |

| | | | | | |
|----|---------------|----------------------------|-----|------|--------|
| 17 | 14967-KT7-013 | SHIM, TAPPET (2.850) | 002 | 0,00 | 50,60 |
| 17 | 14968-KT7-013 | SHIM, TAPPET (2.875) | 002 | 0,00 | 50,60 |
| 17 | 14969-KT7-013 | SHIM, TAPPET (2.900) | 002 | 0,00 | 50,60 |
| 18 | 91007-KRN-671 | BEARING, BALL RADIAL, 6905 | 001 | 0,00 | 117,57 |
| 19 | 96001-0601200 | BOLT, FLANGE, 6X12 | 001 | 0,00 | 7,75 |

Block E-4 CAM CHAIN/TENSIONER

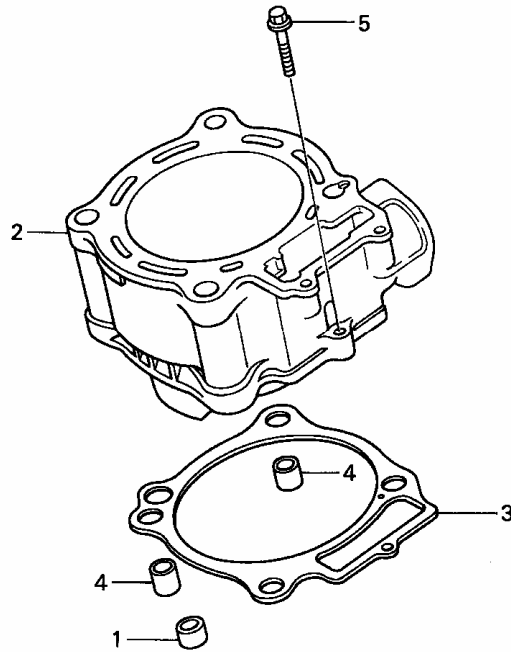
FR.



KRN4-E0400

| Refnr | Part Number | Part Description | Unit Qty | Repair Qty | Price SEK (excl. VAT) |
|-------|---------------|----------------------------|----------|------------|--------------------------|
| 1 | 14401-KRN-671 | CHAIN, CAM | 001 | 0,00 | 368,05 |
| 2 | 14510-KRN-670 | TENSIONER COMP., CAM CHAIN | 001 | 0,00 | 373,43 |
| 3 | 14515-KF0-000 | COLLAR, TENSIONER, 6X9 | 001 | 0,00 | 20,36 |
| 4 | 14520-KRN-670 | LIFTER ASSY., TENSIONER | 001 | 0,00 | 482,14 |
| 5 | 14560-MEN-671 | GASKET, TENSIONER LIFTER | 001 | 0,00 | 37,02 |
| 6 | 14620-KRN-670 | GUIDE, CAM CHAIN | 001 | 0,00 | 132,87 |
| 7 | 90004-GHB-600 | BOLT, FLANGE, 6X10 (NSHF) | 001 | 0,00 | 21,71 |
| 8 | 90004-GHB-630 | BOLT, FLANGE, 6X16 (NSHF) | 002 | 0,00 | 9,34 |
| 9 | 90088-MEB-670 | BOLT, FLANGE, 6X25 | 001 | 0,00 | 12,29 |
| 10 | 90442-397-000 | WASHER, SEALING, 6MM | 001 | 0,00 | 4,81 |
| 11 | 90482-567-000 | WASHER, SPECIAL, 6MM | 001 | 0,00 | 6,61 |

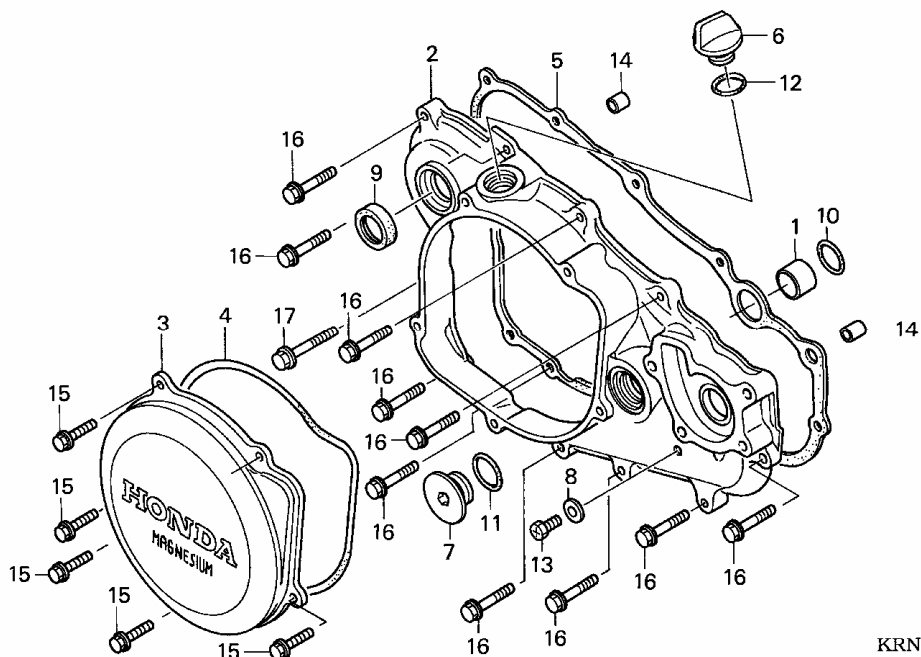
Block E-5 CYLINDER



KRN4-E0500

| Refnr | Part Number | Part Description | Unit Qty | Repair Qty | Price SEK (excl. VAT) |
|-------|---------------|--------------------------|----------|------------|--------------------------|
| 1 | 11102-KRN-670 | COLLAR, WATER PASS, 16MM | 001 | 0,00 | 27,34 |
| 2 | 12100-KRN-670 | CYLINDER | 001 | 0,00 | 3 137,86 |
| 3 | 12191-KRN-671 | GASKET, CYLINDER | 001 | 0,00 | 51,46 |
| 4 | 94301-12200- | DOWEL PIN, 12X20 | 002 | 0,00 | 11,18 |
| 5 | 96001-0602800 | BOLT, FLANGE, 6X28 | 001 | 0,00 | 10,08 |

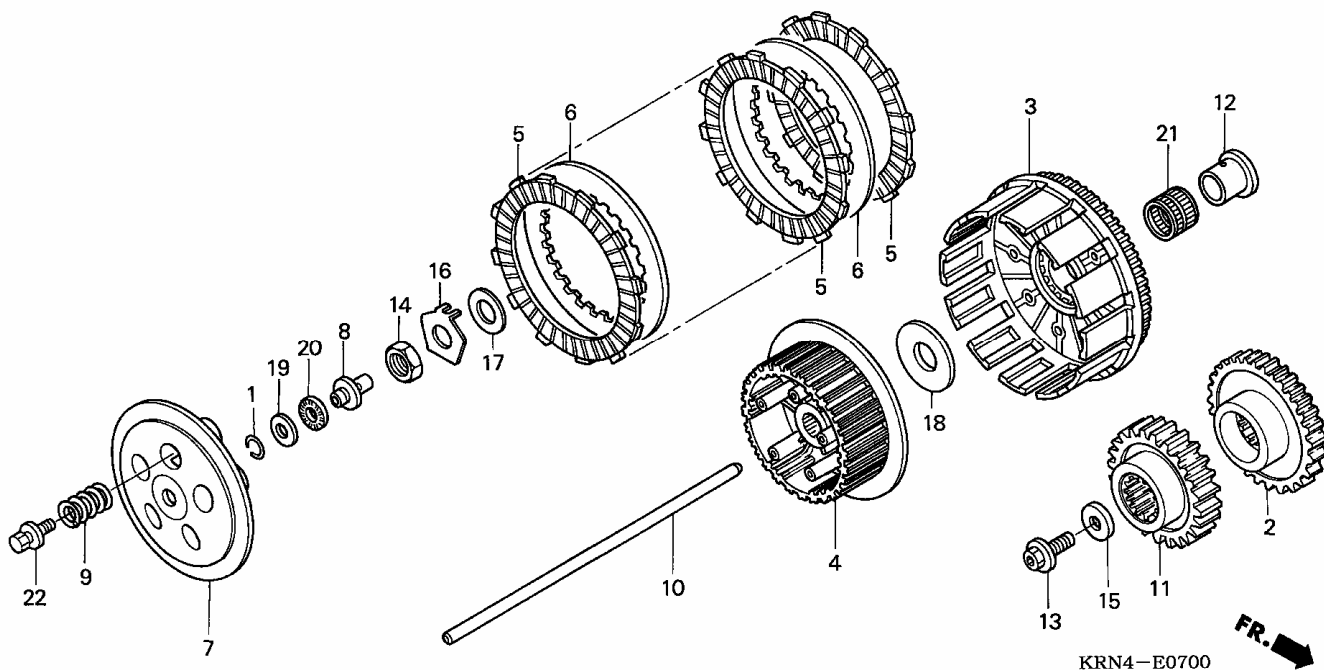
Block E-6 R. CRANKCASE COVER



KRN4-E0600A

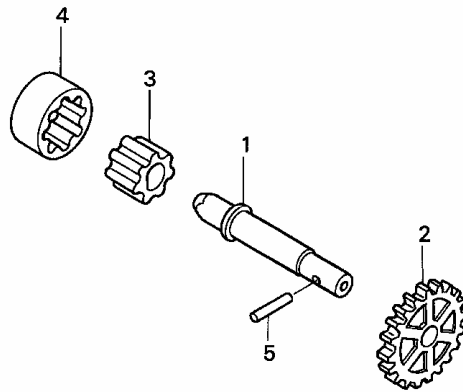
| Refnr | Part Number | Part Description | Unit Qty | Repair Qty | Price SEK (excl. VAT) |
|-------|---------------|---------------------------|----------|------------|--------------------------|
| 1 | 11102-KRN-670 | COLLAR, WATER PASS, 16MM | 001 | 0,00 | 27,34 |
| 2 | 11331-KRN-670 | COVER, R. CRANKCASE | 001 | 0,00 | 1 265,16 |
| 3 | 11351-KRN-670 | COVER, CLUTCH | 001 | 0,00 | 581,18 |
| 4 | 11352-KRN-671 | GASKET, CLUTCH COVER | 001 | 0,00 | 53,79 |
| 5 | 11394-KRN-670 | GASKET, R. COVER | 001 | 0,00 | 134,34 |
| 6 | 15611-KA4-710 | CAP, OIL FILLER | 001 | 0,00 | 73,99 |
| 7 | 90087-KW3-000 | CAP, 30MM | 001 | 0,00 | 105,20 |
| 8 | 90463-ML7-000 | WASHER, SEALING, 6.5MM | 001 | 0,00 | 23,30 |
| 9 | 91205-KA3-712 | OIL SEAL, 16.5X25X5 (NOK) | 001 | 0,00 | 31,63 |
| 10 | 91304-MJ0-003 | O-RING, 15.8X2.4 (SHOWA) | 001 | 0,00 | 18,65 |
| 11 | 91305-KF0-003 | O-RING, 27X2 (ARAI) | 001 | 0,00 | 6,90 |
| 12 | 91307-035-000 | O-RING, 18X3 | 001 | 0,00 | 11,55 |
| 13 | 92301-060100A | BOLT, RECESSED, 6X10 | 001 | 0,00 | 5,41 |
| 14 | 94301-08140- | DOWEL PIN, 8X14 | 002 | 0,00 | 10,08 |
| 15 | 96001-0602000 | BOLT, FLANGE, 6X20 | 005 | 0,00 | 7,75 |
| 16 | 96001-0602800 | BOLT, FLANGE, 6X28 | 010 | 0,00 | 10,08 |
| 17 | 96001-0603500 | BOLT, FLANGE, 6X35 | 001 | 0,00 | 7,05 |

Block E-7 CLUTCH



| Refnr | Part Number | Part Description | Unit Qty | Repair Qty | Price SEK (excl. VAT) |
|-------|---------------|----------------------------------|----------|------------|--------------------------|
| 1 | 13115-147-000 | CLIP, PISTON PIN, 10MM | 001 | 0,00 | 8,12 |
| 2 | 13415-KRN-670 | GEAR, BALANCER DRIVE (32T) | 001 | 0,00 | 474,93 |
| 3 | 22100-KRN-670 | OUTER COMP., CLUTCH | 001 | 0,00 | 2 531,38 |
| 4 | 22120-KZ4-A90 | CENTER, CLUTCH | 001 | 0,00 | 586,45 |
| 5 | 22201-KRN-670 | DISK, CLUTCH FRICTION | 008 | 0,00 | 128,34 |
| 6 | 22321-KF0-770 | PLATE, CLUTCH | 007 | 0,00 | 68,60 |
| 7 | 22351-KZ4-A90 | PLATE, CLUTCH PRESSURE | 001 | 0,00 | 424,85 |
| 8 | 22352-KRN-670 | PIECE, CLUTCH LIFTER | 001 | 0,00 | 150,63 |
| 9 | 22401-KZ4-A90 | SPRING, CLUTCH | 005 | 0,00 | 22,81 |
| 10 | 22850-KZ4-A90 | ROD, CLUTCH LIFTER | 001 | 0,00 | 92,71 |
| 11 | 23121-KRN-670 | GEAR, PRIMARY DRIVE (18T) | 001 | 0,00 | 414,81 |
| 12 | 28237-KZ4-A10 | COLLAR, CLUTCH OUTER | 001 | 0,00 | 163,35 |
| 13 | 90013-MEB-670 | BOLT, SPECIAL, 12X28 | 001 | 0,00 | 53,66 |
| 14 | 90235-KA4-000 | NUT, 18MM | 001 | 0,00 | 37,63 |
| 15 | 90402-KW6-960 | WASHER, PLAIN, 12MM | 001 | 0,00 | 46,69 |
| 16 | 90441-HA2-670 | WASHER, LOCK, 18MM | 001 | 0,00 | 24,52 |
| 17 | 90456-KA4-000 | WASHER, THRUST, 18X32 | 001 | 0,00 | 16,69 |
| 18 | 90456-KS6-000 | WASHER, THRUST, 20MM | 001 | 0,00 | 48,40 |
| 19 | 90608-072-000 | WASHER, 12MM | 001 | 0,00 | 43,75 |
| 20 | 91001-147-003 | BEARING, NEEDLE, 12MM (NTN) | 001 | 0,00 | 49,99 |
| 21 | 91011-KS6-003 | BEARING, NEEDLE, 25X29X22 (TOYO) | 001 | 0,00 | 150,14 |
| 22 | 93404-0602008 | BOLT-WASHER, 6X20 | 005 | 0,00 | 7,75 |

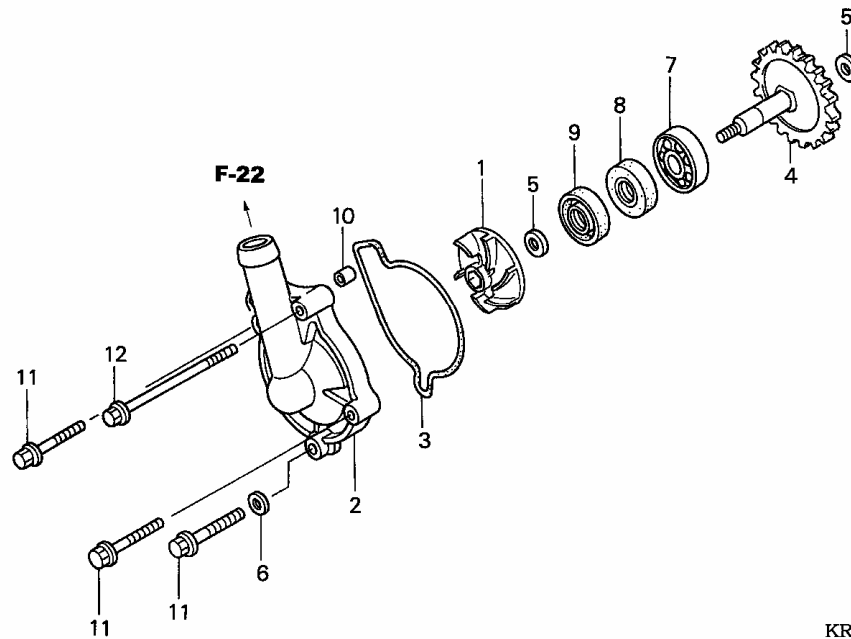
Block E-8 OIL PUMP



KRN4-E0800

| Refnr | Part Number | Part Description | Unit Qty | Repair Qty | Price SEK (excl. VAT) |
|-------|---------------|-----------------------------|----------|------------|--------------------------|
| 1 | 15111-KRN-670 | SHAFT, OIL PUMP | 001 | 0,00 | 196,41 |
| 2 | 15133-KRN-670 | GEAR, OIL PUMP DRIVEN (18T) | 001 | 0,00 | 223,34 |
| 3 | 15331-324-000 | ROTOR, OIL PUMP INNER | 001 | 0,00 | 63,70 |
| 4 | 15332-324-000 | ROTOR, OIL PUMP OUTER | 001 | 0,00 | 83,05 |
| 5 | 96220-30178- | ROLLER, 3X17.8 | 001 | 0,00 | 4,99 |

Block E-9 WATER PUMP

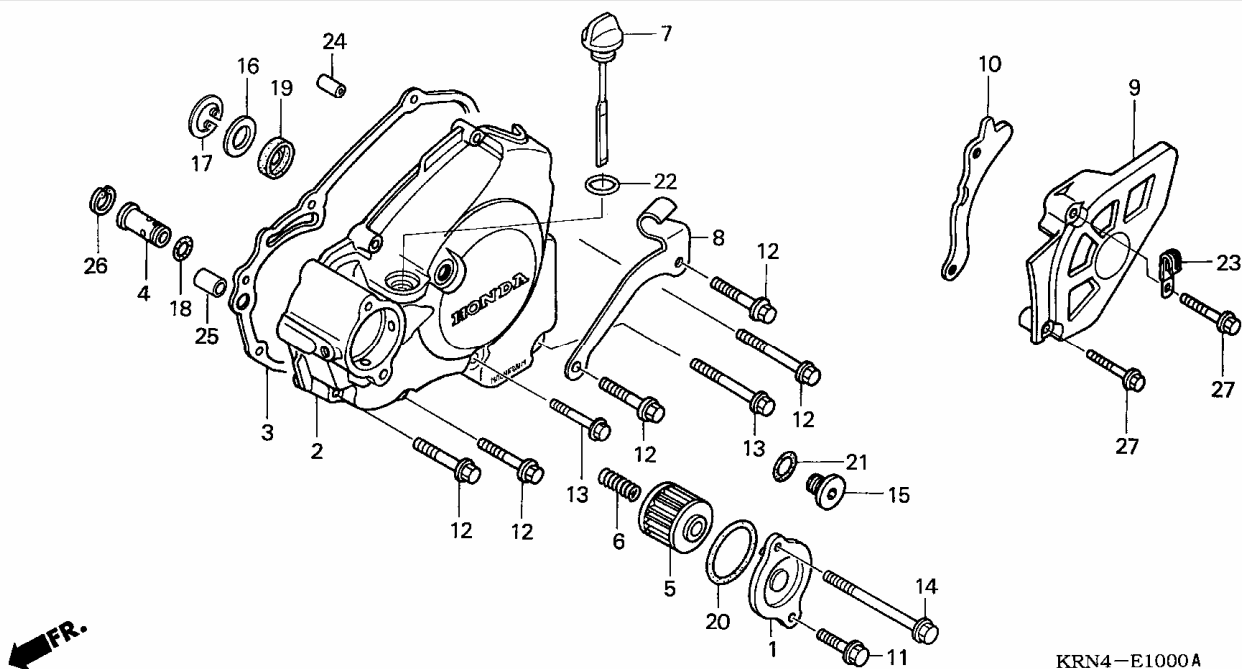


KRN4-E0900

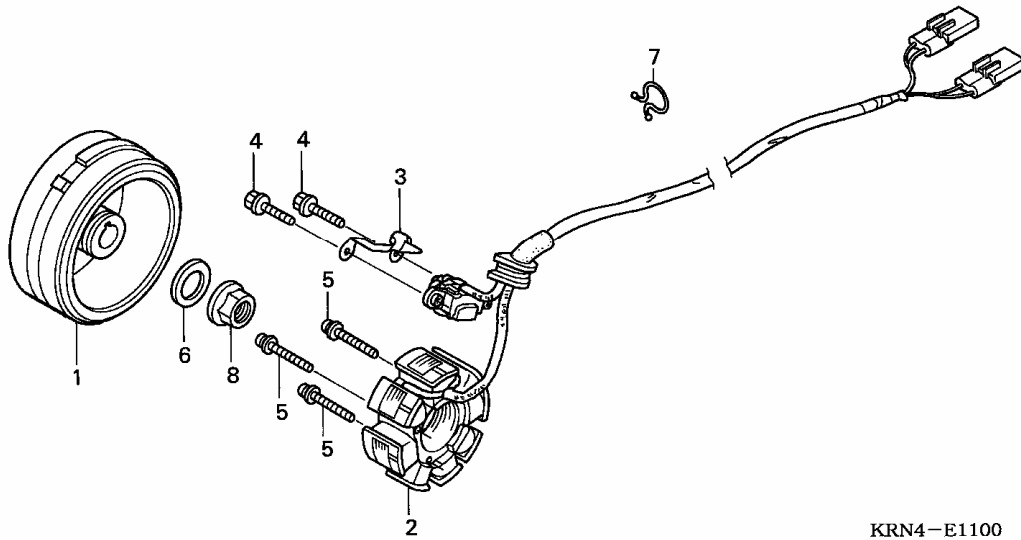


| Refnr | Part Number | Part Description | Unit Qty | Repair Qty | Price SEK (excl. VAT) |
|-------|---------------|-------------------------------------|----------|------------|--------------------------|
| 1 | 19215-KRN-670 | IMPELLER, WATER PUMP | 001 | 0,00 | 210,24 |
| 2 | 19221-KRN-670 | COVER, WATER PUMP | 001 | 0,00 | 426,07 |
| 3 | 19226-KRN-670 | GASKET, WATER PUMP | 001 | 0,00 | 28,81 |
| 4 | 19240-KRN-670 | GEAR COMP., WATER PUMP (22T) | 001 | 0,00 | 451,54 |
| 5 | 90447-KE1-000 | WASHER, SEALING, 7MM | 002 | 0,00 | 17,43 |
| 6 | 90463-ML7-000 | WASHER, SEALING, 6.5MM | 001 | 0,00 | 23,30 |
| 7 | 91001-KA4-003 | BEARING, RADIAL BALL, 12X28X7 (NTN) | 001 | 0,00 | 113,66 |
| 8 | 91201-148-003 | OIL SEAL, 12X22X5 (ARAI) | 001 | 0,00 | 25,38 |
| 9 | 91211-KRN-671 | SEAL, WATER PUMP | 001 | 0,00 | 45,21 |
| 10 | 91320-KE1-000 | DOWEL PIN | 001 | 0,00 | 21,71 |
| 11 | 96001-0602800 | BOLT, FLANGE, 6X28 | 003 | 0,00 | 10,08 |
| 12 | 96001-0607000 | BOLT, FLANGE, 6X70 | 001 | 0,00 | 8,70 |

Block E-10 L. CRANKCASE COVER



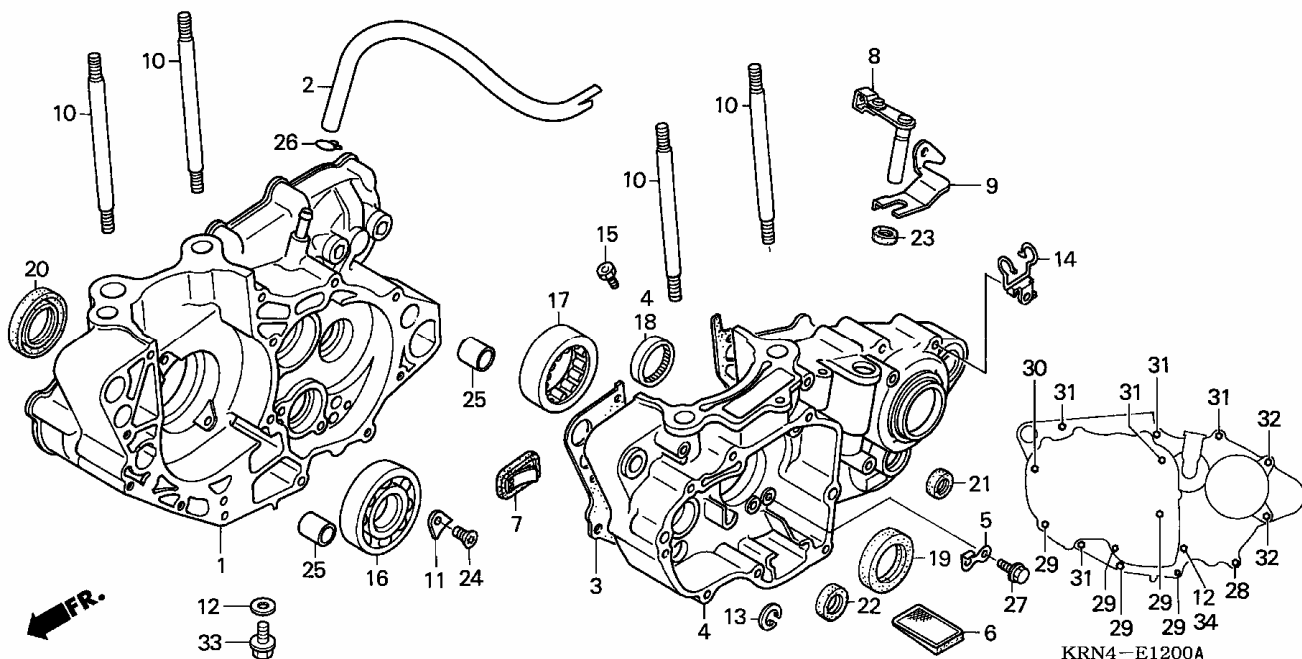
| Refnr | Part Number | Part Description | Unit Qty | Repair Qty | Price SEK (excl. VAT) |
|-------|---------------|---------------------------------|----------|------------|--------------------------|
| 1 | 11333-KRN-670 | COVER, OIL FILTER | 001 | 0,00 | 209,75 |
| 2 | 11340-KRN-670 | COVER COMP., L. CRANKCASE | 001 | 0,00 | 1 570,98 |
| 3 | 11395-KRN-670 | GASKET, L. COVER | 001 | 0,00 | 72,77 |
| 4 | 15220-MEB-770 | VALVE ASSY., RELIEF | 001 | 0,00 | 162,74 |
| 5 | 15412-MEN-671 | FILTER COMP., ENGINE OIL | 001 | 0,00 | 119,71 |
| 6 | 15414-MEB-670 | SPRING, OIL FILTER | 001 | 0,00 | 24,40 |
| 7 | 15650-KRN-670 | GAUGE, OIL LEVEL | 001 | 0,00 | 101,41 |
| 8 | 22838-KRN-670 | RECEIVER, CLUTCH CABLE | 001 | 0,00 | 92,59 |
| 9 | 23810-KRN-670 | COVER COMP., DRIVE SPROCKET | 001 | 0,00 | 148,42 |
| 10 | 23812-KRN-670 | GUIDE, DRIVE CHAIN | 001 | 0,00 | 65,05 |
| 11 | 90004-GHB-630 | BOLT, FLANGE, 6X16 (NSHF) | 001 | 0,00 | 9,34 |
| 12 | 90004-GHB-690 | BOLT, FLANGE, 6X32 (NSHF) | 005 | 0,00 | 10,32 |
| 13 | 90004-GHB-710 | BOLT, FLANGE, 6X40 (NSHF) | 002 | 0,00 | 10,82 |
| 14 | 90004-GHB-780 | BOLT, FLANGE, 6X75 (NSHF) | 001 | 0,00 | 24,04 |
| 15 | 90084-MEN-670 | CAP, 14MM | 001 | 0,00 | 73,99 |
| 16 | 90451-459-770 | WASHER, THRUST, 13MM | 001 | 0,00 | 13,39 |
| 17 | 90602-MEB-670 | CIRCLIP, SPECIAL INTERNAL, 24MM | 001 | 0,00 | 19,75 |
| 18 | 90751-GK1-003 | O-RING, 8.5X1.7 | 001 | 0,00 | 9,10 |
| 19 | 91204-KRN-671 | OIL SEAL, 10X21X5 | 001 | 0,00 | 31,14 |
| 20 | 91302-PA9-003 | O-RING, 39.8X2.2 (ARAI) | 001 | 0,00 | 31,28 |
| 21 | 91303-377-000 | O-RING, 13.8X2.5 | 001 | 0,00 | 26,61 |
| 22 | 91307-035-000 | O-RING, 18X3 | 001 | 0,00 | 11,55 |
| 23 | 91410-679-000 | CLIP, 2X60 | 001 | 0,00 | 43,63 |
| 24 | 94301-08140- | DOWEL PIN, 8X14 | 001 | 0,00 | 10,08 |
| 25 | 94301-10160- | DOWEL PIN, 10X16 | 001 | 0,00 | 11,86 |
| 26 | 94520-14000- | CIRCLIP, INTERNAL, 14MM | 001 | 0,00 | 3,75 |
| 27 | 96001-0603007 | BOLT, FLANGE, 6X30 | 002 | 0,00 | 9,12 |



KRN4-E1100

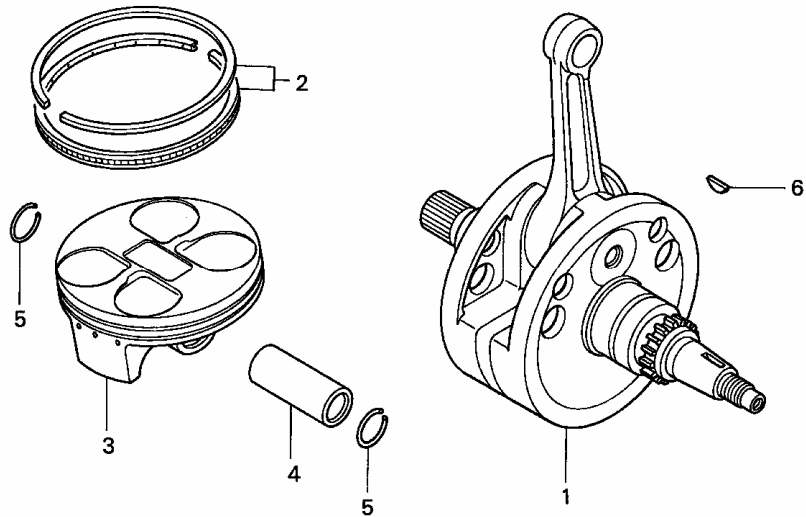
| Refnr | Part Number | Part Description | Unit Qty | Repair Qty | Price SEK (excl. VAT) |
|-------|---------------|-----------------------|----------|------------|--------------------------|
| 1 | 31100-KRN-670 | GENERATOR ASSY., A.C. | 001 | 0,00 | 3 950,14 |
| 2 | 31120-KRN-670 | STATOR COMP. | 001 | 0,00 | 2 110,98 |
| 3 | 32112-KRN-670 | CLAMPER, CORD | 001 | 0,00 | 33,22 |
| 4 | 90005-896-000 | BOLT, FLANGE, 5X16 | 002 | 0,00 | 11,44 |
| 5 | 90010-MEB-670 | SCREW-WASHER, 4X24 | 003 | 0,00 | 6,90 |
| 6 | 90437-611-000 | WASHER, PLAIN, 12MM | 001 | 0,00 | 12,70 |
| 7 | 90630-751-000 | CLIP, PURSE LOCK | 001 | 0,00 | 23,78 |
| 8 | 94050-12000- | NUT, FLANGE, 12MM | 001 | 0,00 | 11,18 |

Block E-12 CRANKCASE



| Refnr | Part Number | Part Description | Unit Qty | Repair Qty | Price SEK (excl. VAT) |
|-------|---------------|--------------------------------|----------|------------|-----------------------|
| 1 | 11100-KRN-670 | CRANKCASE COMP., R. | 001 | 0,00 | 2 857,88 |
| 2 | 11105-KRN-670 | TUBE, BREATHER | 001 | 0,00 | 69,82 |
| 3 | 11191-KRN-670 | GASKET, CRANKCASE | 001 | 0,00 | 124,18 |
| 4 | 11200-KRN-670 | CRANKCASE COMP., L. | 001 | 0,00 | 3 233,48 |
| 5 | 11206-KRN-670 | PLATE, CAM CHAIN GUIDE | 001 | 0,00 | 24,04 |
| 6 | 15421-KK0-000 | SCREEN, OIL FILTER | 001 | 0,00 | 61,74 |
| 7 | 18601-MBW-003 | VALVE COMP., REED | 001 | 0,00 | 122,34 |
| 8 | 22810-KRN-670 | LEVER COMP., CLUTCH LIFTER | 001 | 0,00 | 248,93 |
| 9 | 22813-KRN-670 | PLATE, CLUTCH LEVER | 001 | 0,00 | 26,00 |
| 10 | 90031-KRN-670 | BOLT, STUD, 10X135 | 004 | 0,00 | 49,13 |
| 11 | 90441-KRN-670 | PLATE, BEARING HOLDER | 002 | 0,00 | 22,69 |
| 12 | 90474-333-000 | WASHER, SEALING, 8MM | 002 | 0,00 | 20,86 |
| 13 | 90604-MEB-670 | CIRCLIP, SPECIAL, 33MM | 001 | 0,00 | 27,71 |
| 14 | 90610-MEB-670 | GUIDE COMP., TUBE | 001 | 0,00 | 80,47 |
| 15 | 90901-KRN-670 | JET, OIL, #100 | 001 | 0,00 | 63,34 |
| 16 | 91001-KRN-671 | BEARING, RADIAL BALL, 30X72X16 | 001 | 0,00 | 226,64 |
| 17 | 91002-KRN-671 | BEARING, SPECIAL ROLLER | 001 | 0,00 | 411,38 |
| 18 | 91022-KA4-740 | BEARING, SHELL, 33X38X8 (NTN) | 001 | 0,00 | 98,10 |
| 19 | 91201-MEB-671 | OIL SEAL, 35X52X7 (ARAI) | 001 | 0,00 | 113,16 |
| 20 | 91202-MEB-671 | OIL SEAL, 39X56X7 (ARAI) | 001 | 0,00 | 113,16 |
| 21 | 91203-KA4-771 | OIL SEAL, 14X22X5 (NOK) | 001 | 0,00 | 36,90 |
| 22 | 91203-MEB-671 | OIL SEAL, 20X33X5 (ARAI) | 001 | 0,00 | 41,79 |
| 23 | 91205-MEB-671 | OIL SEAL, 12X18X3 (ARAI) | 001 | 0,00 | 27,59 |
| 24 | 90003-KRN-670 | SCREW, SPECIAL FLAT, 6X12 | 002 | 0,00 | 13,51 |
| 25 | 94301-14200- | DOWEL PIN, 14X20 | 002 | 0,00 | 11,18 |
| 26 | 95002-02100- | CLIP, TUBE (B10) | 001 | 0,00 | 4,58 |
| 27 | 96001-0601200 | BOLT, FLANGE, 6X12 | 001 | 0,00 | 7,75 |
| 28 | 96001-0604000 | BOLT, FLANGE, 6X40 | 001 | 0,00 | 9,39 |
| 29 | 96001-0604500 | BOLT, FLANGE, 6X45 | 005 | 0,00 | 10,90 |
| 30 | 96001-0606000 | BOLT, FLANGE, 6X60 | 001 | 0,00 | 10,90 |
| 31 | 96001-0607000 | BOLT, FLANGE, 6X70 | 005 | 0,00 | 8,70 |
| 32 | 96001-0607500 | BOLT, FLANGE, 6X75 | 002 | 0,00 | 9,12 |
| 33 | 96300-0802500 | BOLT, FLANGE, 8X25 | 001 | 0,00 | 7,75 |
| 34 | 96300-0807000 | BOLT, FLANGE, 8X70 | 001 | 0,00 | 12,14 |

Block E-13 CRANKSHAFT/PISTON

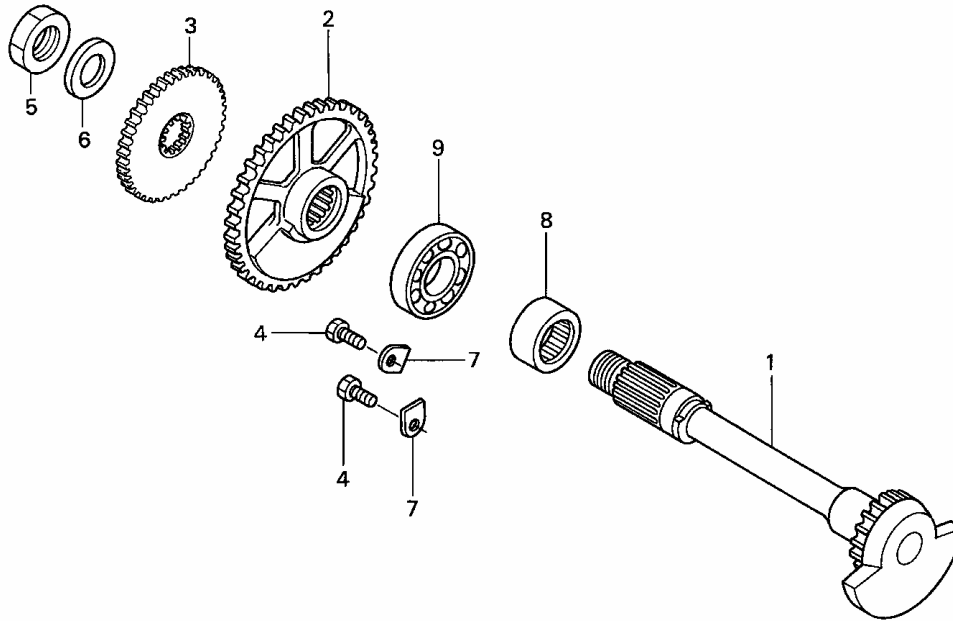


FR.

KRN4-E1300

| Refnr | Part Number | Part Description | Unit Qty | Repair Qty | Price SEK (excl. VAT) |
|-------|---------------|------------------------------|----------|------------|--------------------------|
| 1 | 13000-KRN-670 | CRANKSHAFT COMP. | 001 | 0,00 | 4 703,41 |
| 2 | 13011-KRN-670 | RING SET, PISTON (STD.) | 001 | 0,00 | 519,60 |
| 3 | 13101-KRN-670 | PISTON | 001 | 0,00 | 475,29 |
| 4 | 13111-KRN-670 | PIN, PISTON | 001 | 0,00 | 161,52 |
| 5 | 13115-KM7-700 | CLIP, PISTON PIN, 16MM | 002 | 0,00 | 15,10 |
| 6 | 13331-360-000 | KEY, SPECIAL WOODRUFF, 25X14 | 001 | 0,00 | 22,08 |

Block E-14 BALANCER

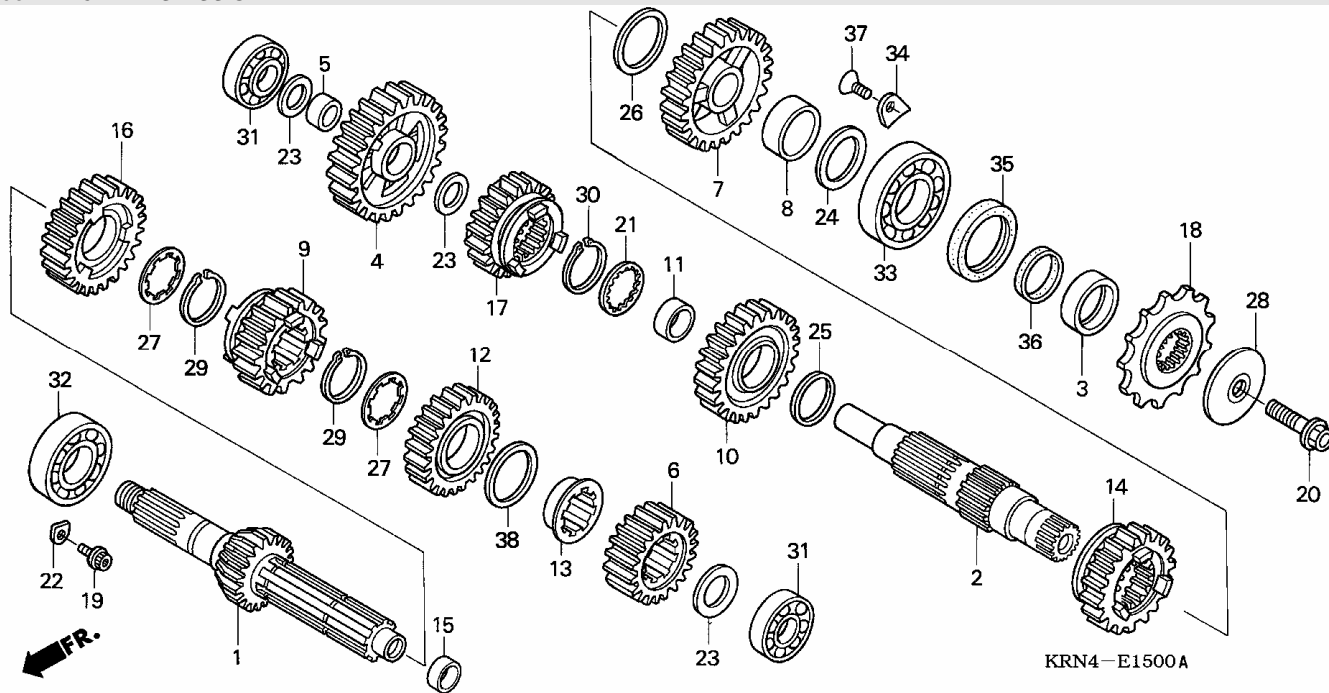


FR.

KRN4-E1400

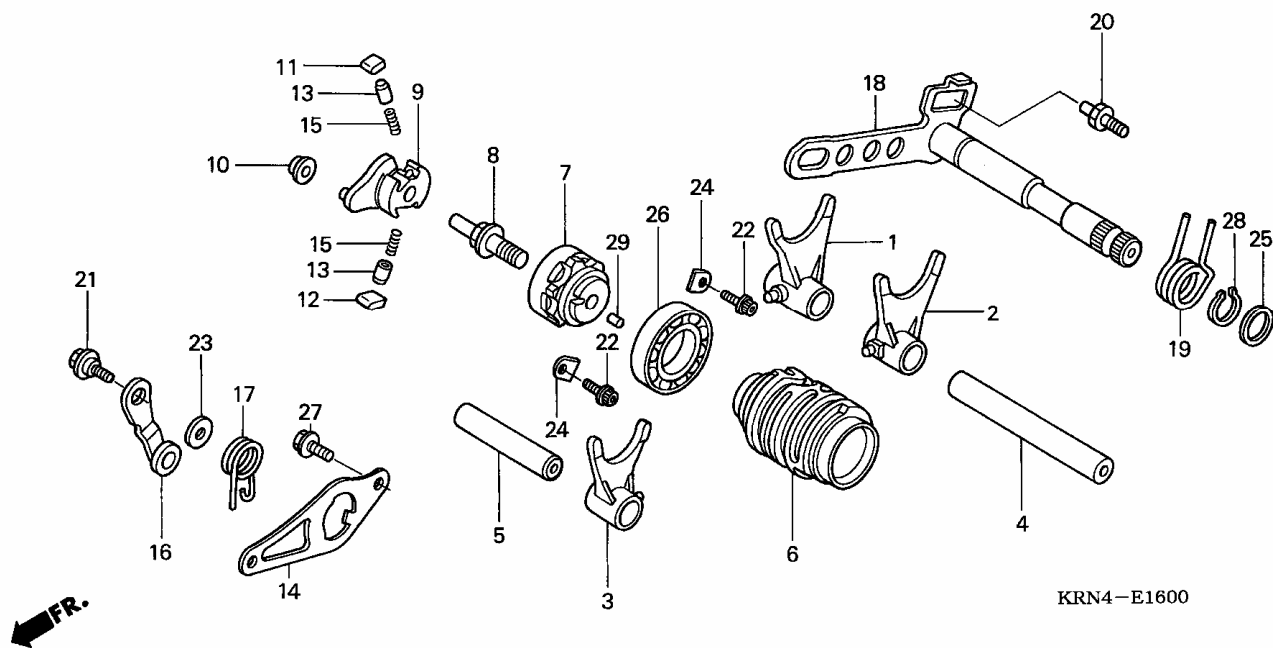
| Refnr | Part Number | Part Description | Unit Qty | Repair Qty | Price SEK (excl. VAT) |
|-------|---------------|-----------------------------------|----------|------------|--------------------------|
| 1 | 13420-KRN-670 | SHAFT COMP., BALANCER | 001 | 0,00 | 1 332,37 |
| 2 | 13422-KRN-670 | GEAR, BALANCER DRIVEN (32T) | 001 | 0,00 | 379,92 |
| 3 | 19245-KRN-670 | GEAR, WATER PUMP DRIVE (19T) | 001 | 0,00 | 210,24 |
| 4 | 90038-KY4-900 | BOLT, HEX., 6X16 | 002 | 0,00 | 6,29 |
| 5 | 90204-MN5-000 | NUT, HEX., 14MM | 001 | 0,00 | 24,52 |
| 6 | 90433-KE1-000 | WASHER, 14MM | 001 | 0,00 | 6,04 |
| 7 | 90441-KA4-700 | PLATE, BEARING HOLDER | 002 | 0,00 | 18,28 |
| 8 | 91004-MEB-671 | BEARING, SPECIAL ROLLER, 20X32X14 | 001 | 0,00 | 99,09 |
| 9 | 91005-MEB-671 | BEARING, RADIAL BALL, 6003 TMB | 001 | 0,00 | 72,27 |

Block E-15 TRANSMISSION



| Refnr | Part Number | Part Description | Unit Qty | Repair Qty | Price SEK (excl. VAT) |
|-------|---------------|----------------------------------|----------|------------|-----------------------|
| 1 | 23210-KRN-670 | MAINSHAFT COMP. (14T) | 001 | 0,00 | 1 290,75 |
| 2 | 23221-KRN-670 | SHAFT, COUNTER | 001 | 0,00 | 999,26 |
| 3 | 23225-KSR-A00 | COLLAR, COUNTERSHAFT | 001 | 0,00 | 104,35 |
| 4 | 23411-KRN-670 | GEAR, COUNTERSHAFT LOW (30T) | 001 | 0,00 | 543,85 |
| 5 | 23413-KZ4-J00 | COLLAR, 17MM | 001 | 0,00 | 67,62 |
| 6 | 23421-KRN-670 | GEAR, MAINSHAFT SECOND (16T) | 001 | 0,00 | 278,55 |
| 7 | 23431-KRN-670 | GEAR, COUNTERSHAFT SECOND (28T) | 001 | 0,00 | 516,05 |
| 8 | 23432-KSR-A00 | COLLAR, 24MM | 001 | 0,00 | 62,60 |
| 9 | 23441-KRN-670 | GEAR, MAINSHAFT THIRD (20T) | 001 | 0,00 | 565,02 |
| 10 | 23451-KRN-670 | GEAR, COUNTERSHAFT THIRD (29T) | 001 | 0,00 | 516,05 |
| 11 | 23452-KRN-670 | COLLAR, COUNTERSHAFT THIRD GEAR | 001 | 0,00 | 80,23 |
| 12 | 23461-KRN-670 | GEAR, MAINSHAFT FOURTH (22T) | 001 | 0,00 | 501,37 |
| 13 | 23462-KZ4-J00 | COLLAR, MAINSHAFT FOURTH GEAR | 001 | 0,00 | 109,61 |
| 14 | 23471-KRN-670 | GEAR, COUNTERSHAFT FOURTH (27T) | 001 | 0,00 | 565,02 |
| 15 | 23472-KZ4-000 | COLLAR, 20MM | 001 | 0,00 | 67,62 |
| 16 | 23481-KRN-670 | GEAR, MAINSHAFT FIFTH (24T) | 001 | 0,00 | 488,14 |
| 17 | 23491-KRN-670 | GEAR, COUNTERSHAFT FIFTH (25T) | 001 | 0,00 | 592,93 |
| 18 | 23801-KSR-A00 | SPROCKET, DRIVE (13T) | 001 | 0,00 | 175,68 |
| 19 | 90071-MF5-000 | BOLT, FLANGE SOCKET, 6X14 | 002 | 0,00 | 21,71 |
| 20 | 90112-413-000 | BOLT, UBS, 8X33 | 001 | 0,00 | 25,38 |
| 21 | 90404-KW3-000 | WASHER, THRUST INVOLUTE, 22X21X1 | 001 | 0,00 | 7,51 |
| 22 | 90441-KA4-700 | PLATE, BEARING HOLDER | 002 | 0,00 | 18,28 |
| 23 | 90446-357-000 | WASHER, THRUST, 17.2MM | 003 | 0,00 | 45,21 |
| 24 | 90452-KSR-A00 | WASHER, 24X32X1 | 001 | 0,00 | 25,14 |
| 25 | 90452-KZ4-000 | WASHER, THRUST, 22X30X1 | 001 | 0,00 | 23,42 |
| 26 | 90453-KSR-A00 | WASHER, 22X32X1.5 | 001 | 0,00 | 21,96 |
| 27 | 90461-444-000 | WASHER, SPLINE, 20MM | 002 | 0,00 | 29,42 |
| 28 | 90501-KZ4-L30 | WASHER, SPRING, 8X40 | 001 | 0,00 | 40,81 |
| 29 | 90601-360-000 | SET RING, 20MM | 002 | 0,00 | 37,63 |
| 30 | 90602-360-000 | SET RING, 22MM | 001 | 0,00 | 17,06 |
| 31 | 91001-KZ4-J11 | BEARING, RADIAL BALL, 17X35X10 | 002 | 0,00 | 154,66 |
| 32 | 91004-KRN-671 | BEARING, BALL RADIAL, 22X47X14 | 001 | 0,00 | 134,34 |
| 33 | 91005-KSR-A01 | BEARING, RADIAL BALL, 22X47X14 | 001 | 0,00 | 210,36 |
| 34 | 91012-KA3-710 | PLATE, COUNTERSHAFT BEARING | 002 | 0,00 | 29,79 |
| 35 | 91201-KSR-A01 | OIL SEAL, 28X37X7 | 001 | 0,00 | 69,09 |
| 36 | 91301-KSR-A01 | D-RING, 22MM | 001 | 0,00 | 23,42 |
| 37 | 93600-060100H | SCREW, FLAT, 6X10 | 002 | 0,00 | 3,75 |
| 38 | 90401-KZ4-J00 | WASHER, THRUST, 23.1X28X1 | 001 | 0,00 | 16,69 |

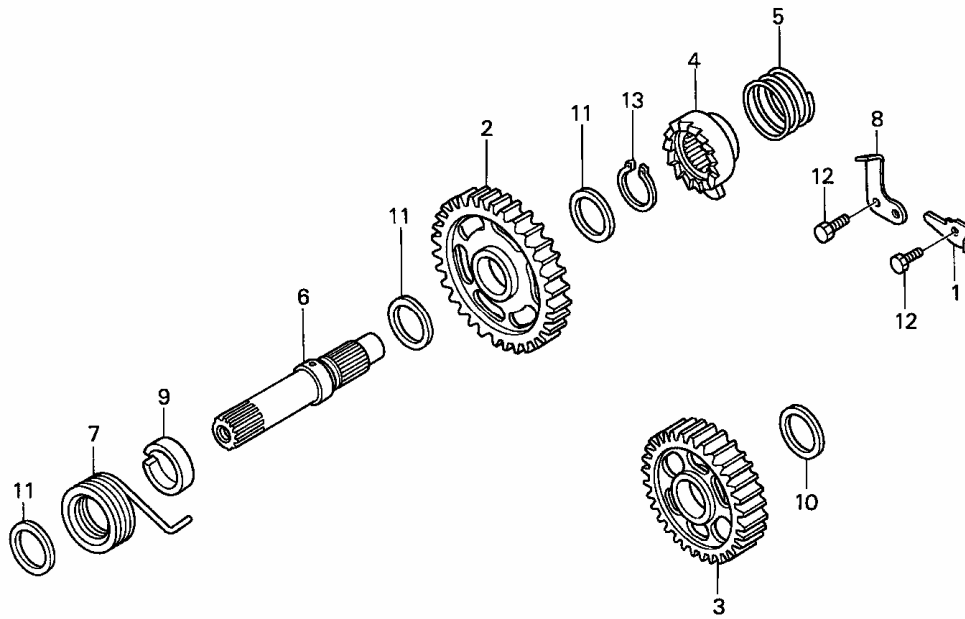
Block E-16 GEARSHIFT DRUM



KRN4-E1600

| Refnr | Part Number | Part Description | Unit Qty | Repair Qty | Price SEK (excl. VAT) |
|-------|---------------|---------------------------------|----------|------------|--------------------------|
| 1 | 24211-KRN-670 | FORK, R. GEARSHIFT | 001 | 0,00 | 468,55 |
| 2 | 24221-KRN-670 | FORK, L. GEARSHIFT | 001 | 0,00 | 468,55 |
| 3 | 24231-KRN-670 | FORK, CENTER GEARSHIFT | 001 | 0,00 | 468,55 |
| 4 | 24241-MEN-670 | SHAFT A, SHIFT FORK | 001 | 0,00 | 118,80 |
| 5 | 24265-KA3-760 | SHAFT, MAINSHAFT GEARSHIFT FORK | 001 | 0,00 | 83,66 |
| 6 | 24311-KRN-670 | DRUM, GEARSHIFT | 001 | 0,00 | 455,70 |
| 7 | 24312-KA3-741 | CENTER, GEARSHIFT DRUM | 001 | 0,00 | 327,65 |
| 8 | 24315-HA0-000 | PIN, SHIFTER | 001 | 0,00 | 63,70 |
| 9 | 24321-KZ4-620 | SHIFTER, DRUM | 001 | 0,00 | 302,67 |
| 10 | 24322-MM4-000 | COLLAR, SHIFTER | 001 | 0,00 | 19,99 |
| 11 | 24324-KA3-711 | PAWL A, RATCHET | 001 | 0,00 | 49,99 |
| 12 | 24325-KA3-711 | PAWL B, RATCHET | 001 | 0,00 | 49,99 |
| 13 | 24326-KBH-901 | PLUNGER, PAWL | 002 | 0,00 | 31,14 |
| 14 | 24328-KRN-670 | PLATE, GUIDE | 001 | 0,00 | 84,52 |
| 15 | 24329-KA3-740 | SPRING, PAWL PLUNGER | 002 | 0,00 | 15,10 |
| 16 | 24430-KA3-740 | STOPPER COMP., DRUM | 001 | 0,00 | 109,61 |
| 17 | 24435-KZ4-690 | SPRING, DRUM STOPPER | 001 | 0,00 | 25,14 |
| 18 | 24610-KRN-670 | SPINDLE COMP., GEARSHIFT | 001 | 0,00 | 461,70 |
| 19 | 24651-MEB-670 | SPRING, GEARSHIFT RETURN | 001 | 0,00 | 23,18 |
| 20 | 24652-HA0-000 | PIN, GEARSHIFT RETURN SPRING | 001 | 0,00 | 30,77 |
| 21 | 90022-MG8-000 | PIVOT, SHIFT DRUM STOPPER ARM | 001 | 0,00 | 7,51 |
| 22 | 90071-MF5-000 | BOLT, FLANGE SOCKET, 6X14 | 002 | 0,00 | 21,71 |
| 23 | 90435-HB3-000 | WASHER, 6.1MM | 001 | 0,00 | 20,36 |
| 24 | 90441-KA4-700 | PLATE, BEARING HOLDER | 002 | 0,00 | 18,28 |
| 25 | 90451-155-000 | WASHER, 14MM | 001 | 0,00 | 10,32 |
| 26 | 91004-KY4-900 | BEARING, RADIAL BALL, 6905U | 001 | 0,00 | 96,63 |
| 27 | 93301-060160A | BOLT, HEX., 6X16 | 002 | 0,00 | 4,58 |
| 28 | 94510-14000- | CIRCLIP, EXTERNAL, 14MM | 001 | 0,00 | 4,58 |
| 29 | 96220-40080- | ROLLER, 4X8 | 001 | 0,00 | 4,58 |

Block E-17 KICK STARTER SPINDLE

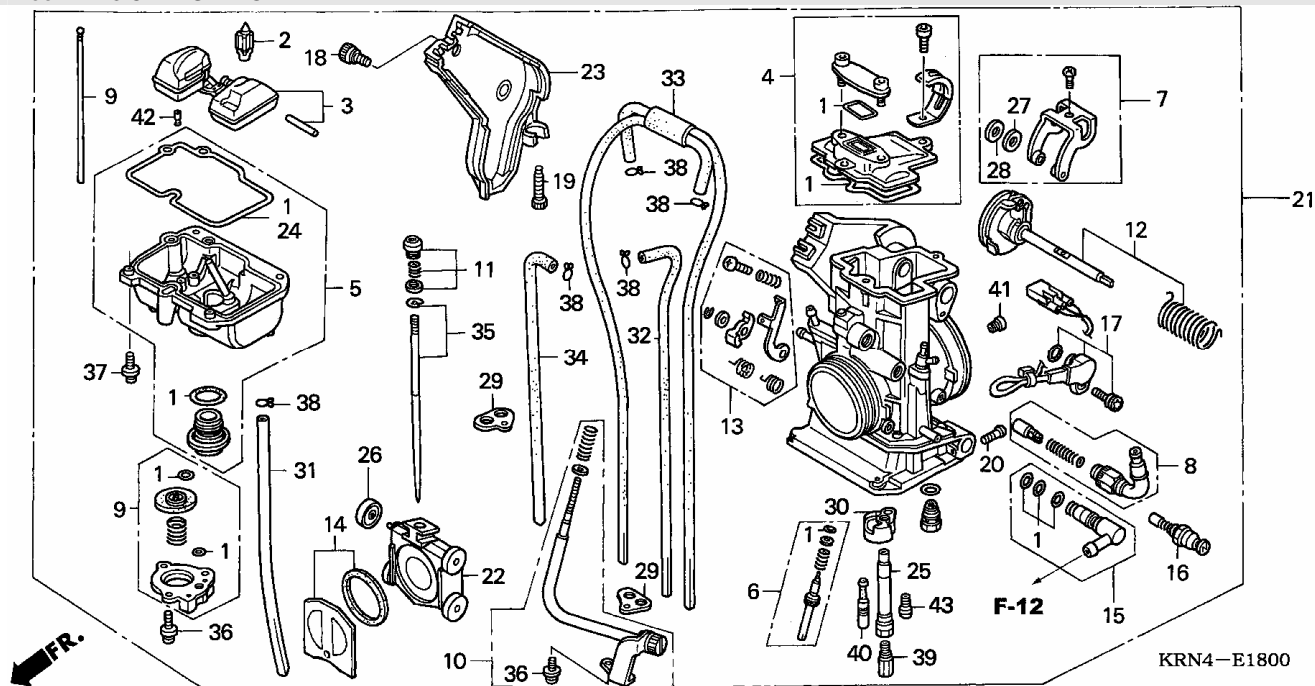


KRN4-E1700



| Refnr | Part Number | Part Description | Unit Qty | Repair Qty | Price SEK (excl. VAT) |
|-------|---------------|--------------------------------|----------|------------|--------------------------|
| 1 | 15201-KRN-670 | PLATE, OIL GUIDE | 001 | 0,00 | 38,73 |
| 2 | 28210-KRN-670 | PINION COMP., KICK STARTER | 001 | 0,00 | 314,42 |
| 3 | 28230-KRN-670 | GEAR COMP., STARTER IDLE (30T) | 001 | 0,00 | 250,52 |
| 4 | 28241-KA3-710 | RATCHET, STARTER | 001 | 0,00 | 251,13 |
| 5 | 28242-KA3-710 | SPRING, RATCHET | 001 | 0,00 | 16,08 |
| 6 | 28251-KZ4-000 | SPINDLE, KICK STARTER | 001 | 0,00 | 502,83 |
| 7 | 28261-KA3-710 | SPRING, STARTER RETURN | 001 | 0,00 | 50,60 |
| 8 | 28262-KS6-701 | PLATE, RATCHET SLIDER | 001 | 0,00 | 50,72 |
| 9 | 28282-KZ4-B00 | COLLAR, KICK SPINDLE | 001 | 0,00 | 40,07 |
| 10 | 90452-178-000 | WASHER, THRUST, 17MM | 001 | 0,00 | 19,26 |
| 11 | 90501-444-000 | WASHER, 16.8X24 | 003 | 0,00 | 25,14 |
| 12 | 93301-060160A | BOLT, HEX., 6X16 | 002 | 0,00 | 4,58 |
| 13 | 94510-16000- | CIRCLIP, EXTERNAL, 16MM | 001 | 0,00 | 4,99 |

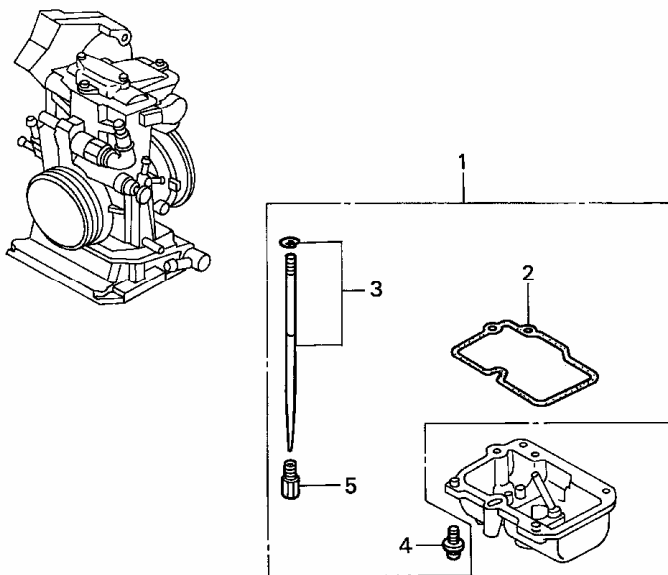
Block E-18 CARBURETOR



| Refnr | Part Number | Part Description | Unit Qty | Repair Qty | Price SEK (excl. VAT) |
|-------|---------------|-----------------------------|----------|------------|-----------------------|
| 1 | 16010-KRN-671 | GASKET SET | 001 | 0,00 | 187,96 |
| 2 | 16011-KZ3-J11 | VALVE SET, FLOAT | 001 | 0,00 | 285,41 |
| 3 | 16013-MEB-671 | FLOAT SET | 001 | 0,00 | 287,49 |
| 4 | 16014-KRN-671 | TOP SET | 001 | 0,00 | 434,89 |
| 5 | 16015-MEN-671 | CHAMBER SET, FLOAT | 001 | 0,00 | 582,65 |
| 6 | 16016-MEB-671 | SCREW SET A | 001 | 0,00 | 194,20 |
| 7 | 16018-MEB-671 | ARM SET, LINK | 001 | 0,00 | 137,16 |
| 8 | 16019-MEB-671 | START SET, HOT | 001 | 0,00 | 262,39 |
| 9 | 16021-KRN-671 | DIAPHRAGM SET, PUMP | 001 | 0,00 | 346,38 |
| 10 | 16028-MEB-671 | SCREW SET B | 001 | 0,00 | 248,69 |
| 11 | 16029-MEB-671 | SCREW SET, JET NEEDLE | 001 | 0,00 | 85,49 |
| 12 | 16032-MEB-671 | SHAFT SET, THROTTLE | 001 | 0,00 | 555,47 |
| 13 | 16033-MEB-671 | LEVER SET, PUMP | 001 | 0,00 | 96,27 |
| 14 | 16037-MEB-671 | VALVE SET, FLOATING | 001 | 0,00 | 997,91 |
| 15 | 16038-KRN-671 | JOINT SET, FUEL | 001 | 0,00 | 237,05 |
| 16 | 16046-MEB-671 | VALVE SET, STARTER | 001 | 0,00 | 338,66 |
| 17 | 16060-KRN-671 | SENSOR ASSY., THROTTLE | 001 | 0,00 | 793,59 |
| 18 | 16080-MEB-671 | BOLT, COVER | 001 | 0,00 | 13,87 |
| 19 | 16081-KRN-671 | BOLT, STOPPER | 001 | 0,00 | 107,28 |
| 20 | 16083-MEB-671 | SCREW, PAN | 001 | 0,00 | 12,16 |
| 21 | 16100-KRN-671 | CARBURETOR ASSY. (FCR01A A) | 001 | 0,00 | 9 745,89 |
| 22 | 16112-MEB-671 | VALVE, THROTTLE | 001 | 0,00 | 1 924,41 |
| 23 | 16157-MEN-671 | COVER, THROTTLE | 001 | 0,00 | 141,32 |
| 24 | 16163-MEB-671 | GASKET, FLOAT CHAMBER | 001 | 0,00 | 134,47 |
| 25 | 16165-MEB-671 | HOLDER, NEEDLE JET | 001 | 0,00 | 89,41 |
| 26 | 16172-MEB-671 | ROLLER | 001 | 0,00 | 74,60 |
| 27 | 16177-MEB-671 | WASHER, PLAIN (PO) | 001 | 0,00 | 11,06 |
| 28 | 16178-MEB-671 | WASHER, PLAIN (SUS) | 001 | 0,00 | 14,85 |
| 29 | 16179-KZ4-690 | BINDER | 002 | 0,00 | 61,74 |
| 30 | 16185-MEN-671 | PLATE, BUFFER | 001 | 0,00 | 86,47 |
| 31 | 16196-MEB-671 | TUBE, OVERFLOW | 001 | 0,00 | 42,40 |
| 32 | 16197-MEB-671 | TUBE, AIR VENT | 001 | 0,00 | 66,39 |
| 33 | 16198-MEB-671 | TUBE COMP., AIR VENT | 001 | 0,00 | 79,74 |
| 34 | 16199-MEB-671 | TUBE, AIR VENT | 001 | 0,00 | 66,39 |
| 35 | 16203-MEN-671 | NEEDLE SET, JET (NCYR) | 001 | 0,00 | 214,77 |
| 35 | 16201-MEN-671 | NEEDLE SET, JET (NCYP) | (1) | 0,00 | 214,77 |
| 35 | 16202-MEN-671 | NEEDLE SET, JET (NCYQ) | (1) | 0,00 | 214,77 |
| 35 | 16204-MEN-671 | NEEDLE SET, JET (NCYS) | (1) | 0,00 | 214,77 |
| 35 | 16205-MEN-671 | NEEDLE SET, JET (NCYT) | (1) | 0,00 | 214,77 |
| 35 | 16230-MEN-671 | NEEDLE SET, JET (NCVP) | (1) | 0,00 | 214,77 |
| 35 | 16231-MEN-671 | NEEDLE SET, JET (NCVQ) | (1) | 0,00 | 214,77 |
| 35 | 16232-MEN-671 | NEEDLE SET, JET (NCVR) | (1) | 0,00 | 214,77 |
| 35 | 16233-MEN-671 | NEEDLE SET, JET (NCVS) | (1) | 0,00 | 214,77 |
| 35 | 16234-MEN-671 | NEEDLE SET, JET (NCVT) | (1) | 0,00 | 214,77 |
| 36 | 93892-0400818 | SCREW-WASHER, 4X8 | 004 | 0,00 | 4,58 |
| 37 | 93892-0401418 | SCREW-WASHER, 4X14 | 004 | 0,00 | 3,35 |
| 38 | 95002-02079- | CLIP, TUBE (B7) | 005 | 0,00 | 3,06 |
| 39 | 99101-357-160 | JET, MAIN, #160 | 001 | 0,00 | 66,58 |
| 39 | 99101-357-150 | JET, MAIN, #150 | (1) | 0,00 | 66,58 |
| 39 | 99101-357-152 | JET, MAIN, #152 | (1) | 0,00 | 93,94 |

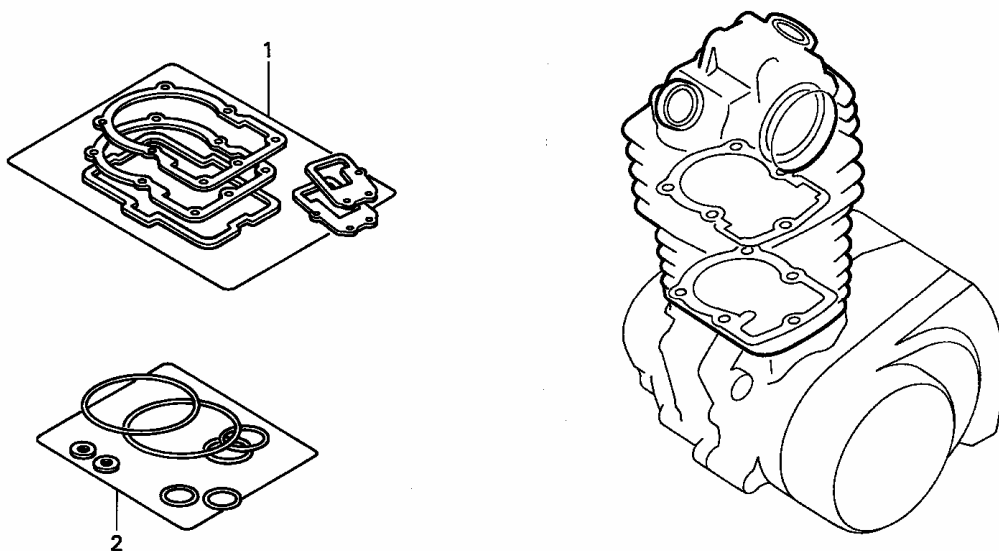
| | | | | | |
|----|---------------|----------------------|-----|------|-------|
| 39 | 99101-357-155 | JET, MAIN, #155 | (1) | 0,00 | 66,58 |
| 39 | 99101-357-158 | JET, MAIN, #158 | (1) | 0,00 | 66,58 |
| 39 | 99101-357-162 | JET, MAIN, #162 | (1) | 0,00 | 85,96 |
| 39 | 99101-357-165 | JET, MAIN, #165 | (1) | 0,00 | 85,96 |
| 39 | 99101-357-168 | JET, MAIN, #168 | (1) | 0,00 | 85,96 |
| 39 | 99101-357-170 | JET, MAIN, #170 | (1) | 0,00 | 85,96 |
| 40 | 99103-440-040 | JET, SLOW, #40 | 001 | 0,00 | 66,58 |
| 40 | 99103-440-035 | JET, SLOW, #35 | (1) | 0,00 | 70,43 |
| 40 | 99103-440-038 | JET, SLOW, #38 | (1) | 0,00 | 66,58 |
| 40 | 99103-440-042 | JET, SLOW, #42 | (1) | 0,00 | 84,32 |
| 40 | 99103-440-045 | JET, SLOW, #45 | (1) | 0,00 | 66,58 |
| 41 | 99104-MEB-100 | JET, SLOW AIR, #100 | 001 | 0,00 | 76,89 |
| 42 | 99108-KRN-070 | JET, LEAK, #70 | 001 | 0,00 | 37,39 |
| 43 | 99112-KRN-068 | JET, BY-STARTER, #68 | 001 | 0,00 | 78,41 |

Block E-18-1 CARBURETOR O.P. KIT



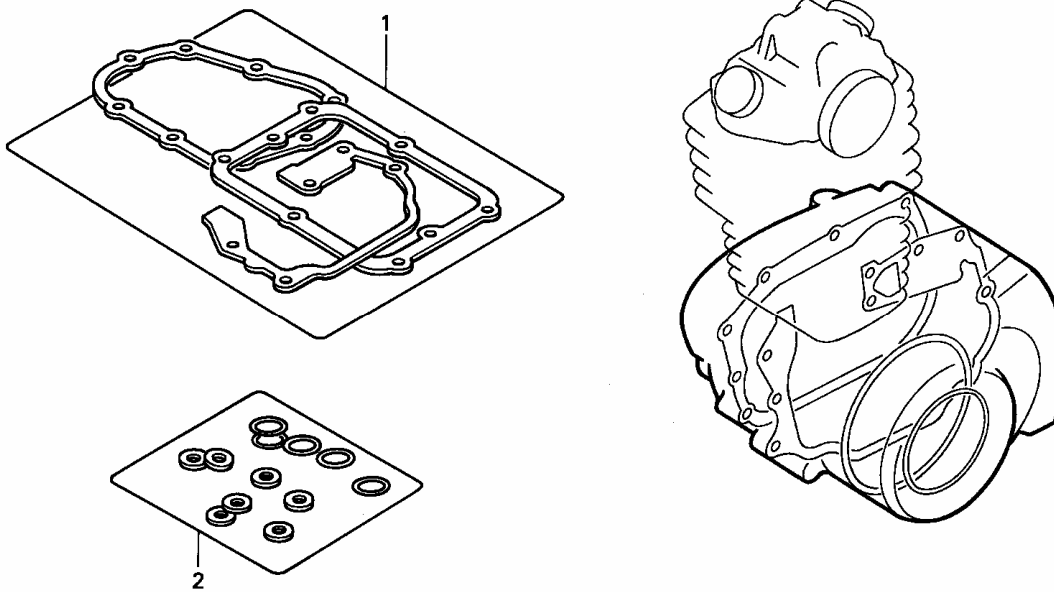
KRN4-E1801

| Refnr | Part Number | Part Description | Unit Qty | Repair Qty | Price SEK (excl. VAT) |
|-------|---------------|--------------------------------|----------|------------|--------------------------|
| 1 | 16020-KRN-671 | PARTS KIT, CARBURETOR OPTIONAL | 001 | 0,00 | 2 668,37 |
| 2 | 16163-MEB-671 | GASKET, FLOAT CHAMBER | (5) | 0,00 | 134,47 |
| 3 | 16201-MEN-671 | NEEDLE SET, JET (NCYP) | (1) | 0,00 | 214,77 |
| 3 | 16202-MEN-671 | NEEDLE SET, JET (NCYQ) | (1) | 0,00 | 214,77 |
| 3 | 16204-MEN-671 | NEEDLE SET, JET (NCYS) | (1) | 0,00 | 214,77 |
| 3 | 16205-MEN-671 | NEEDLE SET, JET (NCYT) | (1) | 0,00 | 214,77 |
| 3 | 16230-MEN-671 | NEEDLE SET, JET (NCVP) | (1) | 0,00 | 214,77 |
| 3 | 16231-MEN-671 | NEEDLE SET, JET (NCVQ) | (1) | 0,00 | 214,77 |
| 3 | 16232-MEN-671 | NEEDLE SET, JET (NCVR) | (1) | 0,00 | 214,77 |
| 3 | 16233-MEN-671 | NEEDLE SET, JET (NCVS) | (1) | 0,00 | 214,77 |
| 3 | 16234-MEN-671 | NEEDLE SET, JET (NCVT) | (1) | 0,00 | 214,77 |
| 4 | 93892-0401418 | SCREW-WASHER, 4X14 | (10) | 0,00 | 3,35 |
| 5 | 99101-357-150 | JET, MAIN, #150 | (1) | 0,00 | 66,58 |
| 5 | 99101-357-152 | JET, MAIN, #152 | (1) | 0,00 | 93,94 |
| 5 | 99101-357-155 | JET, MAIN, #155 | (1) | 0,00 | 66,58 |
| 5 | 99101-357-158 | JET, MAIN, #158 | (1) | 0,00 | 66,58 |
| 5 | 99101-357-162 | JET, MAIN, #162 | (1) | 0,00 | 85,96 |
| 5 | 99101-357-165 | JET, MAIN, #165 | (1) | 0,00 | 85,96 |
| 5 | 99101-357-168 | JET, MAIN, #168 | (1) | 0,00 | 85,96 |
| 5 | 99101-357-170 | JET, MAIN, #170 | (1) | 0,00 | 85,96 |



ENG1- X0001 B

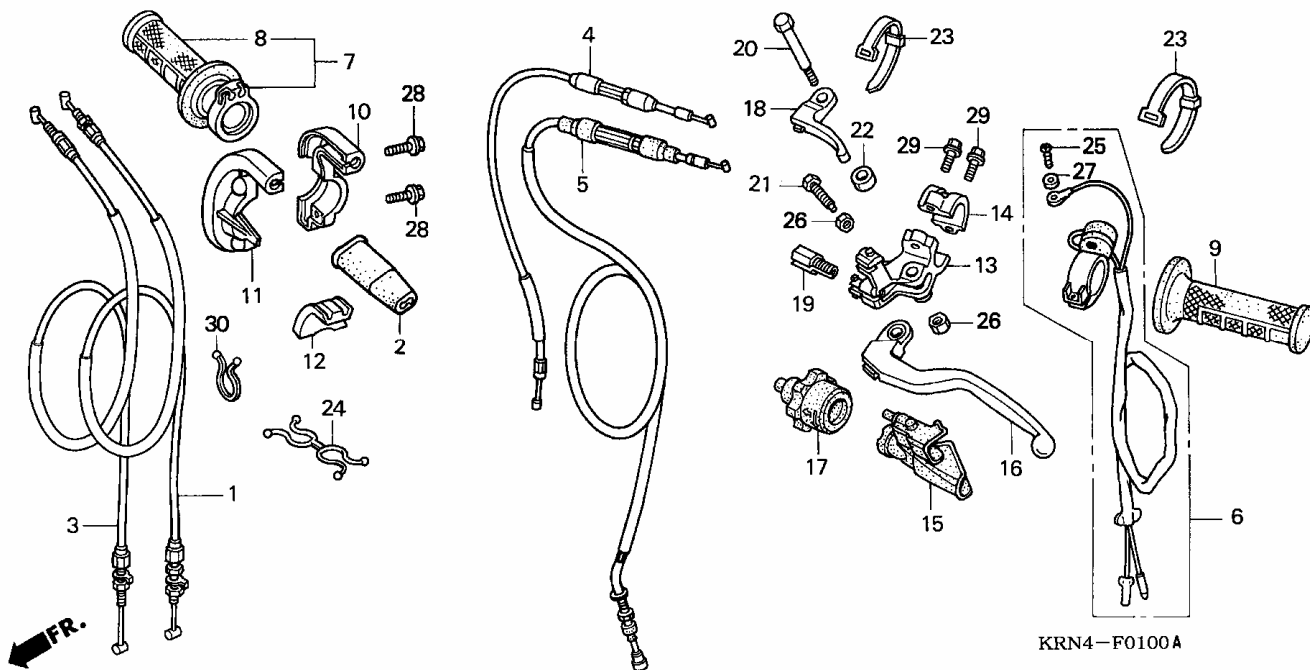
| Refnr | Part Number | Part Description | Unit Qty | Repair Qty | Price SEK (excl. VAT) |
|-------|---------------|---------------------------------------|----------|------------|--------------------------|
| 1 | 06113-KRN-700 | GASKET SHEET KIT A (COMPONENT PARTS) | 001 | 0,00 | 330,71 |
| 1 | 12191-KRN-671 | GASKET, CYLINDER | 001 | 0,00 | 51,46 |
| 1 | 12251-KRN-671 | GASKET, CYLINDER HEAD | 001 | 0,00 | 178,66 |
| 1 | 12391-KRN-670 | GASKET, HEAD COVER | 001 | 0,00 | 103,62 |
| 1 | 14560-MEN-671 | GASKET, TENSIONER LIFTER | 001 | 0,00 | 37,02 |
| 1 | 18291-MM5-860 | GASKET, EX. PIPE | 001 | 0,00 | 18,65 |
| 2 | 06114-KRN-700 | WASHER O-RING KIT A (COMPONENT PARTS) | 001 | 0,00 | 123,20 |
| 2 | 12226-MEB-670 | SEAL, RING | 001 | 0,00 | 32,61 |
| 2 | 90442-397-000 | WASHER, SEALING, 6MM | 001 | 0,00 | 4,81 |
| 2 | 90543-MV9-670 | RUBBER, MOUNTING | 002 | 0,00 | 22,45 |
| 2 | 91303-377-000 | O-RING, 13.8X2.5 | 002 | 0,00 | 26,61 |



ENG2- X0001 B

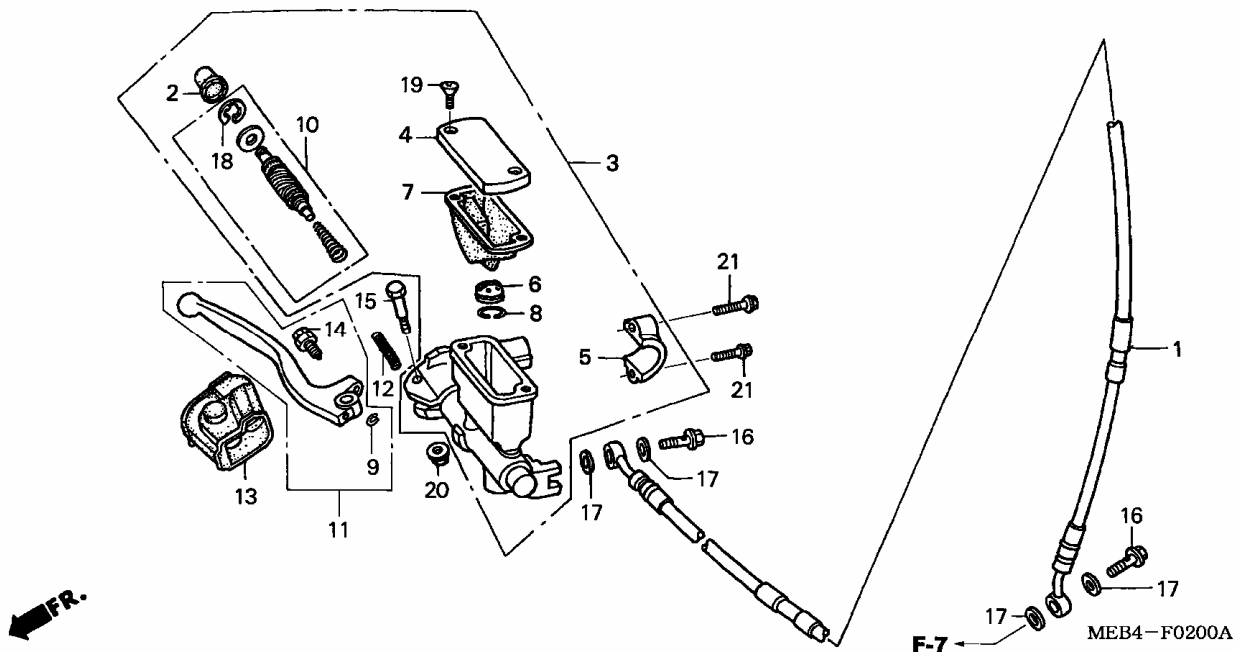
| Refnr | Part Number | Part Description | Unit Qty | Repair Qty | Price SEK (excl. VAT) |
|-------|---------------|---------------------------------------|----------|------------|--------------------------|
| 1 | 06115-KRN-700 | GASKET SHEET KIT B (COMPONENT PARTS) | 001 | 0,00 | 374,90 |
| 1 | 11191-KRN-670 | GASKET, CRANKCASE | 001 | 0,00 | 124,18 |
| 1 | 11352-KRN-671 | GASKET, CLUTCH COVER | 001 | 0,00 | 53,79 |
| 1 | 11394-KRN-670 | GASKET, R. COVER | 001 | 0,00 | 134,34 |
| 1 | 11395-KRN-670 | GASKET, L. COVER | 001 | 0,00 | 72,77 |
| 1 | 19226-KRN-670 | GASKET, WATER PUMP | 001 | 0,00 | 28,81 |
| 2 | 06116-KRN-700 | WASHER O-RING KIT B (COMPONENT PARTS) | 001 | 0,00 | 291,17 |
| 2 | 90447-KE1-000 | WASHER, SEALING, 7MM | 002 | 0,00 | 17,43 |
| 2 | 90463-ML7-000 | WASHER, SEALING, 6.5MM | 002 | 0,00 | 23,30 |
| 2 | 90474-333-000 | WASHER, SEALING, 8MM | 002 | 0,00 | 20,86 |
| 2 | 90751-GK1-003 | O-RING, 8.5X1.7 | 001 | 0,00 | 9,10 |
| 2 | 91301-KSR-A01 | D-RING, 22MM | 001 | 0,00 | 23,42 |
| 2 | 91302-PA9-003 | O-RING, 39.8X2.2 (ARAI) | 001 | 0,00 | 31,28 |
| 2 | 91303-377-000 | O-RING, 13.8X2.5 | 001 | 0,00 | 26,61 |
| 2 | 91304-MJ0-003 | O-RING, 15.8X2.4 (SHOWA) | 001 | 0,00 | 18,65 |
| 2 | 91305-KF0-003 | O-RING, 27X2 (ARAI) | 001 | 0,00 | 6,90 |
| 2 | 91307-035-000 | O-RING, 18X3 | 002 | 0,00 | 11,55 |
| 2 | 91312-KE7-003 | O-RING, 19X3 (NOK) | 001 | 0,00 | 12,77 |

Block F-1 HANDLE LEVER/SWITCH/CABLE



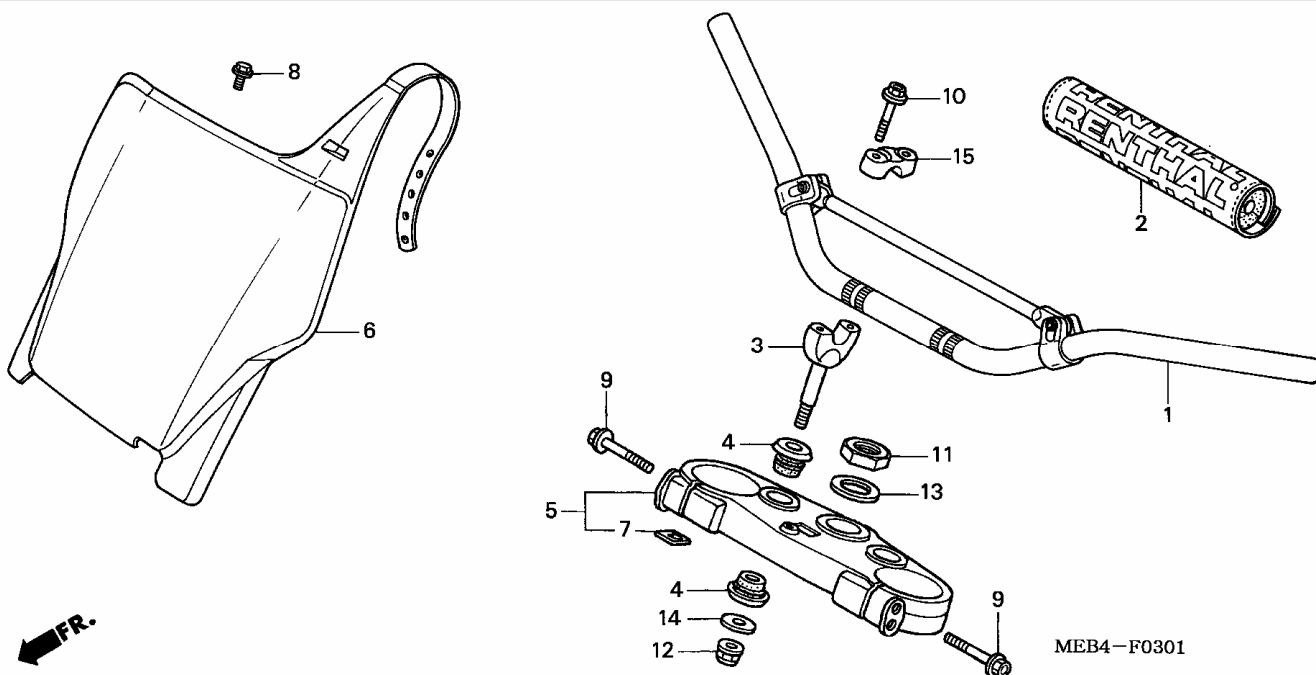
| Refnr | Part Number | Part Description | Unit Qty | Repair Qty | Price SEK (excl. VAT) |
|-------|---------------|------------------------------|----------|------------|--------------------------|
| 1 | 17910-KRN-000 | CABLE COMP. A, THROTTLE | 001 | 0,00 | 237,67 |
| 2 | 17913-KB7-000 | COVER, THROTTLE CABLE | 001 | 0,00 | 59,66 |
| 3 | 17920-KRN-000 | CABLE COMP. B, THROTTLE | 001 | 0,00 | 237,67 |
| 4 | 17950-KRN-000 | CABLE COMP., HOT STARTER | 001 | 0,00 | 138,87 |
| 5 | 22870-KRN-000 | CABLE COMP., CLUTCH | 001 | 0,00 | 166,17 |
| 6 | 35130-MEB-670 | SWITCH ASSY., KILL | 001 | 0,00 | 250,28 |
| 7 | 53140-MEB-671 | GRIP COMP., THROTTLE | 001 | 0,00 | 147,19 |
| 8 | 53165-GBF-J60 | GRIP, R. HANDLE | 001 | 0,00 | 89,66 |
| 9 | 53166-GBF-J60 | GRIP, L. HANDLE | 001 | 0,00 | 89,66 |
| 10 | 53167-MEB-671 | HOUSING, UPPER THROTTLE | 001 | 0,00 | 198,25 |
| 11 | 53168-MEB-670 | HOUSING, UNDER THROTTLE | 001 | 0,00 | 198,25 |
| 12 | 53169-MEB-670 | SLIDER, THROTTLE CABLE | 001 | 0,00 | 36,77 |
| 13 | 53172-MEN-670 | BRACKET, L. HANDLE LEVER | 001 | 0,00 | 234,24 |
| 14 | 53174-KCE-670 | HOLDER, L. LEVER BRACKET | 001 | 0,00 | 101,41 |
| 15 | 53177-MEN-670 | COVER, L. HANDLE LEVER | 001 | 0,00 | 93,58 |
| 16 | 53178-MEN-670 | LEVER, L. STEERING HANDLE | 002 | 0,00 | 169,72 |
| 17 | 53179-MEN-671 | DIAL, CLUTCH CABLE ADJUSTING | 001 | 0,00 | 86,47 |
| 18 | 53190-MEN-670 | LEVER, HOT STARTER | 001 | 0,00 | 130,43 |
| 19 | 53192-MEN-670 | BOLT, WIRE ADJUSTING | 001 | 0,00 | 61,37 |
| 20 | 90113-MEN-670 | BOLT, HANDLE LEVER PIVOT | 001 | 0,00 | 38,36 |
| 21 | 90118-MEN-670 | BOLT, LEVER PIVOT | 001 | 0,00 | 21,84 |
| 22 | 90501-MEN-670 | COLLAR, PIVOT | 001 | 0,00 | 24,04 |
| 23 | 90650-KV6-003 | BAND, WIRE | 002 | 0,00 | 27,22 |
| 24 | 90658-SA0-003 | CLIP, WIRE HARNESS | 001 | 0,00 | 32,09 |
| 25 | 93500-040121A | SCREW, PAN, 4X12 | 001 | 0,00 | 5,68 |
| 26 | 94001-060000S | NUT, HEX., 6MM | 002 | 0,00 | 4,99 |
| 27 | 94111-04000- | WASHER, SPRING, 4MM | 001 | 0,00 | 5,68 |
| 28 | 96001-0601807 | BOLT, FLANGE, 6X18 | 002 | 0,00 | 11,59 |
| 29 | 96001-0602200 | BOLT, FLANGE, 6X22 | 002 | 0,00 | 7,05 |
| 30 | 32171-GF9-621 | LOCK, PURSE | 001 | 0,00 | 19,26 |

Block F-2 FR. BRAKE MASTER CYLINDER



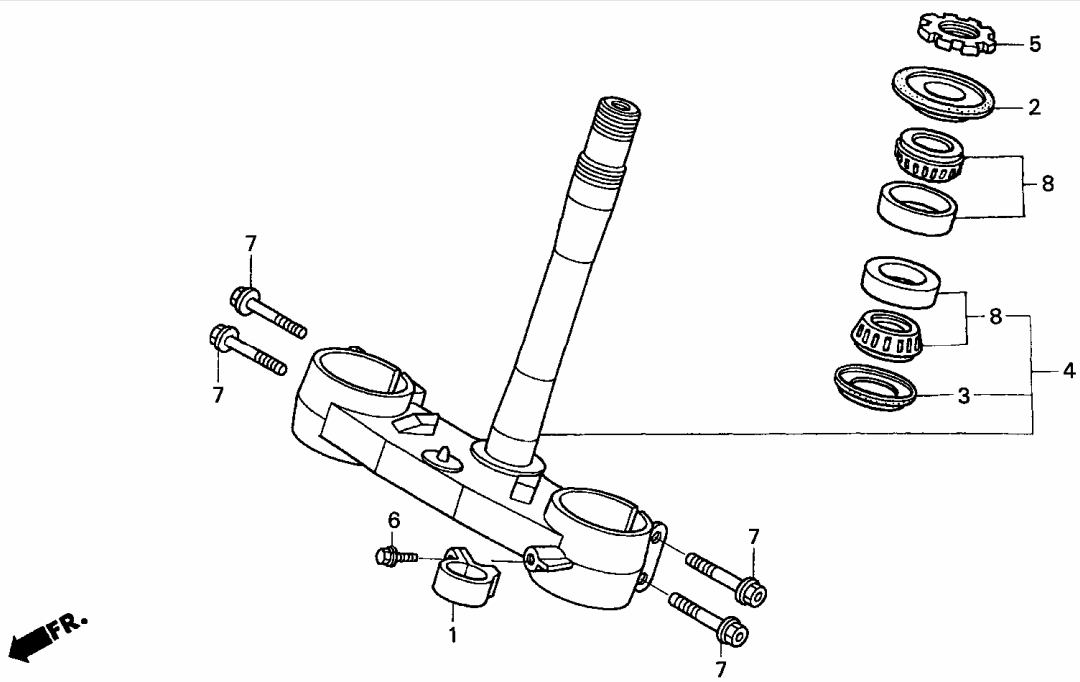
| Refnr | Part Number | Part Description | Unit Qty | Repair Qty | Price SEK (excl. VAT) |
|-------|---------------|---|----------|------------|-----------------------|
| 1 | 45125-MEN-003 | HOSE COMP., FR. BRAKE | 001 | 0,00 | 1 178,85 |
| 2 | 45504-KN5-006 | BOOT COMP. | 001 | 0,00 | 49,38 |
| 3 | 45510-KCE-671 | CYLINDER SUB ASSY., FR. BRAKE MASTER (NISSIN) | 001 | 0,00 | 1 931,15 |
| 4 | 45513-KCE-671 | CAP, MASTER CYLINDER | 001 | 0,00 | 126,99 |
| 5 | 45517-GW0-751 | HOLDER, MASTER CYLINDER | 001 | 0,00 | 84,88 |
| 6 | 45518-KA3-731 | SEPARATOR COMP. | 001 | 0,00 | 59,66 |
| 7 | 45520-KA3-731 | DIAPHRAGM | 001 | 0,00 | 57,46 |
| 8 | 45523-KA3-731 | RING | 001 | 0,00 | 13,39 |
| 9 | 45523-MEB-003 | RING | 001 | 0,00 | 6,78 |
| 10 | 45530-KCE-671 | PISTON SET, MASTER CYLINDER | 001 | 0,00 | 373,68 |
| 11 | 53170-MEB-003 | LEVER SET, R. HANDLE | 001 | 0,00 | 169,72 |
| 12 | 53174-KN5-006 | SPRING, BRAKE LEVER | 001 | 0,00 | 16,08 |
| 13 | 53176-ML3-791 | COVER, R. HANDLE LEVER | 001 | 0,00 | 52,56 |
| 14 | 90111-MEB-003 | BOLT SET, ADJUSTING | 001 | 0,00 | 30,77 |
| 15 | 90114-166-006 | BOLT, HANDLE LEVER PIVOT | 001 | 0,00 | 25,01 |
| 16 | 90145-MS9-612 | BOLT, OIL, 10X22 | 002 | 0,00 | 57,34 |
| 17 | 90545-300-000 | WASHER, OIL BOLT | 004 | 0,00 | 15,10 |
| 18 | 90651-MA5-671 | CIRCLIP | 001 | 0,00 | 11,31 |
| 19 | 93600-040121G | SCREW, FLAT, 4X12 | 002 | 0,00 | 3,75 |
| 20 | 94050-06000- | NUT, FLANGE, 6MM | 001 | 0,00 | 6,36 |
| 21 | 96001-0602200 | BOLT, FLANGE, 6X22 | 002 | 0,00 | 7,05 |

Block F-3 HANDLE PIPE/TOP BRIDGE



| Refnr | Part Number | Part Description | Unit Qty | Repair Qty | Price SEK (excl. VAT) |
|-------|---------------|------------------------------|----------|------------|-----------------------|
| 1 | 53100-MEN-670 | PIPE, STEERING HANDLE | 001 | 0,00 | 1 168,69 |
| 2 | 53121-MEN-670 | PROTECTOR, HANDLE | 001 | 0,00 | 320,55 |
| 3 | 53132-KZ4-J20 | HOLDER, HANDLE UNDER | 002 | 0,00 | 154,66 |
| 3 | 53132-KA3-831 | HOLDER, HANDLE UNDER | (2) | 0,00 | 202,90 |
| 4 | 53133-KA3-832 | CUSHION, HANDLE PIPE | 004 | 0,00 | 24,52 |
| 5 | 53300-MEN-000 | BRIDGE COMP., FORK TOP | 001 | 0,00 | 1 330,17 |
| 6 | 61136-MEN-670 | PLATE, FR. NUMBER *NH196* | 001 | 0,00 | 381,51 |
| 7 | 86150-KPG-901 | EMBLEM, PRODUCT (MARUI) | 001 | 0,00 | 18,16 |
| 8 | 90004-GHB-600 | BOLT, FLANGE, 6X10 (NSHF) | 001 | 0,00 | 21,71 |
| 9 | 90107-KZ4-J40 | BOLT, FLANGE, 8X45 | 004 | 0,00 | 22,69 |
| 10 | 90124-KZ4-J40 | BOLT, FLANGE, 8X35 | 004 | 0,00 | 24,52 |
| 11 | 90304-KZ4-J30 | NUT, STEERING STEM | 001 | 0,00 | 52,81 |
| 12 | 90306-KZ4-711 | NUT, U, 10MM | 002 | 0,00 | 18,28 |
| 13 | 90503-KZ4-J40 | WASHER, STEERING STEM | 001 | 0,00 | 14,97 |
| 14 | 90507-KA3-830 | WASHER, PLAIN, 10MM | 002 | 0,00 | 11,92 |
| 15 | 95014-22100- | HOLDER B1, HANDLE PIPE UPPER | 002 | 0,00 | 101,50 |

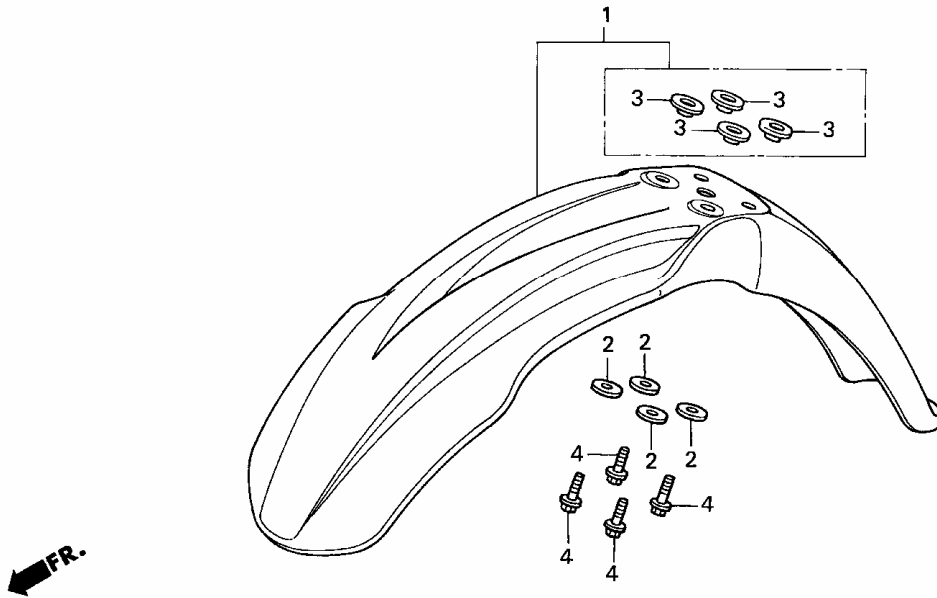
Block F-4 STEERING STEM



KRN4-F0400

| Refnr | Part Number | Part Description | Unit Qty | Repair Qty | Price SEK (excl. VAT) |
|-------|---------------|---------------------------------|----------|------------|-----------------------|
| 1 | 45468-KS7-830 | GUIDE, FR. BRAKE HOSE | 001 | 0,00 | 89,66 |
| 2 | 53214-KZ3-861 | DUST SEAL, STEERING HEAD (ARAI) | 001 | 0,00 | 49,44 |
| 3 | 53214-KZ4-701 | DUST SEAL, STEERING HEAD (ARAI) | 001 | 0,00 | 48,50 |
| 4 | 53219-MEN-000 | STEM SUB ASSY., STEERING | 001 | 0,00 | 3 580,18 |
| 5 | 53229-KZ4-J30 | THREAD, STEERING HEAD TOP | 001 | 0,00 | 80,11 |
| 6 | 90106-MJ0-000 | BOLT, FLANGE, 6X16 | 001 | 0,00 | 13,75 |
| 7 | 90107-KZ4-J40 | BOLT, FLANGE, 8X45 | 004 | 0,00 | 22,69 |
| 8 | 91015-KZ4-701 | BEARING, HEAD PIPE (NTN) | 002 | 0,00 | 269,87 |

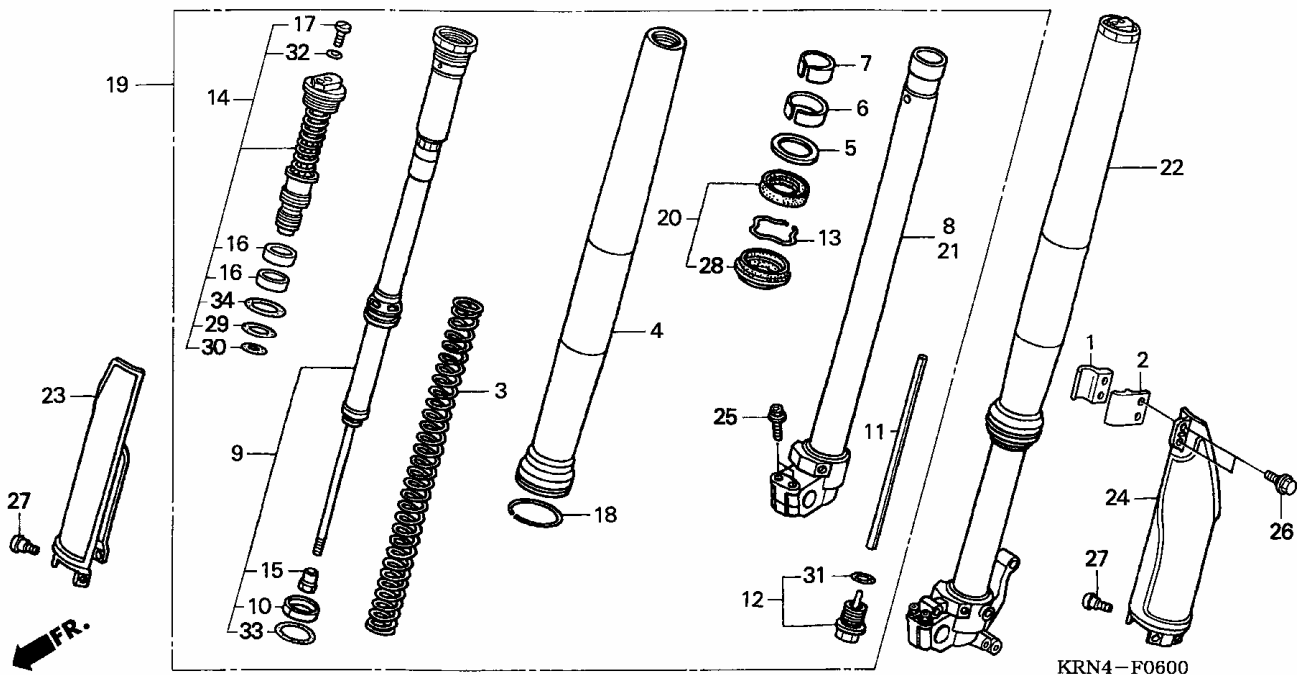
Block F-5 FRONT FENDER



KRN4-F0500

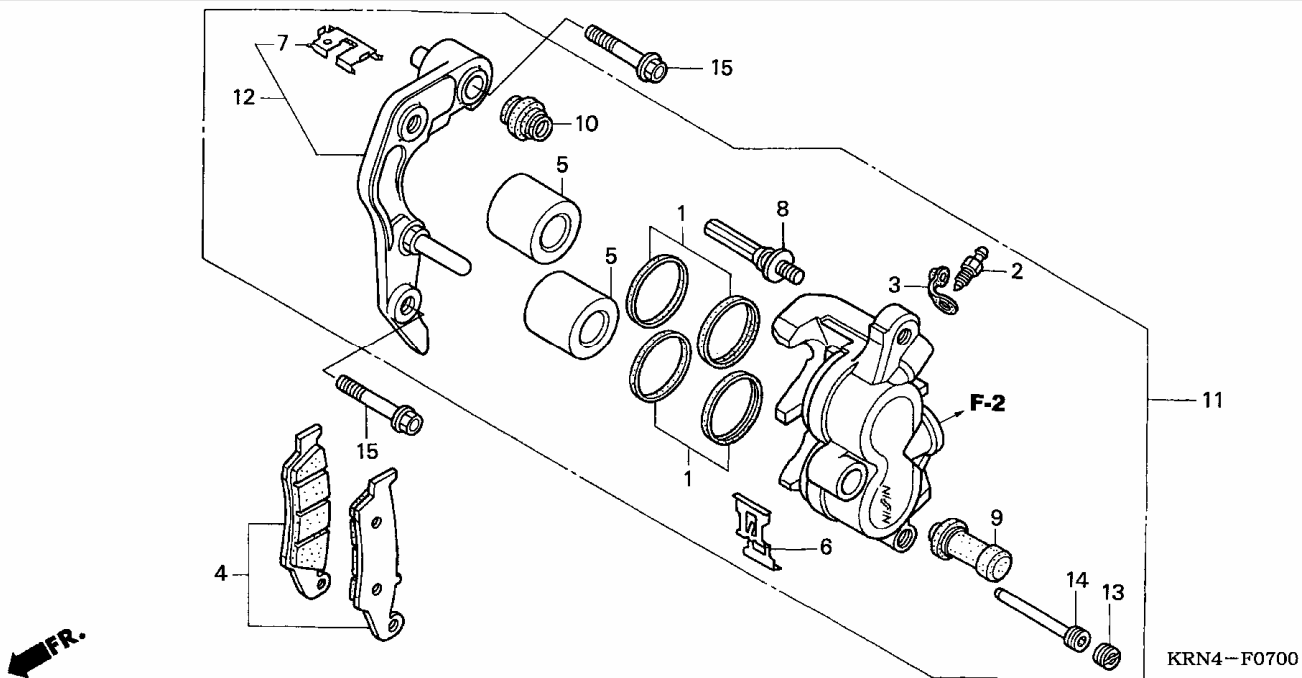
| Refnr | Part Number | Part Description | Unit Qty | Repair Qty | Price SEK (excl. VAT) |
|-------|---------------|-------------------------|----------|------------|--------------------------|
| 1 | 61110-MEN-670 | FENDER SUB ASSY., FR. | 001 | 0,00 | 744,01 |
| 2 | 90506-430-000 | WASHER, FENDER MOUNTING | 004 | 0,00 | 26,61 |
| 3 | 90512-KZ4-J20 | COLLAR, FR. FENDER | 004 | 0,00 | 34,32 |
| 4 | 96001-0601600 | BOLT, FLANGE, 6X16 | 004 | 0,00 | 5,68 |

Block F-6 FRONT FORK



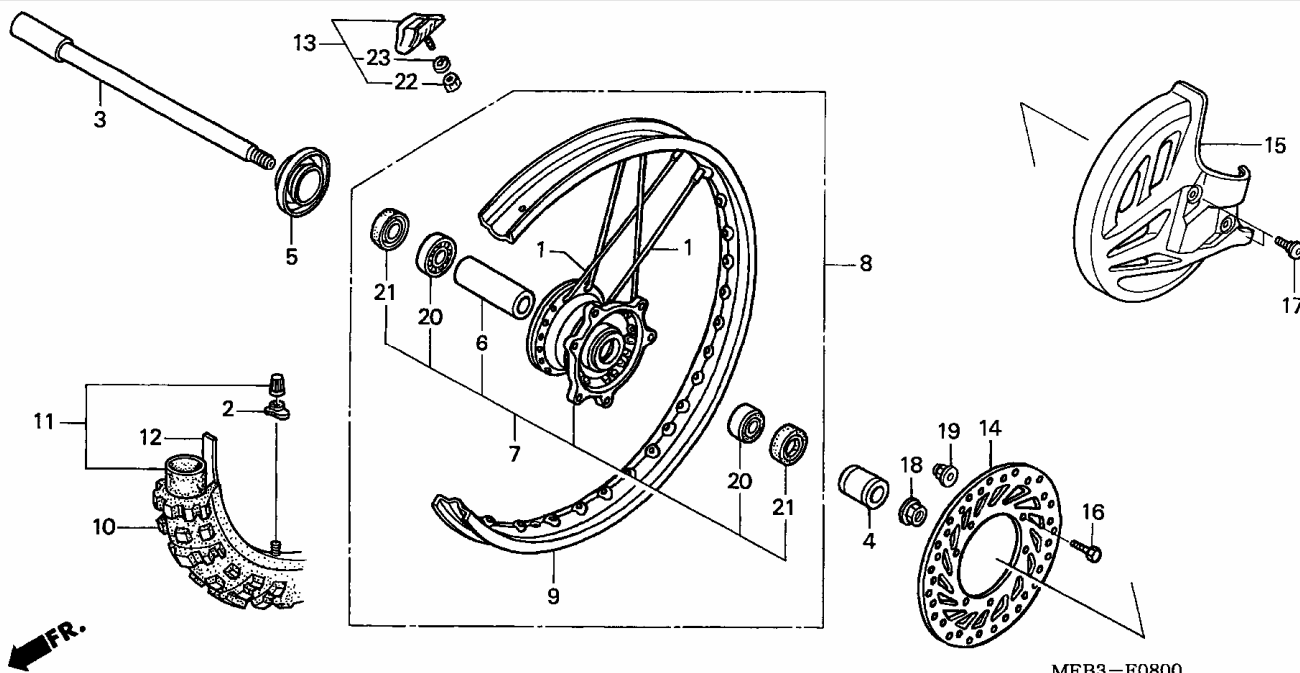
| Refnr | Part Number | Part Description | Unit Qty | Repair Qty | Price SEK (excl. VAT) |
|-------|---------------|---|----------|------------|-----------------------|
| 1 | 45461-MEN-000 | CLAMPER A, FR. BRAKE HOSE | 001 | 0,00 | 49,50 |
| 2 | 45462-MEN-000 | CLAMPER B, FR. BRAKE HOSE | 001 | 0,00 | 36,53 |
| 3 | 51401-KRN-003 | SPRING, FR. FORK (SHOWA) (4.41N/MM,0.45KGF/MM)) | 002 | 0,00 | 469,78 |
| 3 | 51401-KZ3-J21 | SPRING, FR. FORK (SHOWA) (4.22N/MM,0.43KGF/MM) | (2) | 0,00 | 504,42 |
| 3 | 51401-MEB-003 | SPRING, FR. FORK (SHOWA) (4.6N/MM,0.47KGF/MM) | (2) | 0,00 | 469,78 |
| 4 | 51410-MEN-003 | TUBE, OUTER | 002 | 0,00 | 3 201,53 |
| 5 | 51412-KZ3-B01 | RING, BACK UP | 002 | 0,00 | 41,67 |
| 6 | 51414-KZ3-B01 | BUSH, GUIDE | 002 | 0,00 | 89,90 |
| 7 | 51415-KZ3-B01 | BUSH, SLIDER | 002 | 0,00 | 89,90 |
| 8 | 51420-KSK-003 | PIPE COMP., R. SLIDE | 001 | 0,00 | 3 137,13 |
| 9 | 51430-MEN-003 | DAMPER COMP., FR. | 002 | 0,00 | 2 623,81 |
| 10 | 51431-KZ3-B01 | BUSH B, SLIDER | 002 | 0,00 | 98,72 |
| 11 | 51437-KZ3-J41 | COLLAR, REBOUND NEEDLE | 002 | 0,00 | 80,96 |
| 12 | 51440-MEN-003 | BOLT COMP., CENTER | 002 | 0,00 | 201,43 |
| 13 | 51447-KZ3-003 | RING, OIL SEAL STOPPER | 002 | 0,00 | 26,61 |
| 14 | 51450-KRN-003 | BOLT ASSY., FR. FORK | 002 | 0,00 | 1 166,86 |
| 15 | 51451-KZ3-B01 | NUT, LOCK | 002 | 0,00 | 58,56 |
| 16 | 51453-KZ3-B01 | BUSH C, SLIDER | 004 | 0,00 | 36,03 |
| 17 | 51456-KZ3-J41 | BOLT, PLUG | 002 | 0,00 | 46,93 |
| 18 | 51476-KZ3-711 | RING, WEAR | 002 | 0,00 | 25,14 |
| 19 | 51480-KRN-003 | FORK SUB ASSY., R. FR. (SHOWA) | 001 | 0,00 | 9 252,28 |
| 20 | 51490-MEN-003 | SEAL SET, FR. FORK | 002 | 0,00 | 223,34 |
| 21 | 51520-KSK-003 | PIPE COMP., L. SLIDE | 001 | 0,00 | 3 137,13 |
| 22 | 51580-KRN-003 | FORK SUB ASSY., L. FR. (SHOWA) | 001 | 0,00 | 9 252,28 |
| 23 | 51610-MEN-000 | PROTECTOR, R. FR. FORK *TNATURAL* | 001 | 0,00 | 324,34 |
| 24 | 51620-MEN-000 | PROTECTOR, L. FR. FORK *TNATURAL* | 001 | 0,00 | 324,34 |
| 25 | 90108-KZ4-J40 | BOLT, FLANGE, 8X40 | 004 | 0,00 | 22,69 |
| 26 | 90113-KZ3-000 | BOLT, FLANGE, 6MM | 002 | 0,00 | 16,45 |
| 27 | 90113-MAC-780 | BOLT, PROTECTOR | 006 | 0,00 | 13,75 |
| 28 | 91254-KZ3-J31 | DUST SEAL | 002 | 0,00 | 96,88 |
| 29 | 91256-KZ3-A71 | O-RING, 26.7X3.5 | 002 | 0,00 | 24,52 |
| 30 | 91257-MEB-751 | O-RING, 27.7X1.9 | 002 | 0,00 | 24,52 |
| 31 | 91258-KZ3-B01 | O-RING, 18.8X1.9 | 002 | 0,00 | 14,49 |
| 32 | 91301-KZ3-711 | O-RING, 3.5X1.5 | 002 | 0,00 | 7,51 |
| 33 | 91356-KZ3-003 | O-RING, 44.7X2.4 | 002 | 0,00 | 27,71 |
| 34 | 91356-MW0-003 | O-RING, 37.2X2.4 (SHOWA) | 002 | 0,00 | 17,06 |

Block F-7 FRONT BRAKE CALIPER



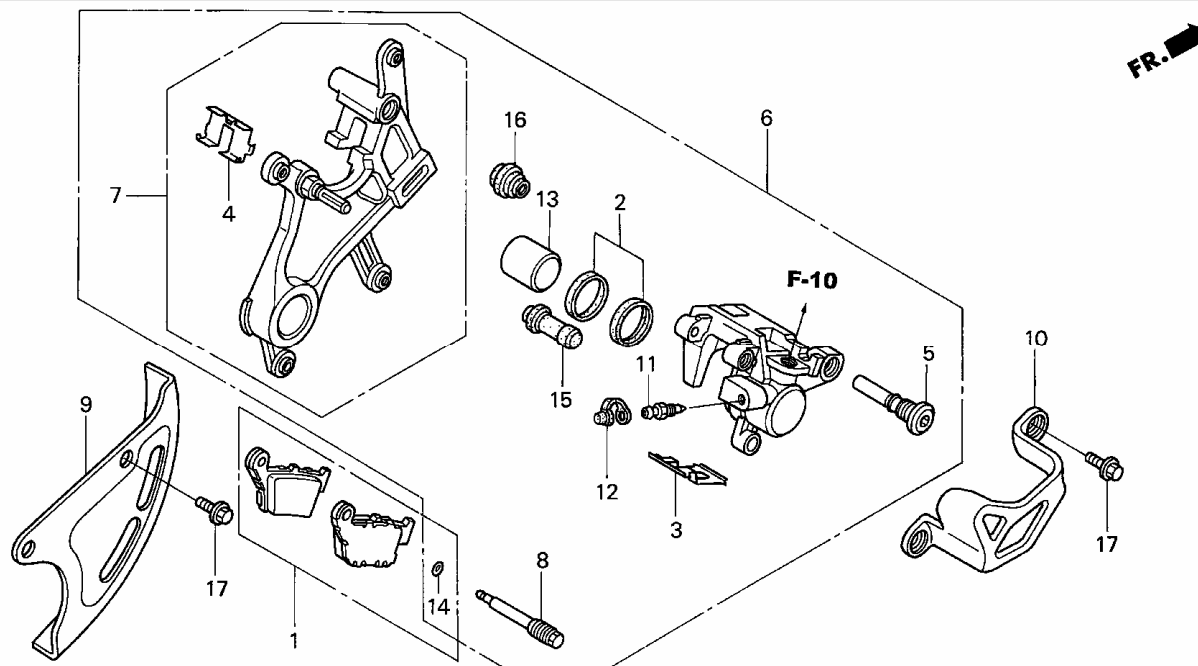
| Refnr | Part Number | Part Description | Unit Qty | Repair Qty | Price SEK (excl. VAT) |
|-------|---------------|------------------------------------|----------|------------|--------------------------|
| 1 | 06431-MA3-405 | SEAL SET, PISTON | 002 | 0,00 | 69,33 |
| 2 | 43352-568-003 | SCREW, BLEEDER (NISSIN) | 001 | 0,00 | 41,54 |
| 3 | 43353-461-771 | CAP, BLEEDER | 001 | 0,00 | 29,42 |
| 4 | 45105-MY6-405 | PAD SET, FR. | 001 | 0,00 | 348,44 |
| 5 | 45107-KZ4-J31 | PISTON | 002 | 0,00 | 209,51 |
| 6 | 45108-MY1-006 | SPRING, PAD | 001 | 0,00 | 22,57 |
| 7 | 45112-KS6-701 | RETAINER | 001 | 0,00 | 31,75 |
| 8 | 45131-HA5-672 | BOLT A, PIN | 001 | 0,00 | 75,33 |
| 9 | 45132-166-016 | BOOT, PIN BUSH (NISSIN) | 001 | 0,00 | 20,36 |
| 10 | 45133-MA3-006 | BOOT B | 001 | 0,00 | 29,42 |
| 11 | 45150-MEN-006 | CALIPER SUB ASSY., L. FR. (NISSIN) | 001 | 0,00 | 1 753,38 |
| 12 | 45190-MEN-006 | BRACKET SUB ASSY., L. FR. CALIPER | 001 | 0,00 | 587,30 |
| 13 | 45203-MG3-016 | PLUG, PIN | 001 | 0,00 | 26,61 |
| 14 | 45215-HA5-672 | PIN, HANGER | 001 | 0,00 | 20,12 |
| 15 | 90110-KZ4-J40 | BOLT, FLANGE, 8X40 | 002 | 0,00 | 33,95 |

Block F-8 FRONT WHEEL



| Refnr | Part Number | Part Description | Unit Qty | Repair Qty | Price SEK (excl. VAT) |
|-------|---------------|---|----------|------------|-----------------------|
| 1 | 06440-KZ4-820 | SPOKE SET, FR. (226.5MM) (FOR 20 INCHES) | (36 | 0,00 | 27,22 |
| 1 | 06440-KZ4-J40 | SPOKE SET, FR. (240MM) | 036 | 0,00 | 27,22 |
| 2 | 42714-KA3-710 | CAP, VALVE | 001 | 0,00 | 58,32 |
| 3 | 44301-MEN-000 | AXLE, FR. WHEEL | 001 | 0,00 | 353,97 |
| 4 | 44311-KZ4-J40 | COLLAR, L. FR. WHEEL | 001 | 0,00 | 83,42 |
| 5 | 44312-MEN-000 | COLLAR COMP., R. FR. WHEEL | 001 | 0,00 | 118,30 |
| 6 | 44620-MAC-680 | COLLAR, FR. DISTANCE | 001 | 0,00 | 105,82 |
| 7 | 44635-MAC-680 | HUB SUB ASSY., FR. WHEEL | 001 | 0,00 | 2 007,41 |
| 8 | 44650-MEN-000 | WHEEL SUB ASSY., FR. | 001 | 0,00 | 5 015,59 |
| 8 | 44650-KZ3-810 | WHEEL SUB ASSY., FR. (FOR 20 INCHES) | (1) | 0,00 | 5 499,53 |
| 9 | 44701-MEN-003 | RIM, FR. WHEEL (21X1.60) | 001 | 0,00 | 2 158,61 |
| 9 | 44701-KZ3-811 | RIM, FR. WHEEL (20X1.85) | (1) | 0,00 | 2 593,08 |
| 10 | 44711-MEB-771 | TIRE, FR. (PIRELLI) (80/100-21 M/C 51R MST MT32A) | 001 | 0,00 | 0,00 |
| 10 | 44711-KZ4-811 | TIRE, FR. (DUNLOP) (90/100-20 56M D739FA) | (1) | 0,00 | 2 191,41 |
| 11 | 44712-MEB-771 | TUBE, TIRE (PIRELLI) (80/100-21) | 001 | 0,00 | 0,00 |
| 11 | 44712-KZ4-811 | TUBE, TIRE (DUNLOP) (90/100-20) | (1) | 0,00 | 424,85 |
| 12 | 44713-MEB-771 | FLAP, TIRE (PIRELLI) | 001 | 0,00 | 49,99 |
| 12 | 44713-KZ4-811 | FLAP, TIRE (DUNLOP) (FOR 20 INCHES) | (1) | 0,00 | 316,87 |
| 13 | 44715-MA0-770 | STOPPER, BEAD (1.60) | 001 | 0,00 | 246,23 |
| 13 | 42715-KA2-680 | STOPPER, BEAD (1.85) (FOR 20 INCHES) | (1) | 0,00 | 259,46 |
| 14 | 45351-KZ4-J30 | DISK, FR. BRAKE | 001 | 0,00 | 1 246,19 |
| 15 | 51614-KZ4-J40 | COVER, FR. DISK *TNATURAL* | 001 | 0,00 | 194,57 |
| 16 | 90105-MAC-680 | BOLT, DISK, 6X19 | 006 | 0,00 | 12,53 |
| 17 | 90114-MAC-780 | BOLT, FR. DISK COVER | 002 | 0,00 | 11,80 |
| 18 | 90301-KZ4-J40 | NUT, FR. AXLE | 001 | 0,00 | 115,86 |
| 19 | 90301-473-003 | NUT, U, 6MM | 006 | 0,00 | 23,42 |
| 20 | 91062-MAC-681 | BEARING, RADIAL BALL, 6904 | 002 | 0,00 | 90,39 |
| 21 | 91201-KS6-004 | OIL SEAL, 26X37X7 (ARAI) | 002 | 0,00 | 71,17 |
| 22 | 94001-080000S | NUT, HEX., 8MM | 001 | 0,00 | 3,75 |
| 23 | 94111-08000- | WASHER, SPRING, 8MM | 001 | 0,00 | 5,68 |

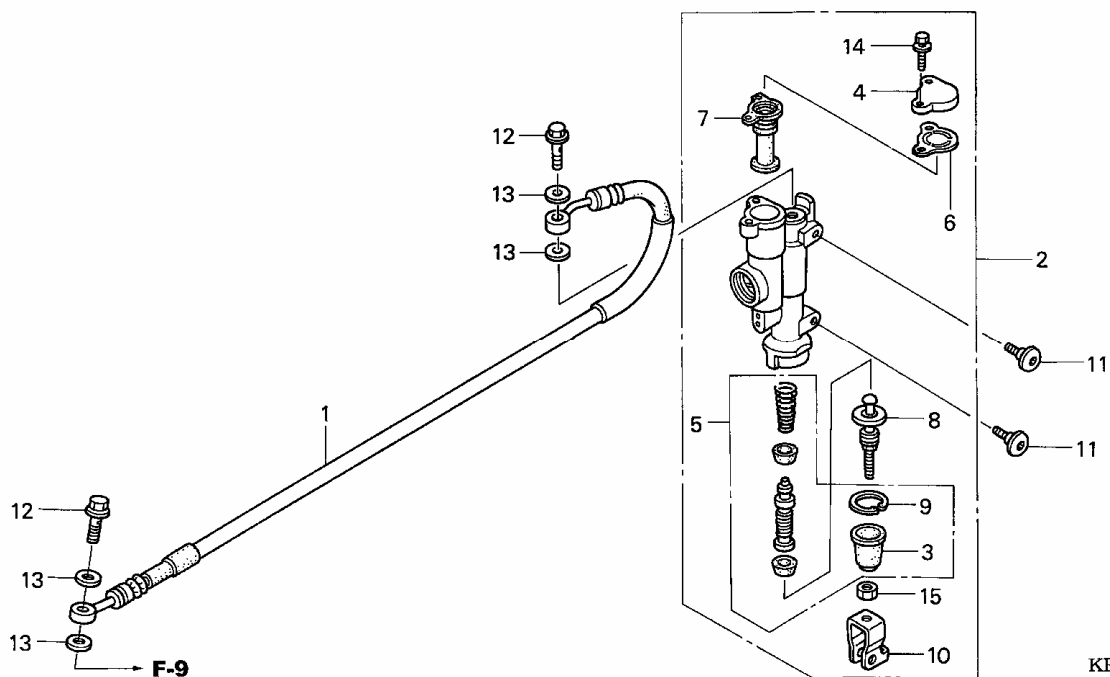
Block F-9 REAR BRAKE CALIPER



KRN4-F0900

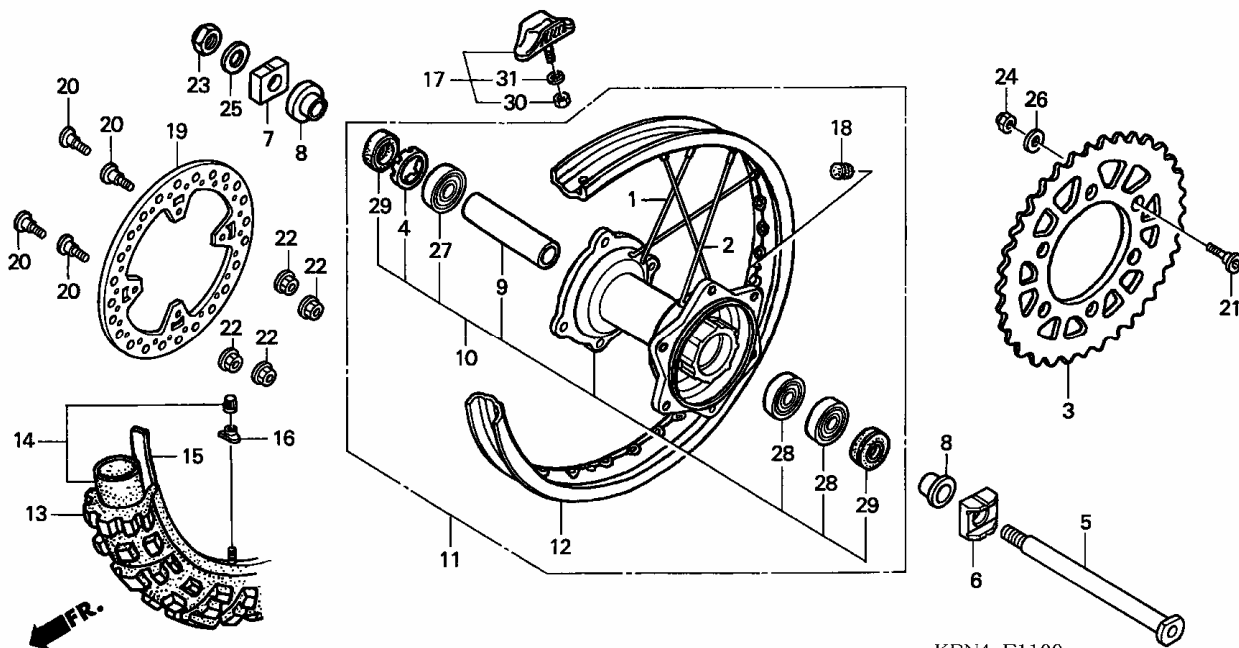
| Refnr | Part Number | Part Description | Unit Qty | Repair Qty | Price SEK (excl. VAT) |
|-------|---------------|---------------------------------------|----------|------------|--------------------------|
| 1 | 06435-KZ4-J41 | PAD SET, RR. | 001 | 0,00 | 348,44 |
| 2 | 06451-MZ2-405 | SEAL SET, PISTON | 001 | 0,00 | 55,38 |
| 3 | 43108-KZ4-J41 | SPRING, PAD | 001 | 0,00 | 30,40 |
| 4 | 43112-KZ4-J41 | RETAINER, BRACKET | 001 | 0,00 | 28,57 |
| 5 | 43131-KW3-006 | BOLT, PIN | 001 | 0,00 | 27,22 |
| 6 | 43150-KZ4-J41 | CALIPER SUB ASSY., RR. BRAKE (NISSIN) | 001 | 0,00 | 2 183,70 |
| 7 | 43190-KZ4-J41 | BRACKET SUB ASSY., RR. | 001 | 0,00 | 1 138,09 |
| 8 | 43215-KZ4-J41 | PIN, HANGER | 001 | 0,00 | 40,93 |
| 9 | 43330-KZ4-J40 | COVER, RR. DISK *TNATURAL* | 001 | 0,00 | 131,28 |
| 10 | 43340-KZ4-J40 | GUARD, RR. CALIPER *TNATURAL* | 001 | 0,00 | 109,00 |
| 11 | 43352-568-003 | SCREW, BLEEDER (NISSIN) | 001 | 0,00 | 41,54 |
| 12 | 43353-461-771 | CAP, BLEEDER | 001 | 0,00 | 29,42 |
| 13 | 45107-MCT-006 | PISTON (22 A) | 001 | 0,00 | 214,04 |
| 14 | 45111-MAJ-G41 | RING, STOPPER | 001 | 0,00 | 9,34 |
| 15 | 45132-166-016 | BOOT, PIN BUSH (NISSIN) | 001 | 0,00 | 20,36 |
| 16 | 45133-MA3-006 | BOOT B | 001 | 0,00 | 29,42 |
| 17 | 90004-GHB-600 | BOLT, FLANGE, 6X10 (NSHF) | 004 | 0,00 | 21,71 |

Block F-10 RR. BRAKE MASTER CYLINDER



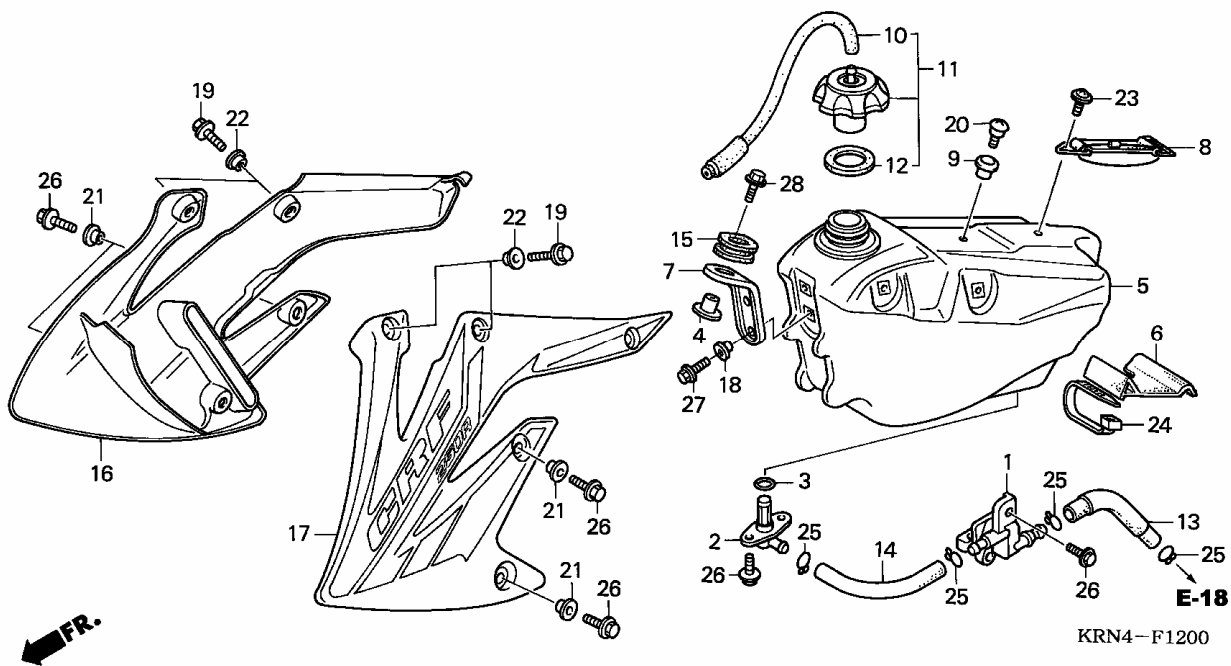
| Refnr | Part Number | Part Description | Unit Qty | Repair Qty | Price SEK (excl. VAT) |
|-------|---------------|---|----------|------------|--------------------------|
| 1 | 43310-KZ4-J41 | HOSE, RR. BRAKE | 001 | 0,00 | 468,55 |
| 2 | 43500-KZ4-J42 | CYLINDER ASSY., RR. BRAKE MASTER (NISSIN) | 001 | 0,00 | 1 510,62 |
| 3 | 43504-MB2-006 | BOOT COMP. | 001 | 0,00 | 41,43 |
| 4 | 43513-KZ4-J41 | CAP, MASTER CYLINDER | 001 | 0,00 | 26,24 |
| 5 | 43520-KZ4-J42 | PISTON SET, MASTER CYLINDER | 001 | 0,00 | 373,68 |
| 6 | 43521-KZ4-J41 | PLATE, DIAPHRAGM | 001 | 0,00 | 31,51 |
| 7 | 43522-KZ4-J41 | DIAPHRAGM | 001 | 0,00 | 106,18 |
| 8 | 43530-KZ4-J41 | ROD COMP., PUSH | 001 | 0,00 | 124,67 |
| 9 | 46182-500-013 | CIRCLIP | 001 | 0,00 | 18,31 |
| 10 | 46504-KZ4-J41 | JOINT, BRAKE ROD | 001 | 0,00 | 40,07 |
| 11 | 90114-MAC-780 | BOLT, FR. DISK COVER | 002 | 0,00 | 11,80 |
| 12 | 90145-MS9-612 | BOLT, OIL, 10X22 | 002 | 0,00 | 57,34 |
| 13 | 90545-300-000 | WASHER, OIL BOLT | 004 | 0,00 | 15,10 |
| 14 | 93401-0401600 | BOLT-WASHER, 4X16 | 002 | 0,00 | 4,03 |
| 15 | 94002-060000S | NUT, HEX., 6MM | 001 | 0,00 | 5,41 |

Block F-11 REAR WHEEL



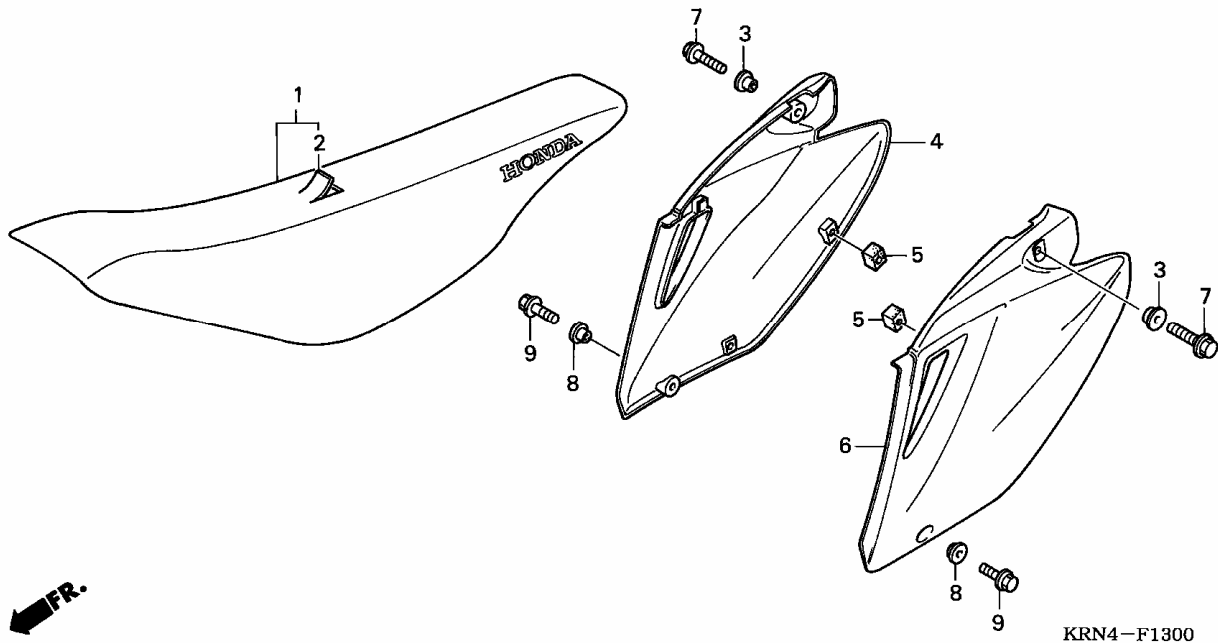
| Refnr | Part Number | Part Description | Unit Qty | Repair Qty | Price SEK (excl. VAT) |
|-------|---------------|--|----------|------------|-----------------------|
| 1 | 06420-MEB-750 | SPOKE SET, RR. (INSIDE) | 016 | 0,00 | 23,42 |
| 2 | 06421-MEB-750 | SPOKE SET, RR. (OUTSIDE) | 016 | 0,00 | 23,42 |
| 3 | 41202-KZ4-J20 | SPROCKET, FINAL DRIVEN (51T) | 001 | 0,00 | 899,32 |
| 3 | 41203-KZ3-J20 | SPROCKET, FINAL DRIVEN (50T) | (1) | 0,00 | 899,56 |
| 3 | 41203-KZ4-J30 | SPROCKET, FINAL DRIVEN (52T) | (1) | 0,00 | 899,56 |
| 4 | 41231-KZ4-J20 | RETAINER, RR. WHEEL BEARING | 001 | 0,00 | 119,77 |
| 5 | 42301-KZ4-J40 | AXLE, RR. WHEEL | 001 | 0,00 | 565,02 |
| 6 | 42305-KZ4-J40 | COLLAR, L. RR. AXLE | 001 | 0,00 | 125,41 |
| 7 | 42306-KZ4-J20 | COLLAR, R. RR. AXLE | 001 | 0,00 | 116,34 |
| 8 | 42311-KZ4-J40 | COLLAR, RR. WHEEL SIDE | 002 | 0,00 | 126,63 |
| 9 | 42620-KZ4-J20 | COLLAR, RR. WHEEL DISTANCE | 001 | 0,00 | 222,00 |
| 10 | 42635-MEN-000 | HUB SUB ASSY., RR. WHEEL | 001 | 0,00 | 2 533,95 |
| 11 | 42650-KRN-000 | WHEEL SUB ASSY., RR. | 001 | 0,00 | 6 322,57 |
| 12 | 42701-KRN-003 | RIM, RR. WHEEL (19X1.85) | 001 | 0,00 | 2 460,13 |
| 13 | 42711-KSR-D02 | TIRE, RR. (PIRELLI) (100/90-19 NHS MT32) | 001 | 0,00 | 0,00 |
| 14 | 42712-MEB-771 | TUBE, TIRE (PIRELLI) | 001 | 0,00 | 0,00 |
| 15 | 42713-MEB-771 | FLAP, TIRE (PIRELLI) | 001 | 0,00 | 47,42 |
| 16 | 42714-KA3-710 | CAP, VALVE | 001 | 0,00 | 58,32 |
| 17 | 42715-KA2-680 | STOPPER, BEAD (1.85) | 001 | 0,00 | 259,46 |
| 18 | 42717-329-000 | CAP, RIM HOLE | 001 | 0,00 | 38,12 |
| 19 | 43351-KZ4-J40 | DISK, RR. BRAKE | 001 | 0,00 | 1 384,28 |
| 20 | 90105-MAC-680 | BOLT, DISK, 6X19 | 004 | 0,00 | 12,53 |
| 21 | 90125-KA4-000 | SCREW, FLAT, 8X31 | 006 | 0,00 | 17,67 |
| 22 | 90301-473-003 | NUT, U, 6MM | 004 | 0,00 | 23,42 |
| 23 | 90305-KZ4-J20 | NUT, U, 22MM | 001 | 0,00 | 58,32 |
| 24 | 90309-ML3-791 | NUT, U, 8MM | 006 | 0,00 | 26,00 |
| 25 | 90401-KZ4-J20 | WASHER, 22X35X2 | 001 | 0,00 | 25,14 |
| 26 | 90465-MC4-000 | WASHER, 8MM | 006 | 0,00 | 23,42 |
| 27 | 91051-KZ4-J21 | BEARING, RADIAL BALL, 69052RS | 001 | 0,00 | 158,09 |
| 28 | 91052-KZ4-J21 | BEARING, RADIAL BALL, 6905RS | 002 | 0,00 | 148,54 |
| 29 | 91251-KZ4-J21 | DUST SEAL, 32X43X7 | 002 | 0,00 | 54,76 |
| 30 | 94001-080000S | NUT, HEX., 8MM | 001 | 0,00 | 3,75 |
| 31 | 94111-08000- | WASHER, SPRING, 8MM | 001 | 0,00 | 5,68 |

Block F-12 FUEL TANK



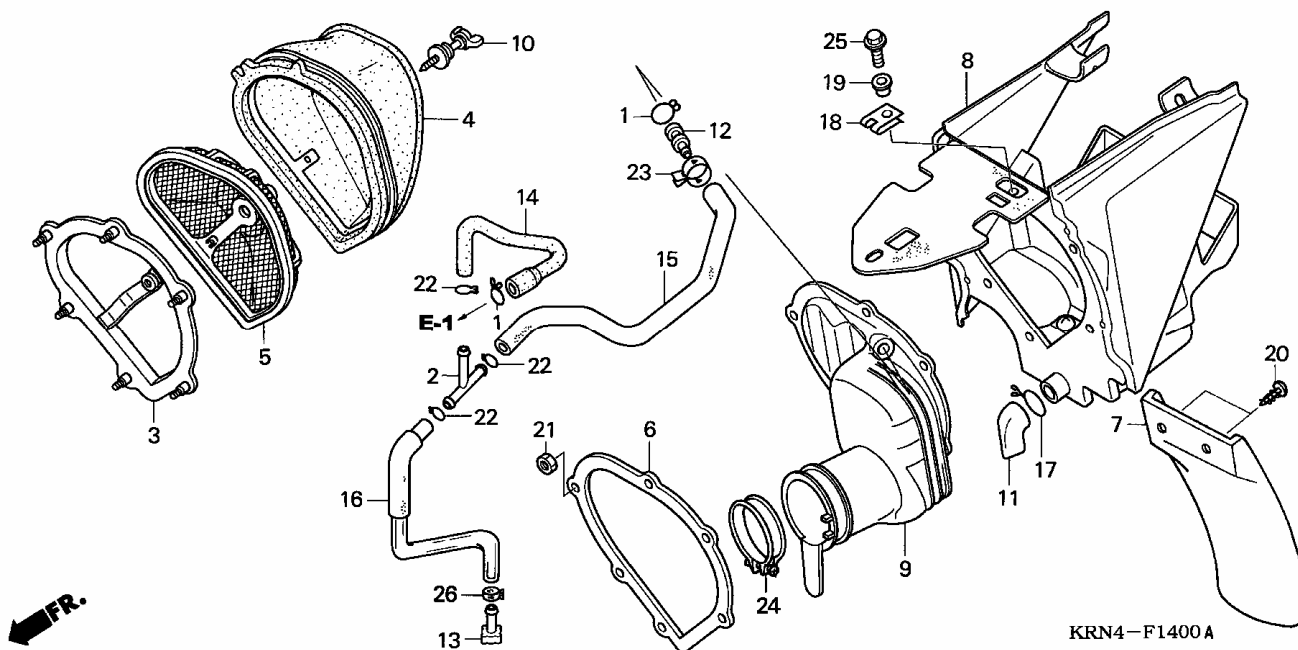
| Refnr | Part Number | Part Description | Unit Qty | Repair Qty | Price SEK (excl. VAT) |
|-------|---------------|--------------------------------------|----------|------------|--------------------------|
| 1 | 16950-KRN-003 | COCK ASSY., FUEL | 001 | 0,00 | 225,79 |
| 2 | 16955-MEB-671 | JOINT ASSY., FUEL | 001 | 0,00 | 106,79 |
| 3 | 16997-467-000 | O-RING, 11.8X3.55 | 001 | 0,00 | 28,57 |
| 4 | 17509-KZ3-B00 | COLLAR, TANK SETTING | 001 | 0,00 | 41,91 |
| 5 | 17510-KRN-000 | TANK COMP., FUEL | 001 | 0,00 | 4 157,77 |
| 6 | 17512-KRN-000 | RUBBER, FUEL TANK MOUNTING | 001 | 0,00 | 91,00 |
| 7 | 17515-KRN-000 | STAY, FR. TANK | 001 | 0,00 | 46,69 |
| 8 | 17516-KZ3-B00 | BAND, TANK RR. | 001 | 0,00 | 80,35 |
| 9 | 17518-KZ4-710 | COLLAR, SEAT FR. | 001 | 0,00 | 26,61 |
| 10 | 17521-KZ4-J20 | TUBE COMP., FUEL CAP BREATHER | 001 | 0,00 | 47,67 |
| 11 | 17620-MEB-670 | CAP ASSY., FUEL TANK | 001 | 0,00 | 248,44 |
| 12 | 17624-KT1-780 | PACKING, FUEL CAP | 001 | 0,00 | 22,08 |
| 13 | 17681-KRN-000 | TUBE B, FUEL | 001 | 0,00 | 31,63 |
| 14 | 17684-KRN-000 | TUBE A, FUEL | 001 | 0,00 | 31,63 |
| 15 | 18334-ML3-680 | RUBBER, SILENCER | 001 | 0,00 | 20,36 |
| 16 | 19071-KRN-000 | SHROUD SET, R. RADIATOR (WL) *TYPE1* | 001 | 0,00 | 629,66 |
| 17 | 19072-KRN-000 | SHROUD SET, L. RADIATOR (WL) *TYPE1* | 001 | 0,00 | 629,66 |
| 18 | 84706-415-000 | COLLAR | 002 | 0,00 | 17,67 |
| 19 | 90106-KRN-000 | BOLT, FLANGE, 5X12 | 004 | 0,00 | 12,29 |
| 20 | 90108-MN0-000 | SCREW, PAN, 5X13 | 001 | 0,00 | 12,04 |
| 21 | 90501-KZ4-J20 | COLLAR A | 004 | 0,00 | 30,64 |
| 22 | 90502-KRN-000 | COLLAR, SHROUD UPPER | 004 | 0,00 | 24,04 |
| 23 | 91422-MT8-770 | SCREW, SPECIAL, 5MM | 001 | 0,00 | 10,32 |
| 24 | 91560-MS8-600 | TY-RAP, CABLE | 001 | 0,00 | 9,71 |
| 25 | 95002-02120- | CLIP, TUBE (B12) | 004 | 0,00 | 4,58 |
| 26 | 96001-0601600 | BOLT, FLANGE, 6X16 | 007 | 0,00 | 5,68 |
| 27 | 96001-0601800 | BOLT, FLANGE, 6X18 | 002 | 0,00 | 7,75 |
| 28 | 96001-0603000 | BOLT, FLANGE, 6X30 | 001 | 0,00 | 8,43 |

Block F-13 SEAT/SIDE COVER



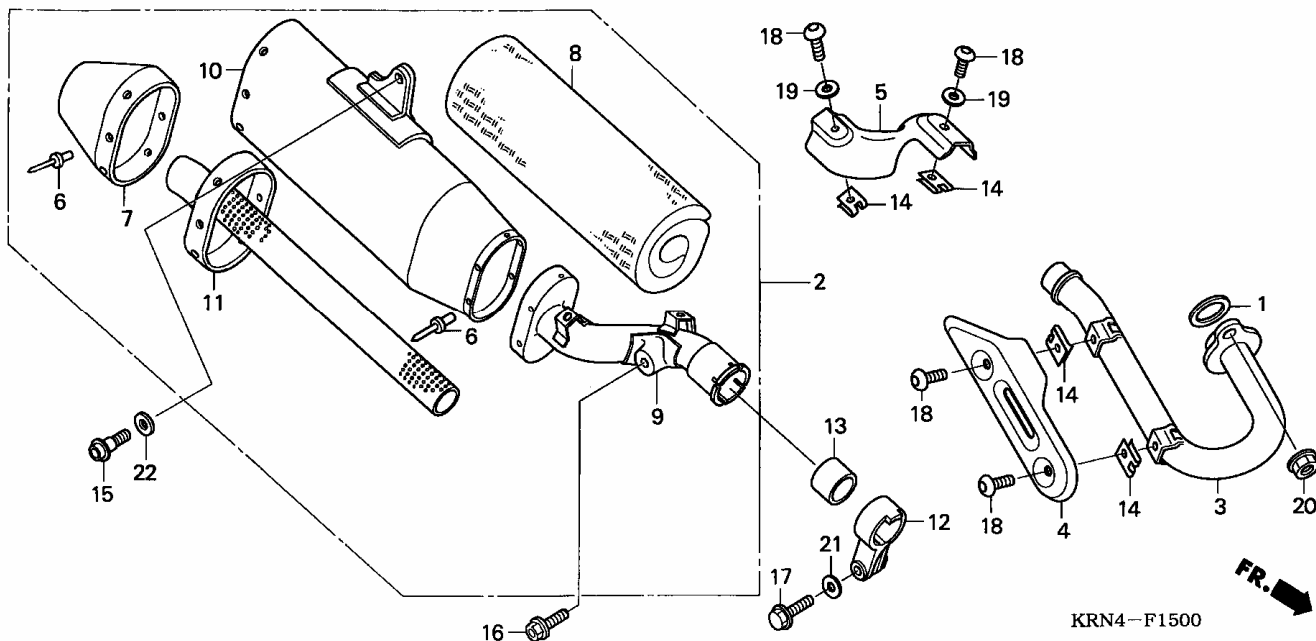
| Refnr | Part Number | Part Description | Unit Qty | Repair Qty | Price SEK (excl. VAT) |
|-------|---------------|--|----------|------------|--------------------------|
| 1 | 77100-KRN-000 | SEAT COMP. | 001 | 0,00 | 1 543,18 |
| 2 | 77101-KRN-000 | LEATHER COMP., SEAT (NO LETTERS PRINTED) | 001 | 0,00 | 837,91 |
| 3 | 83505-KM4-000 | COLLAR, TOOL BOX SETTING | 002 | 0,00 | 34,32 |
| 4 | 83510-KRN-000 | COVER, R. SIDE *R292R* | 001 | 0,00 | 331,69 |
| 5 | 83515-KS7-830 | RUBBER, SIDE COVER STOPPER | 002 | 0,00 | 17,43 |
| 6 | 83610-KRN-000 | COVER, L. SIDE *R292R* | 001 | 0,00 | 331,69 |
| 7 | 90123-MEN-670 | BOLT, FLANGE, 8X16 (SH) | 002 | 0,00 | 16,94 |
| 8 | 90501-KZ4-J20 | COLLAR A | 002 | 0,00 | 30,64 |
| 9 | 96001-0601400 | BOLT, FLANGE, 6X14 | 002 | 0,00 | 7,75 |

Block F-14 AIR CLEANER



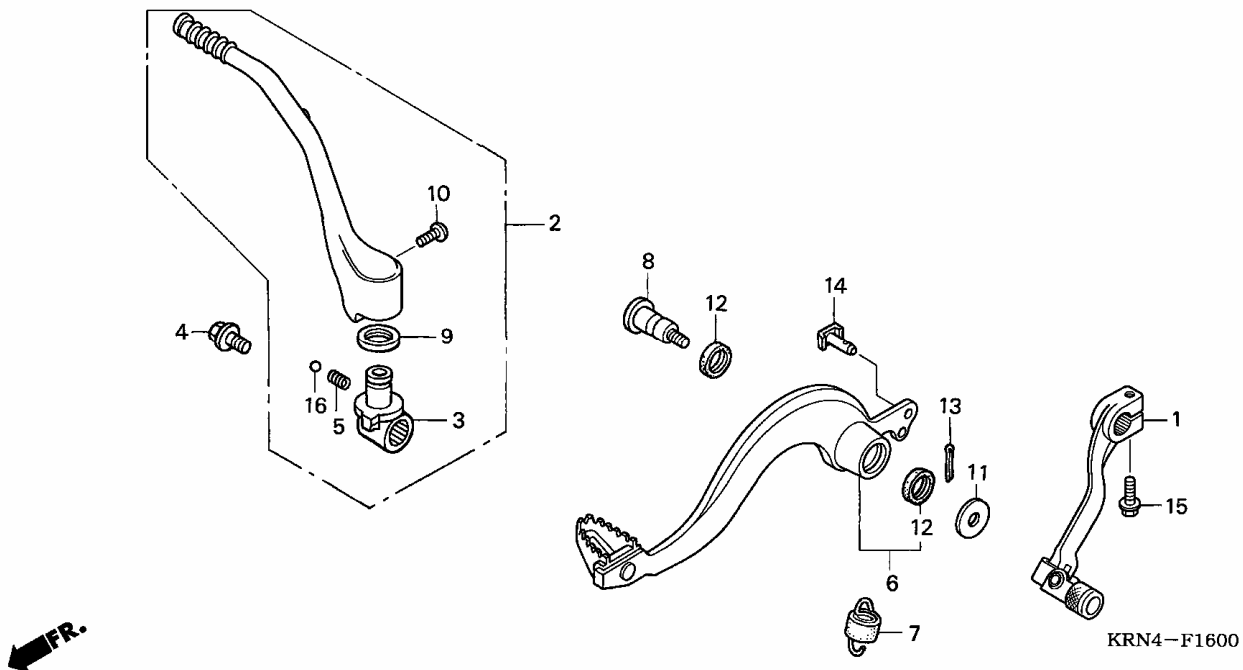
| Refnr | Part Number | Part Description | Unit Qty | Repair Qty | Price SEK (excl. VAT) |
|-------|---------------|--|----------|------------|-----------------------|
| 1 | 15771-551-000 | CLIP, OIL DRAIN TUBE | 002 | 0,00 | 39,46 |
| 2 | 16959-MY1-000 | JOINT, FUEL TUBE | 001 | 0,00 | 85,62 |
| 3 | 17212-MEN-670 | STAY, AIR CLEANER ELEMENT | 001 | 0,00 | 607,14 |
| 4 | 17213-MEB-770 | ELEMENT, AIR CLEANER | 001 | 0,00 | 432,56 |
| 5 | 17214-MEN-670 | BASE ASSY., ELEMENT | 001 | 0,00 | 337,20 |
| 6 | 17217-MEB-770 | PLATE, AIR CLEANER CASE FR. | 001 | 0,00 | 98,47 |
| 7 | 17218-KRN-000 | MUDGUARD, AIR CLEANER CASE | 001 | 0,00 | 271,82 |
| 8 | 17250-KRN-000 | CASE COMP., AIR CLEANER | 001 | 0,00 | 1 222,80 |
| 9 | 17253-KRN-000 | TUBE, AIR CLEANER CONNECTING | 001 | 0,00 | 304,76 |
| 10 | 17291-MEB-670 | BOLT, AIR CLEANER ELEMENT SETTING | 001 | 0,00 | 56,85 |
| 11 | 17358-KRN-000 | TUBE, DRAIN | 001 | 0,00 | 49,87 |
| 12 | 17359-MAG-L00 | JOINT, BREATHER TUBE | 001 | 0,00 | 34,81 |
| 13 | 17370-419-700 | PLUG, BREATHER TUBE | 001 | 0,00 | 15,34 |
| 14 | 17372-KRN-000 | TUBE A, BREATHER | 001 | 0,00 | 66,39 |
| 15 | 17374-KRN-000 | TUBE B, BREATHER | 001 | 0,00 | 66,39 |
| 16 | 17375-KRN-000 | TUBE C, BREATHER | 001 | 0,00 | 58,20 |
| 17 | 17724-102-700 | CLIP, SUB TANK HOSE | 001 | 0,00 | 10,94 |
| 18 | 90305-GK8-000 | NUT, CLIP, 6MM | 001 | 0,00 | 13,39 |
| 19 | 90501-KRN-000 | COLLAR, AIR CLEANER | 001 | 0,00 | 30,28 |
| 20 | 93913-15510- | SCREW, TAPPING, 5X20 | 002 | 0,00 | 3,75 |
| 21 | 94002-050000S | NUT, HEX., 5MM | 006 | 0,00 | 3,75 |
| 22 | 95002-02120- | CLIP, TUBE (B12) | 003 | 0,00 | 4,58 |
| 23 | 15707-634-000 | CLIP, OIL DRAIN TUBE | 001 | 0,00 | 19,75 |
| 24 | 95018-60321- | BAND, AIR CLEANER CONNECTING TUBE (60) | 001 | 0,00 | 34,14 |
| 25 | 96001-0601600 | BOLT, FLANGE, 6X16 | 001 | 0,00 | 5,68 |
| 26 | 43514-KS6-701 | CLAMP, MASTER CYLINDER OIL HOSE | 001 | 0,00 | 31,02 |

Block F-15 EXHAUST MUFFLER

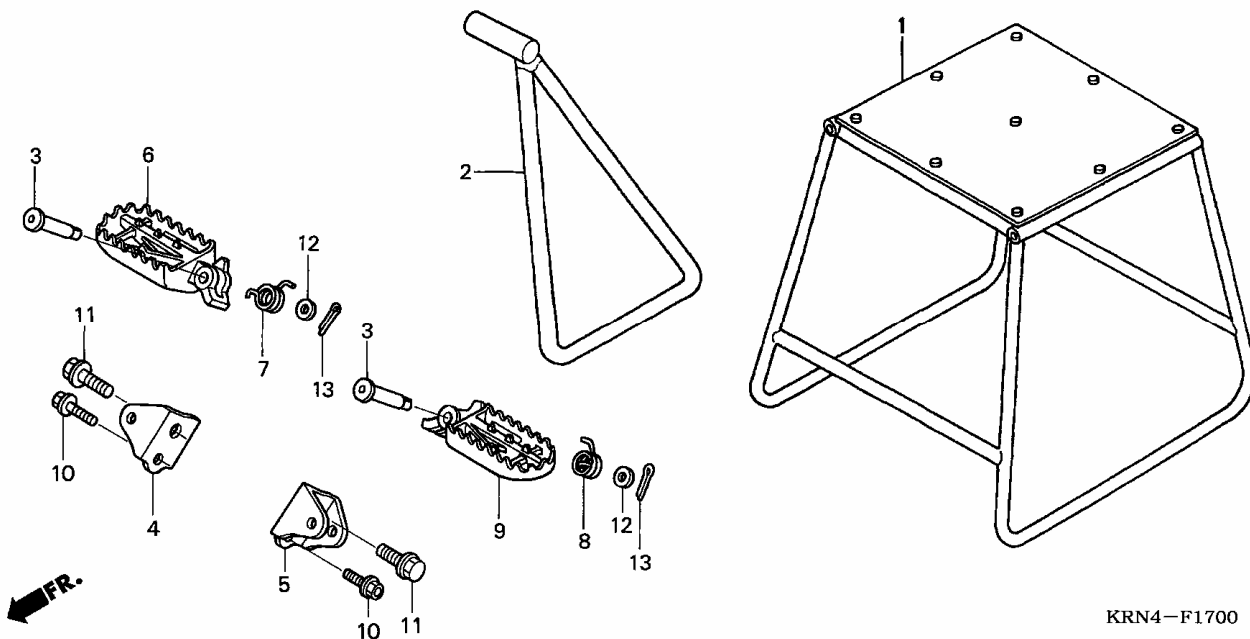


| Refnr | Part Number | Part Description | Unit Qty | Repair Qty | Price SEK (excl. VAT) |
|-------|---------------|---------------------------|----------|------------|--------------------------|
| 1 | 18291-MM5-860 | GASKET, EX. PIPE | 001 | 0,00 | 18,65 |
| 2 | 18310-KRN-000 | MUFFLER COMP. (98DB) | 001 | 0,00 | 7 403,45 |
| 3 | 18320-KRN-000 | PIPE COMP., EX. (98DB) | 001 | 0,00 | 1 927,71 |
| 4 | 18323-KRN-000 | PROTECTOR, EX. PIPE | 001 | 0,00 | 340,62 |
| 5 | 18324-KRN-000 | PROTECTOR, MUFFLER | 001 | 0,00 | 383,23 |
| 6 | 18324-MEB-670 | RIVET, BLIND, 4.8 | 012 | 0,00 | 8,61 |
| 7 | 18332-KRN-300 | CAP, END | 001 | 0,00 | 536,99 |
| 8 | 18336-KRN-000 | WOOL COMP., GLASS | 001 | 0,00 | 638,23 |
| 9 | 18350-KRN-000 | MUFFLER COMP., FR. | 001 | 0,00 | 1 914,73 |
| 10 | 18351-KRN-000 | BODY COMP., MUFFLER | 001 | 0,00 | 2 935,86 |
| 11 | 18352-KRN-000 | MUFFLER COMP., RR. (98DB) | 001 | 0,00 | 1 914,73 |
| 12 | 18374-MG7-701 | BAND, L. MUFFLER | 001 | 0,00 | 143,03 |
| 13 | 18392-MK4-000 | PACKING, MUFFLER | 001 | 0,00 | 51,33 |
| 14 | 19508-KA3-710 | NUT, SPRING, 6MM | 004 | 0,00 | 21,71 |
| 15 | 90101-KZ3-J50 | BOLT, FLANGE, 8X24 | 001 | 0,00 | 18,04 |
| 16 | 90123-KZ4-J40 | BOLT, FLANGE, 8X18 | 001 | 0,00 | 21,71 |
| 17 | 90124-KZ4-J40 | BOLT, FLANGE, 8X35 | 001 | 0,00 | 24,52 |
| 18 | 90170-MEB-670 | BOLT, SPECIAL, 6MM | 004 | 0,00 | 13,87 |
| 19 | 90406-KV3-780 | WASHER, 6MM | 002 | 0,00 | 11,80 |
| 20 | 94050-08000- | NUT, FLANGE, 8MM | 002 | 0,00 | 6,36 |
| 21 | 94102-08800- | WASHER, PLAIN, 8MM | 001 | 0,00 | 3,35 |
| 22 | 94103-08000- | WASHER, PLAIN, 8MM | 001 | 0,00 | 2,25 |

Block F-16 PEDAL/KICK STARTER ARM



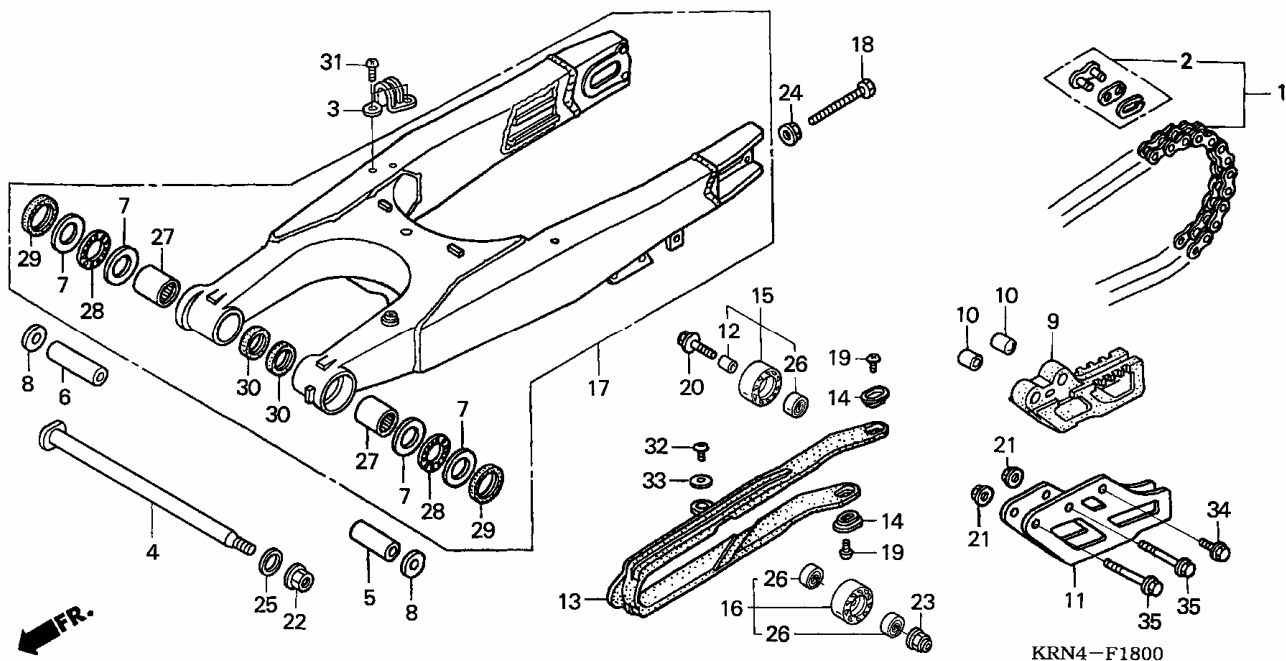
| Refnr | Part Number | Part Description | Unit Qty | Repair Qty | Price SEK (excl. VAT) |
|-------|---------------|--------------------------------|----------|------------|--------------------------|
| 1 | 24700-KRN-000 | PEDAL COMP., CHANGE | 001 | 0,00 | 602,85 |
| 2 | 28300-KRN-000 | ARM ASSY., KICK STARTER | 001 | 0,00 | 1 002,08 |
| 3 | 28302-KRN-000 | JOINT, KICK ARM | 001 | 0,00 | 416,77 |
| 4 | 28306-MEN-670 | BOLT, KICK JOINT | 001 | 0,00 | 53,66 |
| 5 | 28333-KK0-000 | SPRING, KICK STARTER | 001 | 0,00 | 14,49 |
| 6 | 46510-KRN-000 | PEDAL, RR. BRAKE | 001 | 0,00 | 733,73 |
| 7 | 46511-KZ4-J00 | SPRING ASSY., RR. BRAKE RETURN | 001 | 0,00 | 35,66 |
| 8 | 46513-KRN-000 | SHAFT, BRAKE PIVOT | 001 | 0,00 | 104,96 |
| 9 | 46525-KK0-003 | DUST SEAL, 17X20X2.5 | 001 | 0,00 | 28,08 |
| 10 | 90103-KRN-000 | BOLT, KICK ARM | 001 | 0,00 | 15,34 |
| 11 | 90404-MEN-670 | WASHER, 26X9 | 001 | 0,00 | 27,83 |
| 12 | 91251-444-000 | DUST SEAL, 15X20X2.5 | 002 | 0,00 | 29,42 |
| 13 | 94201-20120- | PIN, SPLIT, 2.0X12 | 001 | 0,00 | 1,83 |
| 14 | 95015-54000- | PIN D, JOINT | 001 | 0,00 | 7,75 |
| 15 | 96001-0602200 | BOLT, FLANGE, 6X22 | 001 | 0,00 | 7,05 |
| 16 | 96211-08000- | BALL, STEEL, #8 (1/4) | 001 | 0,00 | 3,38 |



KRN4-F1700

| Refnr | Part Number | Part Description | Unit Qty | Repair Qty | Price SEK (excl. VAT) |
|-------|---------------|------------------------|----------|------------|-----------------------|
| 1 | 50500-KA3-820 | STAND COMP., MAIN | (1) | 0,00 | 1 465,56 |
| 2 | 50530-KZ4-J40 | BAR, SIDE STAND | 001 | 0,00 | 282,23 |
| 3 | 50603-KZ4-J40 | PIN, STEP JOINT | 002 | 0,00 | 27,22 |
| 4 | 50610-MEN-670 | BRACKET, R. STEP | 001 | 0,00 | 123,56 |
| 5 | 50611-MEN-670 | BRACKET, L. STEP | 001 | 0,00 | 123,56 |
| 6 | 50616-MEN-670 | ARM, R. STEP | 001 | 0,00 | 338,66 |
| 7 | 50617-KZ4-J40 | SPRING, R. STEP RETURN | 001 | 0,00 | 19,51 |
| 8 | 50618-KZ4-J40 | SPRING, L. STEP RETURN | 001 | 0,00 | 19,51 |
| 9 | 50642-MEN-670 | ARM, L. STEP | 001 | 0,00 | 338,66 |
| 10 | 90101-KZ3-J50 | BOLT, FLANGE, 8X24 | 002 | 0,00 | 18,04 |
| 11 | 90101-KZ4-J40 | BOLT, STEP, 12MM | 002 | 0,00 | 28,20 |
| 12 | 94102-08800- | WASHER, PLAIN, 8MM | 002 | 0,00 | 3,35 |
| 13 | 94201-25150- | PIN, SPLIT, 2.5X15 | 002 | 0,00 | 3,75 |

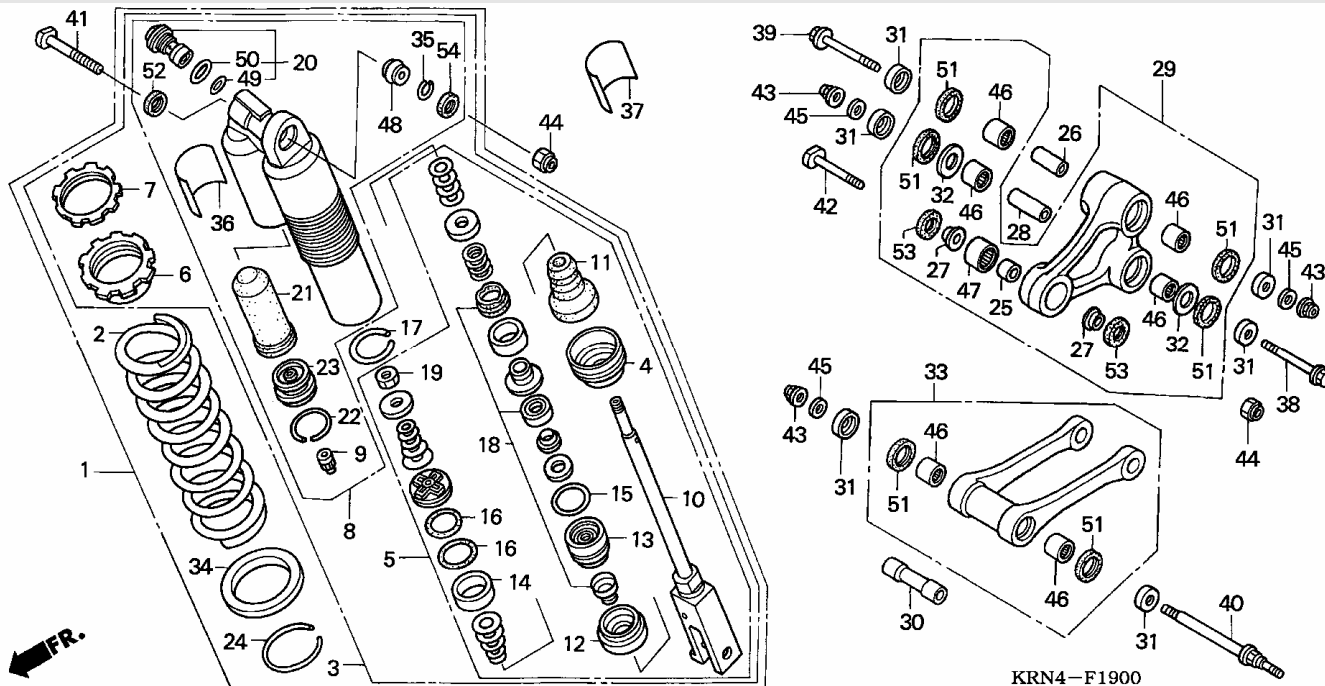
Block F-18 SWINGARM



KRN4-F1800

| Refnr | Part Number | Part Description | Unit Qty | Repair Qty | Price SEK (excl. VAT) |
|-------|---------------|--|----------|------------|-----------------------|
| 1 | 40530-KZ3-J31 | CHAIN, DRIVE (DAIDO) (DID520DMA2-114RB) (STANDARD LINK 114L) | 001 | 0,00 | 937,49 |
| 1 | 40540-MEN-003 | CHAIN, DRIVE (DAIDO) (DID520DMA2-120RB) (STANDARD LINK 114L) | (1) | 0,00 | 1 209,76 |
| 2 | 40531-KZ4-J31 | JOINT, DRIVE CHAIN (DAIDO) | 001 | 0,00 | 64,93 |
| 3 | 43468-KZ3-B00 | GUIDE, RR. BRAKE HOSE | 001 | 0,00 | 32,73 |
| 4 | 52101-KZ4-J40 | SHAFT, SWINGARM PIVOT | 001 | 0,00 | 200,45 |
| 5 | 52141-KZ3-J40 | COLLAR, SWINGARM, 49MM | 001 | 0,00 | 99,94 |
| 6 | 52141-KZ4-J40 | COLLAR, SWINGARM PIVOT (59MM) | 001 | 0,00 | 99,94 |
| 7 | 52143-KZ3-860 | WASHER, SWINGARM SIDE | 004 | 0,00 | 19,26 |
| 8 | 52143-KZ4-J40 | COLLAR, SWINGARM PIVOT SIDE | 002 | 0,00 | 24,77 |
| 9 | 52146-MEN-000 | GUIDE, CHAIN | 001 | 0,00 | 199,96 |
| 10 | 52148-MEN-000 | COLLAR, CHAIN GUIDE | 002 | 0,00 | 31,26 |
| 11 | 52156-ML3-910 | PLATE, CHAIN GUIDE | 001 | 0,00 | 385,92 |
| 12 | 52160-MEN-000 | COLLAR, CHAIN TENSIONER | 001 | 0,00 | 24,04 |
| 13 | 52170-MEB-750 | SLIDER, CHAIN | 001 | 0,00 | 464,89 |
| 14 | 52171-KR6-000 | WASHER, CHAIN SLIDER | 002 | 0,00 | 5,43 |
| 15 | 52175-MEN-000 | ROLLER, CHAIN (42) | 001 | 0,00 | 321,65 |
| 16 | 52176-KZ3-J40 | ROLLER COMP., CHAIN LOWER | 001 | 0,00 | 321,65 |
| 17 | 52200-KSK-000 | SWINGARM SUB ASSY., RR. | 001 | 0,00 | 6 201,74 |
| 18 | 90105-MEN-000 | BOLT, HEX., 8X47.5 | 002 | 0,00 | 25,26 |
| 19 | 90115-KV3-700 | SCREW, PAN, 5X8 | 002 | 0,00 | 10,32 |
| 20 | 90124-MEB-770 | BOLT, FLANGE, 8X32 | 001 | 0,00 | 18,41 |
| 21 | 90301-473-003 | NUT, U, 6MM | 002 | 0,00 | 23,42 |
| 22 | 90305-KZ3-B01 | NUT, U, HEX. 14MM | 001 | 0,00 | 26,00 |
| 23 | 90309-ML3-791 | NUT, U, 8MM | 001 | 0,00 | 26,00 |
| 24 | 90309-357-000 | NUT, HEX., 8MM | 002 | 0,00 | 38,61 |
| 25 | 90501-GBL-730 | WASHER, 14MM | 001 | 0,00 | 12,77 |
| 26 | 91011-GCT-003 | BEARING, RADIAL BALL, 608UU | 003 | 0,00 | 174,86 |
| 27 | 91071-MJ0-003 | BEARING, NEEDLE (NTN) | 002 | 0,00 | 184,29 |
| 28 | 91072-KZ3-861 | BEARING, NEEDLE THRUST | 002 | 0,00 | 64,31 |
| 29 | 91253-KZ3-861 | DUST SEAL, 30X37X4 | 002 | 0,00 | 55,62 |
| 30 | 91283-ML7-003 | DUST SEAL, 22X29X4 (ARAI) | 002 | 0,00 | 55,62 |
| 31 | 93500-050080A | SCREW, PAN, 5X8 | 002 | 0,00 | 1,83 |
| 32 | 93500-050080G | SCREW, PAN, 5X8 | 001 | 0,00 | 3,35 |
| 33 | 94103-05700- | WASHER, PLAIN, 5MM | 001 | 0,00 | 1,83 |
| 34 | 96001-0601200 | BOLT, FLANGE, 6X12 | 001 | 0,00 | 7,75 |
| 35 | 96001-0605000 | BOLT, FLANGE, 6X50 | 002 | 0,00 | 10,08 |

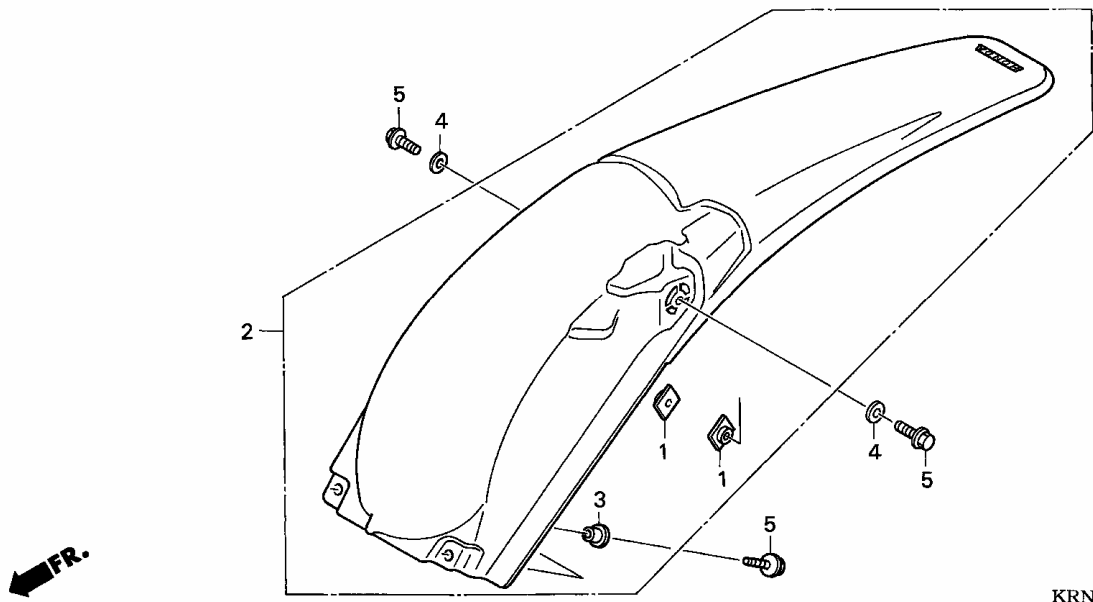
Block F-19 REAR CUSHION



| Refnr | Part Number | Part Description | Unit Qty | Repair Qty | Price SEK (excl. VAT) |
|-------|---------------|--|----------|------------|--------------------------|
| 1 | 52400-KRN-671 | CUSHION ASSY., RR. | 001 | 0,00 | 5 964,49 |
| 2 | 52402-MEB-751 | SPRING, RR. CUSHION (SHOWA) (52N/MM,5.3KGF/MM) | 001 | 0,00 | 1 285,37 |
| 2 | 52401-KZ3-J51 | SPRING, RR. CUSHION (SHOWA) (50N/MM,5.1KGF/MM) | (1) | 0,00 | 1 255,37 |
| 2 | 52401-MEB-751 | SPRING, RR. CUSHION (SHOWA) (54N/MM,5.5KGF/MM) | (1) | 0,00 | 1 285,37 |
| 2 | 52403-MEB-751 | SPRING, RR. CUSHION (SHOWA) (55N/MM,5.7KGF/MM) | (1) | 0,00 | 1 285,37 |
| 3 | 52410-KRN-671 | DAMPER COMP., RR. | 001 | 0,00 | 6 980,48 |
| 4 | 52419-KZ3-J21 | STOPPER, SPRING SEAT | 001 | 0,00 | 92,35 |
| 5 | 52421-KRN-671 | ROD COMP., PISTON | 001 | 0,00 | 2 796,55 |
| 6 | 52422-KZ3-J31 | ADJUSTER, SPRING | 001 | 0,00 | 142,42 |
| 7 | 52423-KZ3-J21 | NUT, ADJUSTER | 001 | 0,00 | 98,60 |
| 8 | 52425-KRN-671 | CASE COMP., DAMPER | 001 | 0,00 | 3 680,69 |
| 9 | 52425-381-771 | CAP, AIR VALVE | 001 | 0,00 | 36,65 |
| 10 | 52426-MEN-003 | ROD COMP. | 001 | 0,00 | 2 505,43 |
| 11 | 52427-MEB-751 | RUBBER, STOPPER | 001 | 0,00 | 101,65 |
| 12 | 52428-KZ3-J31 | PLATE, END | 001 | 0,00 | 0,00 |
| 13 | 52429-KZ3-J41 | CASE COMP., ROD GUIDE | 001 | 0,00 | 92,35 |
| 14 | 52431-KZ3-J31 | RING, PISTON | 001 | 0,00 | 119,53 |
| 15 | 52434-KZ3-J21 | O-RING, 3.5X43.7 | 001 | 0,00 | 37,63 |
| 16 | 52434-KZ3-J31 | O-RING, 42.5X2.0 | 002 | 0,00 | 35,66 |
| 17 | 52435-KZ3-J21 | RING, STOPPER | 001 | 0,00 | 17,43 |
| 18 | 52436-MEN-671 | OIL SEAL SET | 001 | 0,00 | 176,82 |
| 19 | 52438-KA4-741 | NUT, HEX., 12MM | 002 | 0,00 | 15,10 |
| 20 | 52440-MEN-671 | ADJUSTER, COMPRESSION DAMPING FORCE | 001 | 0,00 | 572,24 |
| 21 | 52451-KZ3-891 | BLADDER | 001 | 0,00 | 127,24 |
| 22 | 52452-KS7-831 | RING, STOPPER | 001 | 0,00 | 16,69 |
| 23 | 52453-KS7-831 | CAP COMP., CHAMBER | 001 | 0,00 | 281,86 |
| 24 | 52455-KZ3-J21 | RING, STOPPER | 001 | 0,00 | 41,67 |
| 25 | 52463-KZ4-B00 | COLLAR D, CUSHION | 001 | 0,00 | 15,34 |
| 26 | 52463-KZ4-J40 | COLLAR C, CUSHION ARM | 001 | 0,00 | 50,23 |
| 27 | 52464-KZ4-B00 | COLLAR D, CUSHION SIDE | 002 | 0,00 | 16,69 |
| 28 | 52464-KZ4-J20 | COLLAR B, CUSHION | 001 | 0,00 | 56,60 |
| 29 | 52465-KSK-000 | ARM SUB ASSY., CUSHION | 001 | 0,00 | 1 751,55 |
| 30 | 52473-KZ4-J20 | COLLAR A, CONNECTING ROD | 001 | 0,00 | 119,04 |
| 31 | 52475-KZ4-J20 | COLLAR, LINK SIDE | 006 | 0,00 | 54,89 |
| 32 | 52476-KZ4-J20 | WASHER, THRUST | 002 | 0,00 | 41,05 |
| 33 | 52479-KSK-000 | ROD SUB ASSY., CUSHION CONNECTING | 001 | 0,00 | 1 241,04 |
| 34 | 52486-KZ3-J21 | SEAT, SPRING | 001 | 0,00 | 123,07 |
| 35 | 52487-KA4-831 | RING, STOPPER | 001 | 0,00 | 18,65 |
| 36 | 87516-KZ1-600 | LABEL, RR. DAMPER WARNING | 001 | 0,00 | 37,63 |
| 37 | 87516-KZ1-881 | LABEL, RR. DAMPER WARNING (FRENCH) | 001 | 0,00 | 30,52 |
| 38 | 90130-KZ4-J20 | BOLT, LINK, 12X96 | 001 | 0,00 | 62,24 |
| 39 | 90130-KZ4-J40 | BOLT, LINK, 12X81.5 | 001 | 0,00 | 57,34 |
| 40 | 90131-KZ4-J40 | BOLT, LINK, 12X120 | 001 | 0,00 | 76,68 |
| 41 | 90152-MEB-750 | BOLT, CUSHION UPPER, 10X53 | 001 | 0,00 | 23,18 |
| 42 | 90153-KZ4-710 | BOLT, CUSHION LOWER, 10X43.5 | 001 | 0,00 | 23,42 |
| 43 | 90306-KBP-901 | NUT, U, 12MM | 003 | 0,00 | 32,85 |
| 44 | 90306-KZ4-711 | NUT, U, 10MM | 002 | 0,00 | 18,28 |
| 45 | 90501-KZ4-J40 | WASHER, PLAIN, 12MM | 003 | 0,00 | 24,04 |
| 46 | 91053-KZ4-J21 | BEARING, NEEDLE, 20X26X14 | 006 | 0,00 | 98,72 |
| 47 | 91074-KZ4-B01 | BEARING, NEEDLE, 19X26X15 | 001 | 0,00 | 175,85 |

| | | | | | |
|----|---------------|------------------------------|-----|------|--------|
| 48 | 91074-MAC-741 | BEARING, SPHERICAL, 10 | 001 | 0,00 | 158,33 |
| 49 | 91256-KZ3-731 | O-RING, 21.5X1.5 | 001 | 0,00 | 14,49 |
| 50 | 91257-KZ3-891 | O-RING, 26.2X1.9 | 001 | 0,00 | 19,63 |
| 51 | 91262-KZ3-731 | DUST SEAL, 25X32X4 | 006 | 0,00 | 74,72 |
| 52 | 91351-KZ3-731 | DUST SEAL, RR. CUSHION PIVOT | 001 | 0,00 | 27,47 |
| 53 | 91351-KZ4-B01 | DUST SEAL, 17X26X3 | 002 | 0,00 | 26,37 |
| 54 | 91351-MAC-671 | DUST SEAL, 16X26X3 | 001 | 0,00 | 28,20 |

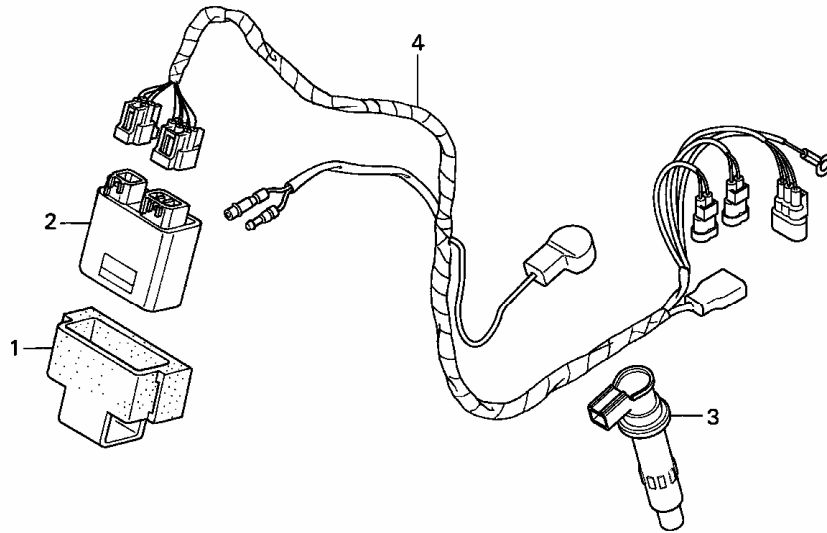
Block F-20 REAR FENDER



KRN4-F2000

| Refnr | Part Number | Part Description | Unit Qty | Repair Qty | Price SEK (excl. VAT) |
|-------|---------------|------------------------------|----------|------------|--------------------------|
| 1 | 61304-958-003 | NUT, SPECIAL, 6X7 | 002 | 0,00 | 24,04 |
| 2 | 80101-KRN-000 | FENDER SET, RR. (WL) *R292R* | 001 | 0,00 | 387,39 |
| 3 | 90503-KRN-000 | COLLAR, RR. FENDER | 002 | 0,00 | 40,19 |
| 4 | 94101-06800- | WASHER, PLAIN, 6MM | 002 | 0,00 | 1,83 |
| 5 | 96001-0601600 | BOLT, FLANGE, 6X16 | 004 | 0,00 | 5,68 |

Block F-21 WIRE HARNESS

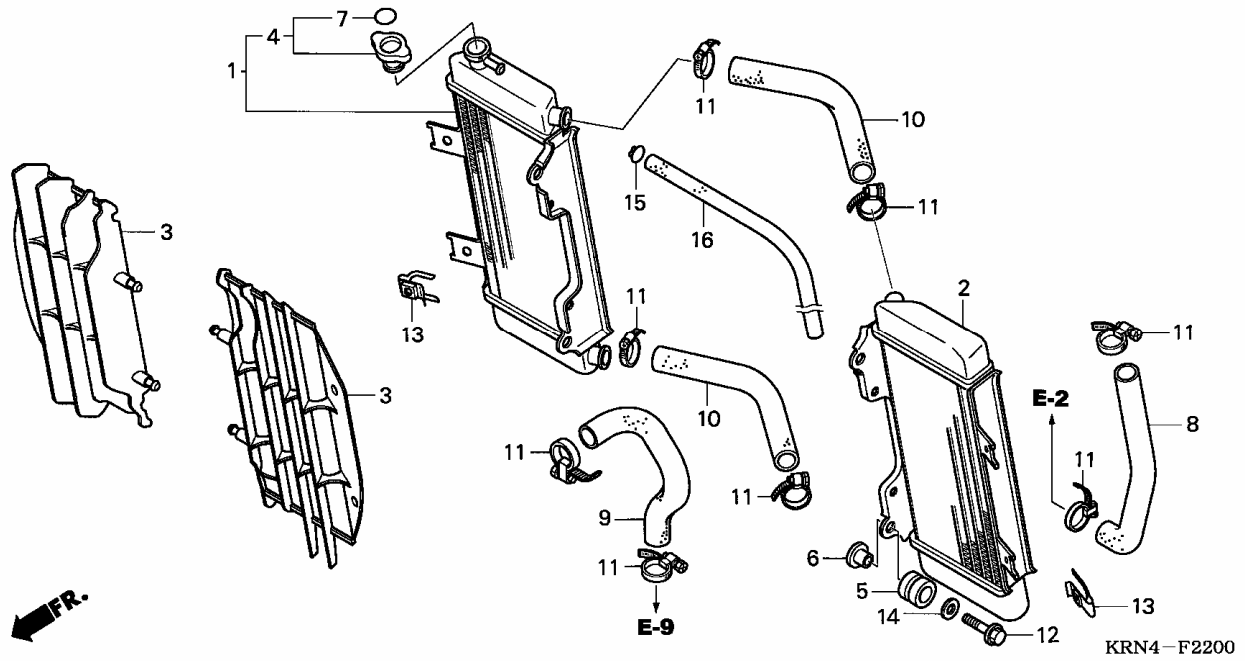


FR.

KRN4-F2100

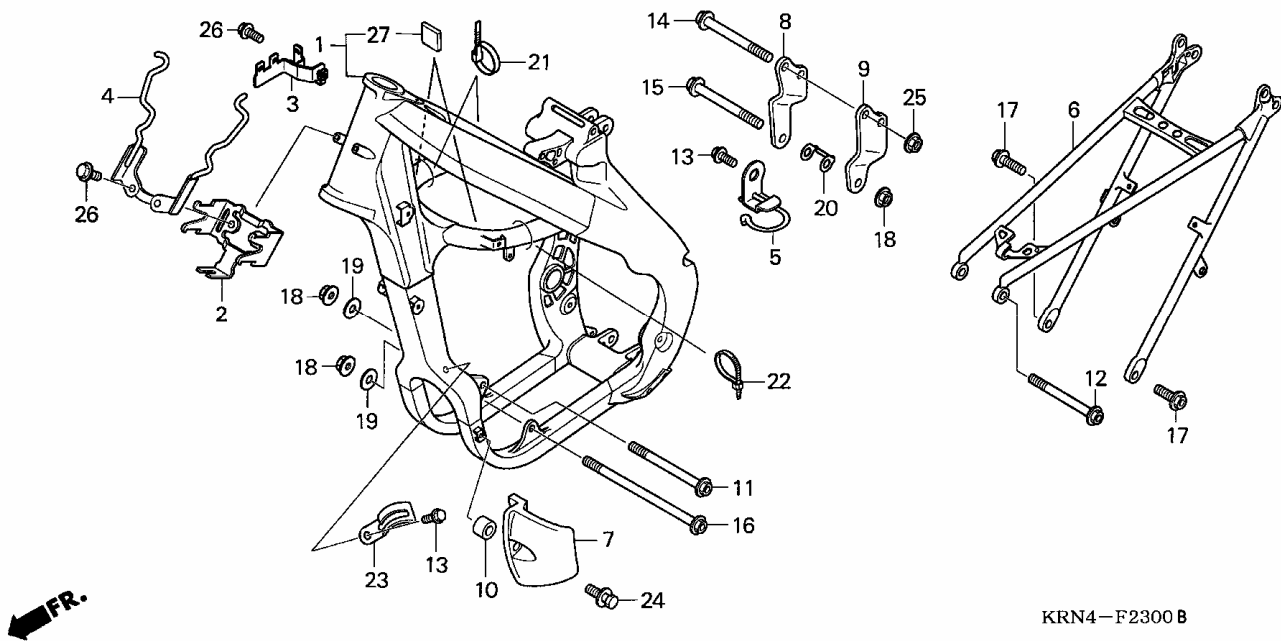
| Refnr | Part Number | Part Description | Unit Qty | Repair Qty | Price SEK (excl. VAT) |
|-------|---------------|-----------------------------|----------|------------|--------------------------|
| 1 | 30401-KRN-000 | CUSHION, C.D.I. UNIT | 001 | 0,00 | 88,56 |
| 2 | 30410-KRN-670 | C.D.I. UNIT | 001 | 0,00 | 2 828,25 |
| 3 | 30700-KRN-670 | CAP ASSY., NOISE SUPPRESSOR | 001 | 0,00 | 562,95 |
| 4 | 32100-KRN-670 | HARNESS, WIRE | 001 | 0,00 | 650,85 |

Block F-22 RADIATOR

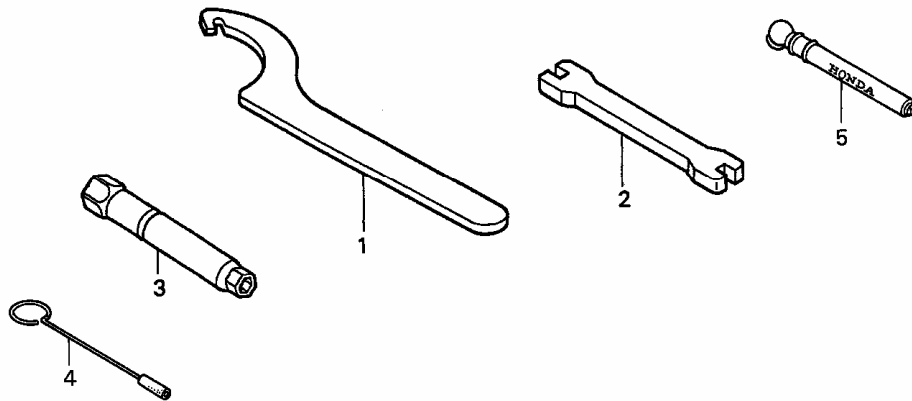


| Refnr | Part Number | Part Description | Unit Qty | Repair Qty | Price SEK (excl. VAT) |
|-------|---------------|--|----------|------------|--------------------------|
| 1 | 19010-KRN-640 | RADIATOR, R. | 001 | 0,00 | 2 239,40 |
| 2 | 19015-KRN-003 | RADIATOR, L. | 001 | 0,00 | 2 239,40 |
| 3 | 19033-KRN-000 | GRILLE, RADIATOR | 002 | 0,00 | 263,25 |
| 4 | 19037-KRN-640 | CAP COMP., RADIATOR | 001 | 0,00 | 222,86 |
| 5 | 19051-KRN-000 | RUBBER, RADIATOR MOUNTING | 004 | 0,00 | 22,20 |
| 6 | 19052-MAC-680 | COLLAR, RADIATOR MOUNTING | 004 | 0,00 | 22,45 |
| 7 | 19055-KRN-640 | SEAL, RADIATOR CAP | 001 | 0,00 | 35,91 |
| 8 | 19061-KRN-000 | HOSE A, WATER | 001 | 0,00 | 102,38 |
| 9 | 19062-KRN-000 | HOSE B, WATER | 001 | 0,00 | 74,48 |
| 10 | 19064-KRN-000 | HOSE D, WATER | 002 | 0,00 | 55,86 |
| 11 | 19506-KS6-700 | CLAMP B, WATER HOSE | 008 | 0,00 | 22,81 |
| 12 | 90001-GB4-000 | BOLT, FLANGE, 6X23.5 | 004 | 0,00 | 10,45 |
| 13 | 90303-KRN-000 | NUT, CLIP, 6MM | 002 | 0,00 | 19,02 |
| 14 | 90403-KA3-830 | WASHER, RADIATOR MOUNTING | 004 | 0,00 | 8,37 |
| 15 | 95002-02080- | CLIP, TUBE (B8) | 001 | 0,00 | 3,75 |
| 16 | 95003-1407310 | TUBE, VINYL, 6X9X730 (95003-14001-10M) | 001 | 0,00 | 18,74 |

Block F-23 FRAME BODY



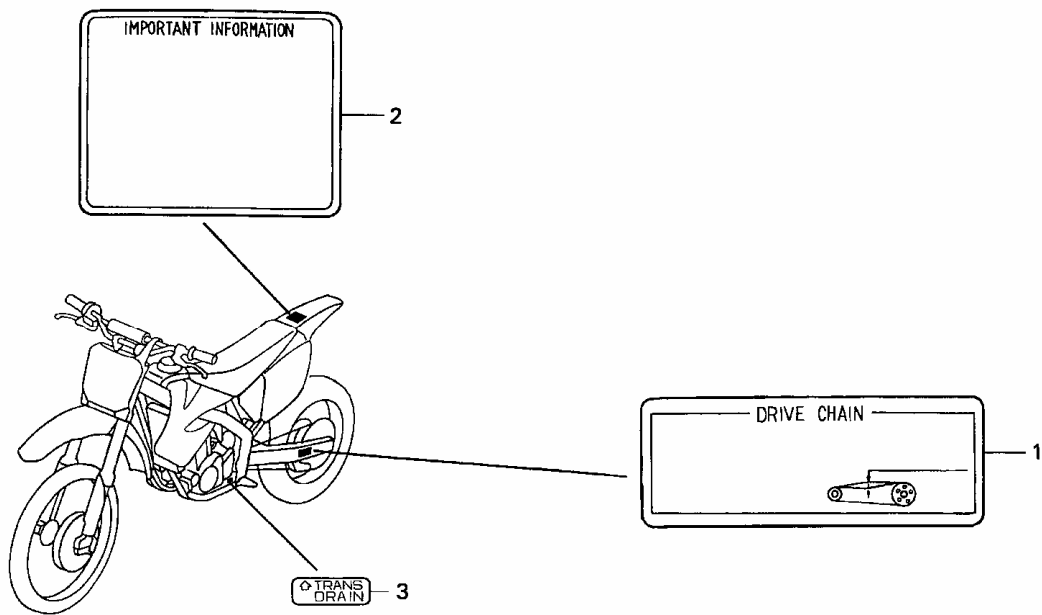
| Refnr | Part Number | Part Description | Unit Qty | Repair Qty | Price SEK (excl. VAT) |
|-------|---------------|---------------------------|----------|------------|-----------------------|
| 1 | 50010-KRN-000 | BODY COMP., FRAME | 001 | 0,00 | 6 784,53 |
| 2 | 50124-KRN-000 | BRACKET, C.D.I. UNIT | 001 | 0,00 | 81,21 |
| 3 | 50126-KRN-000 | STAY, COUPLER | 001 | 0,00 | 49,50 |
| 4 | 50128-KRN-000 | GUIDE, HARNESS | 001 | 0,00 | 122,46 |
| 5 | 50197-KRN-000 | CLIP, FUEL TUBE | 001 | 0,00 | 36,53 |
| 6 | 50200-KRN-000 | BODY COMP., RR. FRAME | 001 | 0,00 | 2 371,19 |
| 7 | 50360-KRN-000 | GUARD, L. ENGINE | 001 | 0,00 | 113,16 |
| 8 | 50407-KRN-000 | BRACKET, R. HEAD HANGER | 001 | 0,00 | 120,75 |
| 9 | 50408-KRN-000 | BRACKET, L. HEAD HANGER | 001 | 0,00 | 120,75 |
| 10 | 52156-353-300 | COLLAR, 6X4 | 001 | 0,00 | 30,77 |
| 11 | 90101-KZ3-J20 | BOLT, FLANGE, 10X117 | 001 | 0,00 | 27,96 |
| 12 | 90105-KRN-000 | BOLT, FLANGE, 8X125 | 001 | 0,00 | 44,48 |
| 13 | 90106-KRN-000 | BOLT, FLANGE, 5X12 | 002 | 0,00 | 12,29 |
| 14 | 90107-KRN-000 | BOLT, FLANGE, 8X55 | 002 | 0,00 | 19,99 |
| 15 | 90109-KRN-000 | BOLT, FLANGE, 10X58 | 001 | 0,00 | 25,26 |
| 16 | 90116-KW3-000 | BOLT, FLANGE, 10X138 | 001 | 0,00 | 49,01 |
| 17 | 90122-KRN-000 | BOLT, FLANGE, 10X26 | 002 | 0,00 | 19,99 |
| 18 | 90302-KZ3-J40 | NUT, FLANGE, 10MM | 003 | 0,00 | 19,75 |
| 19 | 90410-HC4-000 | WASHER, 10MM | 002 | 0,00 | 6,78 |
| 20 | 90511-KRN-000 | WASHER, HEAD HANGER PLATE | 001 | 0,00 | 51,83 |
| 21 | 90651-KV6-003 | BAND, WIRE | 002 | 0,00 | 26,61 |
| 22 | 90652-KT1-771 | BAND, WIRE (BLACK) | 001 | 0,00 | 13,14 |
| 23 | 91404-KRN-000 | CLIP, 2X70 | 001 | 0,00 | 19,51 |
| 24 | 93404-0601400 | BOLT-WASHER, 6X14 | 001 | 0,00 | 4,99 |
| 25 | 94050-08000- | NUT, FLANGE, 8MM | 002 | 0,00 | 6,36 |
| 26 | 96001-0601200 | BOLT, FLANGE, 6X12 | 003 | 0,00 | 7,75 |
| 27 | 50283-MR7-300 | RUBBER, SEAT RAIL | 002 | 0,00 | 17,43 |



KRN4-F2400

| Refnr | Part Number | Part Description | Unit Qty | Repair Qty | Price SEK (excl. VAT) |
|-------|---------------|------------------------------|----------|------------|--------------------------|
| 1 | 89201-KS6-810 | SPANNER A, PIN | (2) | 0,00 | 357,52 |
| 2 | 89212-KZ4-J40 | WRENCH, NIPPLE | 001 | 0,00 | 65,66 |
| 3 | 89216-MEB-670 | WRENCH, PLUG (16MM) | 001 | 0,00 | 78,64 |
| 4 | 89217-KRN-000 | TOOL, CARBURETOR MAINTENANCE | 001 | 0,00 | 38,61 |
| 5 | 89301-KA4-811 | GAUGE, AIR PRESSURE | (1) | 0,00 | 1 009,17 |

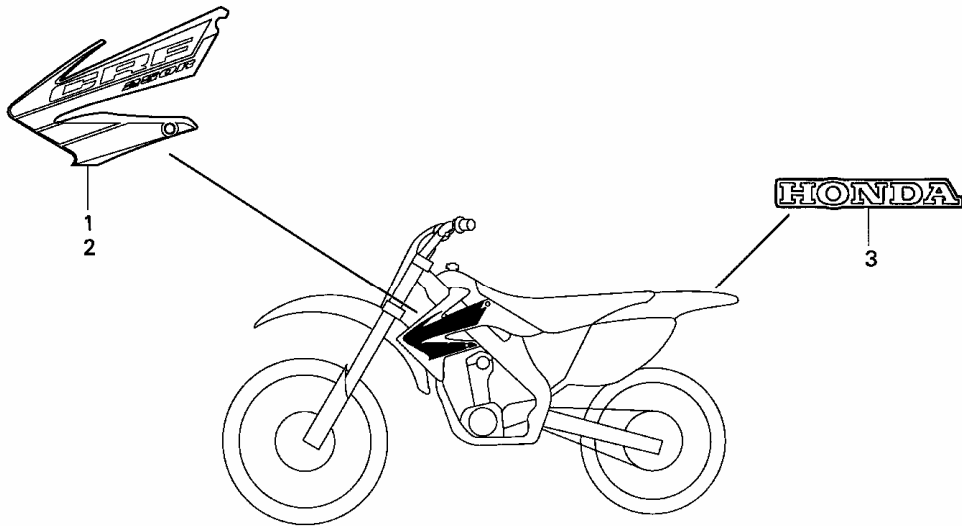
Block F-25 CAUTION LABEL



KRN3-F2500

| Refnr | Part Number | Part Description | Unit Qty | Repair Qty | Price SEK (excl. VAT) |
|-------|---------------|-----------------------------|----------|------------|-----------------------|
| 1 | 87507-KZ3-B10 | LABEL, DRIVE CHAIN | 001 | 0,00 | 37,63 |
| 1 | 87507-KZ3-B90 | LABEL, DRIVE CHAIN (FRENCH) | 001 | 0,00 | 37,63 |
| 2 | 87560-GBF-770 | MARK, CAUTION | 001 | 0,00 | 24,28 |
| 2 | 87560-ML3-970 | MARK, CAUTION (FRENCH) | 001 | 0,00 | 36,65 |
| 3 | 87564-KRN-000 | LABEL, TRANSMISSION DRAIN | 001 | 0,00 | 6,29 |

Block F-26 MARK



KRN4-F2600

| Refnr | Part Number | Part Description | Unit Qty | Repair Qty | Price SEK (excl. VAT) |
|-------|---------------|----------------------------------|----------|------------|--------------------------|
| 1 | 87126-KRN-000 | MARK, R. RADIATOR SHROUD *TYPE1* | 001 | 0,00 | 431,83 |
| 2 | 87127-KRN-000 | MARK, L. RADIATOR SHROUD *TYPE1* | 001 | 0,00 | 432,07 |
| 3 | 87130-MBN-830 | MARK (HONDA) *TYPE1* | 001 | 0,00 | 38,97 |