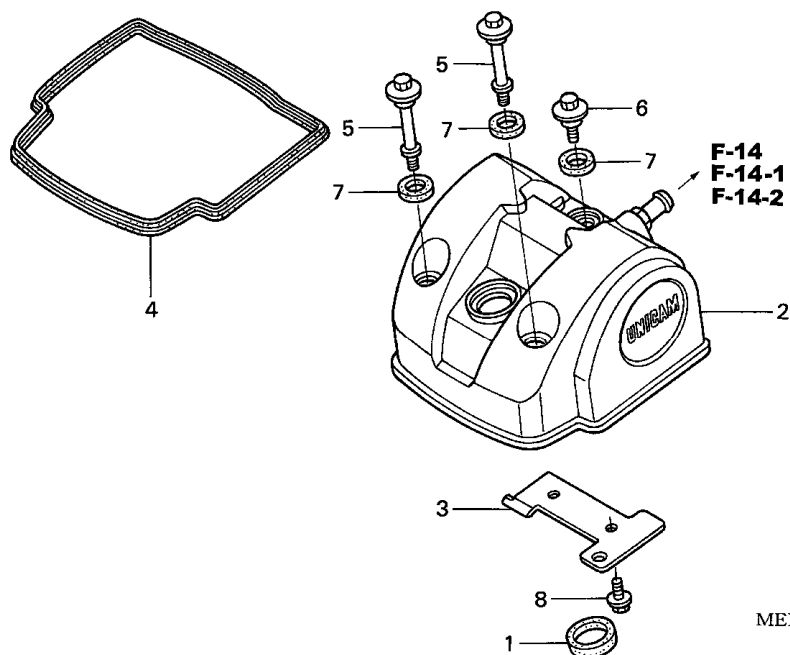


Reservdelsbok



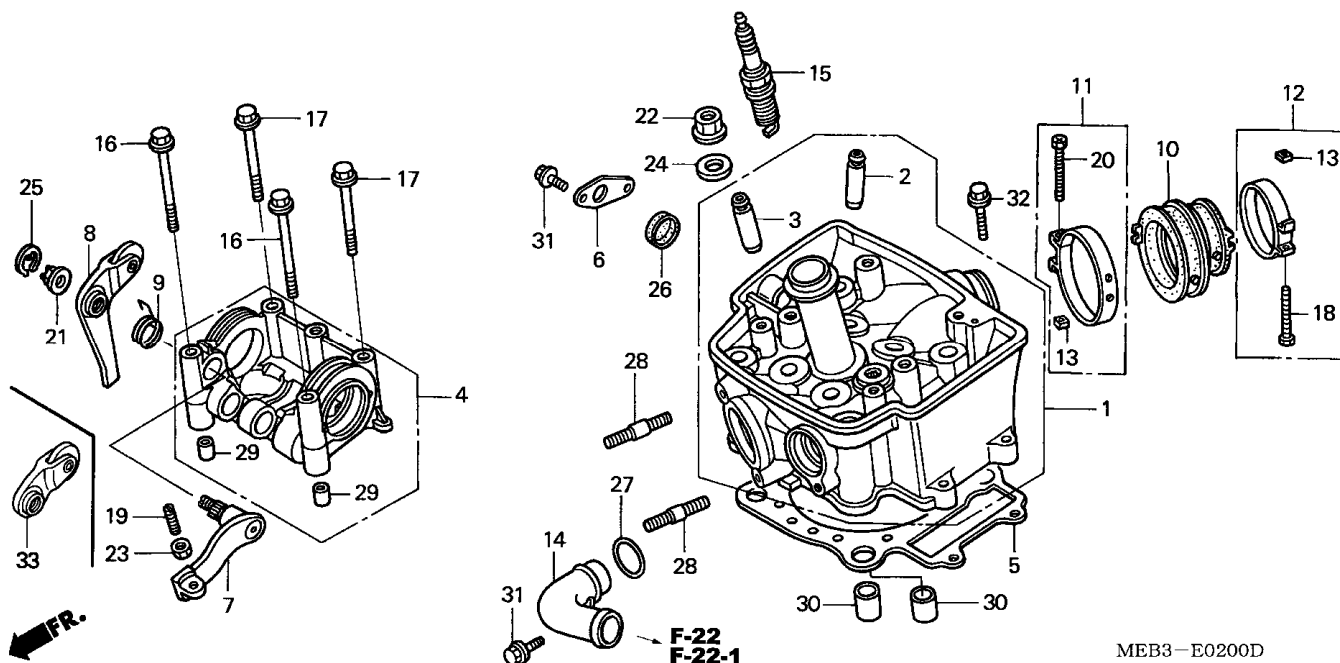
CRF450R5

Block E-1 CYLINDER HEAD COVER



| Refnr | Part Number | Part Description | Unit Qty | Repair Qty | Price SEK (excl. VAT) |
|-------|---------------|----------------------------|----------|------------|-----------------------|
| 1 | 12226-MEB-670 | SEAL, RING | 001 | 0,00 | 34,95 |
| 2 | 12310-MEB-670 | COVER COMP., CYLINDER HEAD | 001 | 0,00 | 1 488,41 |
| 3 | 12316-MEN-730 | PLATE, BREATHER | 001 | 0,00 | 0,00 |
| 4 | 12391-MEB-670 | GASKET, HEAD COVER | 001 | 0,00 | 127,59 |
| 5 | 90001-MEB-670 | BOLT, HEAD COVER | 002 | 0,00 | 49,34 |
| 6 | 90002-MEB-670 | BOLT, HEAD COVER | 001 | 0,00 | 35,28 |
| 7 | 90543-MV9-670 | RUBBER, MOUNTING | 003 | 0,00 | 24,06 |
| 8 | 96300-0601200 | BOLT, FLANGE, 6X12 | 002 | 0,00 | 8,30 |

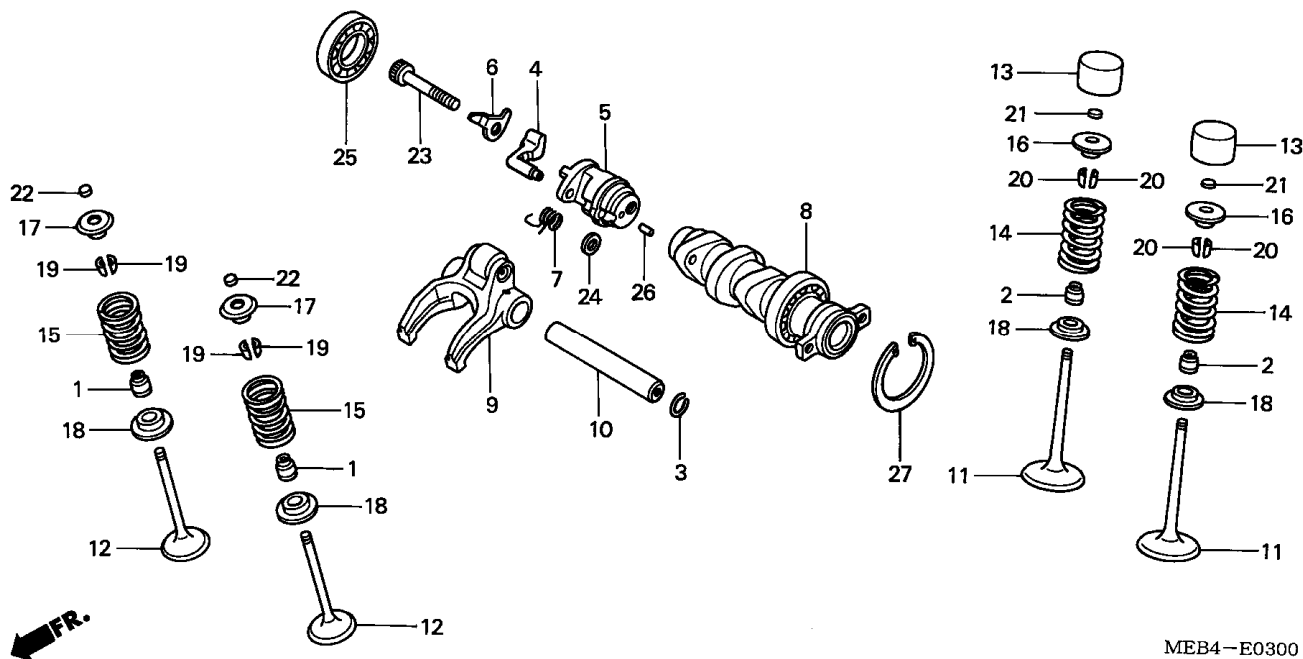
Block E-2 CYLINDER HEAD



MEB3-E0200D

| Refnr | Part Number | Part Description | Unit Qty | Repair Qty | Price SEK (excl. VAT) |
|-------|---------------|---------------------------------|----------|------------|-----------------------|
| 1 | 12200-MEN-730 | HEAD COMP., CYLINDER | 001 | 0,00 | 0,00 |
| 2 | 12204-MEB-P00 | GUIDE, IN. VALVE (O.S.) | 002 | 0,00 | 106,73 |
| 3 | 12205-MEB-P00 | GUIDE, EX. VALVE (O.S.) | 002 | 0,00 | 106,73 |
| 4 | 12240-MEB-770 | HOLDER COMP., CAMSHAFT | 001 | 0,00 | 1 028,99 |
| 5 | 12251-MEB-671 | GASKET, CYLINDER HEAD | 001 | 0,00 | 261,18 |
| 7 | 14120-MEB-770 | ARM, DECOMPRESSION LIFTER | 001 | 0,00 | 839,63 |
| 9 | 14133-MEB-670 | SPRING, DECOMPRESSION ARM | 001 | 0,00 | 13,03 |
| 10 | 16210-MEB-670 | INSULATOR, CARBURETOR | 001 | 0,00 | 109,09 |
| 11 | 16218-MCA-000 | BAND, INSULATOR | 001 | 0,00 | 64,60 |
| 12 | 16218-MCJ-000 | BAND B, INSULATOR | 001 | 0,00 | 75,23 |
| 13 | 16222-MV4-300 | NUT, SQUARE, 5MM | 002 | 0,00 | 10,41 |
| 14 | 19523-KRN-730 | JOINT, WATER | 001 | 0,00 | 0,00 |
| 15 | 31918-MEB-671 | PLUG, SPARK (IFR8H11) (NGK) | 001 | 0,00 | 359,27 |
| 15 | 31918-MEB-672 | PLUG, SPARK (VK24PRZ11) (DENSO) | 001 | 0,00 | 422,64 |
| 15 | 31919-MEB-671 | PLUG, SPARK (IFR9H11) (NGK) | (1) | 0,00 | 359,27 |
| 15 | 31919-MEB-672 | PLUG, SPARK (VK27PRZ11) (DENSO) | (1) | 0,00 | 422,64 |
| 16 | 90003-MEB-770 | BOLT, FLANGE, 6X72 | 002 | 0,00 | 34,16 |
| 17 | 90002-MEB-770 | BOLT, FLANGE, 6X65 | 002 | 0,00 | 34,16 |
| 18 | 90005-MCJ-000 | BOLT, RECESSED, 5X28 | 001 | 0,00 | 19,35 |
| 19 | 90012-MEB-670 | SCREW, TAPPET ADJUSTING | 001 | 0,00 | 18,81 |
| 20 | 90023-MM5-000 | BOLT, RECESSED, 5X28 | 001 | 0,00 | 18,04 |
| 21 | 90201-MEB-670 | NUT, SPECIAL, 8MM | 001 | 0,00 | 80,09 |
| 22 | 90204-634-000 | NUT, FLANGE, 10MM | 004 | 0,00 | 41,26 |
| 23 | 90206-KM3-000 | NUT, TAPPET ADJUSTING | 001 | 0,00 | 9,36 |
| 24 | 90453-KCY-670 | WASHER, PLAIN, 10MM | 004 | 0,00 | 19,99 |
| 25 | 90603-MEB-670 | CIRCLIP, SPECIAL, 12MM | 001 | 0,00 | 15,92 |
| 27 | 91312-KE7-003 | O-RING, 19X3 (NOK) | 001 | 0,00 | 13,69 |
| 28 | 92900-080220B | BOLT, STUD, 8X22 | 002 | 0,00 | 11,68 |
| 29 | 94301-08100- | DOWEL PIN, 8X10 | 002 | 0,00 | 14,19 |
| 30 | 94301-14200- | DOWEL PIN, 14X20 | 002 | 0,00 | 11,98 |
| 31 | 96001-0602000 | BOLT, FLANGE, 6X20 | 001 | 0,00 | 8,30 |
| 32 | 96001-0602800 | BOLT, FLANGE, 6X28 | 002 | 0,00 | 10,79 |
| 33 | 14130-MEN-670 | SLIPPER COMP., DECOMPRESSION | 001 | 0,00 | 607,62 |

Block E-3 CAMSHAFT/VALVE

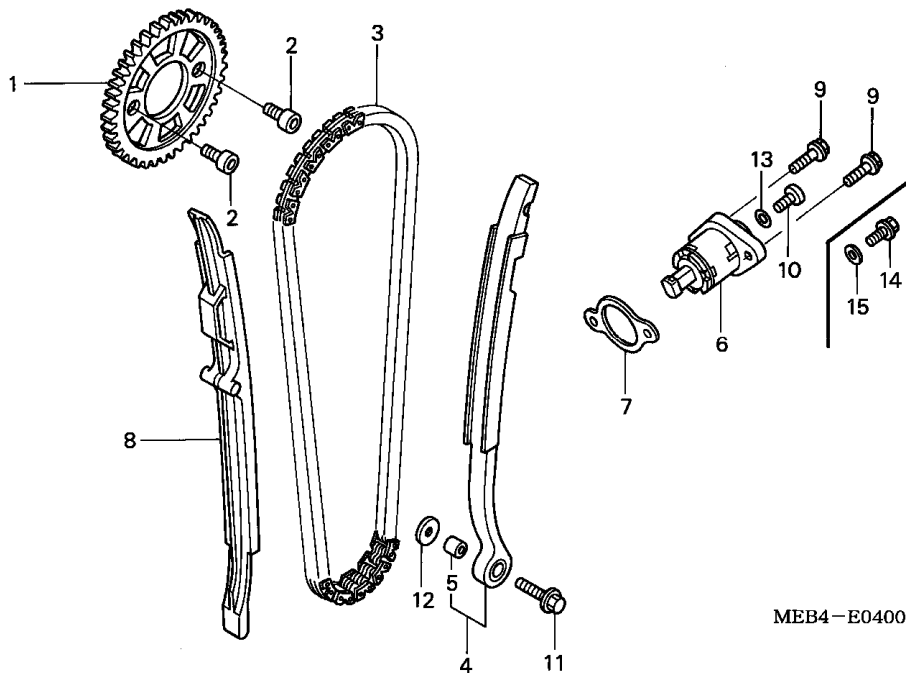


| Refnr | Part Number | Part Description | Unit Qty | Repair Qty | Price SEK (excl. VAT) |
|-------|---------------|----------------------------|----------|------------|--------------------------|
| 1 | 12209-GB4-682 | SEAL, VALVE STEM (ARAI) | 002 | 0,00 | 37,44 |
| 2 | 12209-KL4-005 | SEAL, VALVE STEM (NOK) | 002 | 0,00 | 60,54 |
| 3 | 13115-156-000 | CLIP, PISTON PIN, 12MM | 001 | 0,00 | 6,08 |
| 4 | 14102-MEB-670 | WEIGHT, DECOMPRESSION | 001 | 0,00 | 551,72 |
| 5 | 14103-MEB-670 | BASE, DECOMPRESSION | 001 | 0,00 | 1 495,11 |
| 6 | 14105-MEB-670 | PLATE, WEIGHT SETTING | 001 | 0,00 | 35,73 |
| 7 | 14106-MEB-672 | SPRING, DECOMPRESSION | 001 | 0,00 | 21,17 |
| 8 | 14110-MEN-670 | CAMSHAFT COMP. | 001 | 0,00 | 2 565,26 |
| 9 | 14440-MEB-671 | ARM COMP., EX. ROCKER | 001 | 0,00 | 940,41 |
| 10 | 14451-MEB-670 | SHAFT, EX. ROCKER ARM | 001 | 0,00 | 115,65 |
| 11 | 14711-MEB-670 | VALVE, IN. | 002 | 0,00 | 721,92 |
| 12 | 14721-MEB-670 | VALVE, EX. | 002 | 0,00 | 395,96 |
| 13 | 14731-MEB-670 | LIFTER, VALVE | 002 | 0,00 | 299,11 |
| 14 | 14751-MEB-670 | SPRING, IN. VALVE | 002 | 0,00 | 57,39 |
| 15 | 14752-MEB-670 | SPRING, EX. VALVE | 002 | 0,00 | 60,80 |
| 16 | 14771-MEB-670 | RETAINER, IN. VALVE SPRING | 002 | 0,00 | 45,84 |
| 17 | 14772-MEB-670 | RETAINER, EX. VALVE SPRING | 002 | 0,00 | 45,84 |
| 18 | 14775-KGB-610 | SEAT, VALVE SPRING | 004 | 0,00 | 22,35 |
| 19 | 14781-MAT-000 | COTTER, VALVE | 004 | 0,00 | 22,62 |
| 20 | 14781-MEB-670 | COTTER, VALVE | 004 | 0,00 | 35,34 |
| 21 | 14901-MBB-000 | SHIM, TAPPET (1.20) | 002 | 0,00 | 58,30 |
| 21 | 14902-MBB-000 | SHIM, TAPPET (1.225) | 002 | 0,00 | 58,30 |
| 21 | 14903-MBB-000 | SHIM, TAPPET (1.250) | 002 | 0,00 | 58,30 |
| 21 | 14904-MBB-000 | SHIM, TAPPET (1.275) | 002 | 0,00 | 58,30 |
| 21 | 14905-MBB-000 | SHIM, TAPPET (1.30) | 002 | 0,00 | 58,30 |
| 21 | 14906-MBB-000 | SHIM, TAPPET (1.325) | 002 | 0,00 | 58,30 |
| 21 | 14907-MBB-000 | SHIM, TAPPET (1.350) | 002 | 0,00 | 58,30 |
| 21 | 14908-MBB-000 | SHIM, TAPPET (1.375) | 002 | 0,00 | 58,30 |
| 21 | 14909-MBB-000 | SHIM, TAPPET (1.40) | 002 | 0,00 | 58,30 |
| 21 | 14910-MBB-000 | SHIM, TAPPET (1.425) | 002 | 0,00 | 58,30 |
| 21 | 14911-MBB-000 | SHIM, TAPPET (1.450) | 002 | 0,00 | 58,30 |
| 21 | 14912-MBB-000 | SHIM, TAPPET (1.475) | 002 | 0,00 | 58,30 |
| 21 | 14913-MBB-000 | SHIM, TAPPET (1.50) | 002 | 0,00 | 58,30 |
| 21 | 14914-MBB-000 | SHIM, TAPPET (1.525) | 002 | 0,00 | 58,30 |
| 21 | 14915-MBB-000 | SHIM, TAPPET (1.550) | 002 | 0,00 | 58,30 |
| 21 | 14916-MBB-000 | SHIM, TAPPET (1.575) | 002 | 0,00 | 58,30 |
| 21 | 14917-MBB-000 | SHIM, TAPPET (1.60) | 002 | 0,00 | 58,30 |
| 21 | 14918-MBB-000 | SHIM, TAPPET (1.625) | 002 | 0,00 | 58,30 |
| 21 | 14919-MBB-000 | SHIM, TAPPET (1.650) | 002 | 0,00 | 58,30 |
| 21 | 14920-MBB-000 | SHIM, TAPPET (1.675) | 002 | 0,00 | 58,30 |
| 21 | 14921-MBB-000 | SHIM, TAPPET (1.70) | 002 | 0,00 | 58,30 |
| 21 | 14922-MBB-000 | SHIM, TAPPET (1.725) | 002 | 0,00 | 58,30 |
| 21 | 14923-MBB-000 | SHIM, TAPPET (1.750) | 002 | 0,00 | 58,30 |
| 21 | 14924-MBB-000 | SHIM, TAPPET (1.775) | 002 | 0,00 | 58,30 |
| 21 | 14925-MBB-000 | SHIM, TAPPET (1.80) | 002 | 0,00 | 58,30 |
| 21 | 14926-MBB-000 | SHIM, TAPPET (1.825) | 002 | 0,00 | 58,30 |
| 21 | 14927-MBB-000 | SHIM, TAPPET (1.850) | 002 | 0,00 | 58,30 |
| 21 | 14928-MBB-000 | SHIM, TAPPET (1.875) | 002 | 0,00 | 58,30 |
| 21 | 14929-MBB-000 | SHIM, TAPPET (1.90) | 002 | 0,00 | 58,30 |
| 21 | 14930-MBB-000 | SHIM, TAPPET (1.925) | 002 | 0,00 | 58,30 |

| | | | | | |
|----|---------------|----------------------------|-----|------|--------|
| 22 | 14962-MEB-670 | SHIM, TAPPET (2.725) | 002 | 0,00 | 54,24 |
| 22 | 14963-MEB-670 | SHIM, TAPPET (2.750) | 002 | 0,00 | 54,24 |
| 22 | 14964-MEB-670 | SHIM, TAPPET (2.775) | 002 | 0,00 | 54,24 |
| 22 | 14965-MEB-670 | SHIM, TAPPET (2.800) | 002 | 0,00 | 54,24 |
| 22 | 14966-MEB-670 | SHIM, TAPPET (2.825) | 002 | 0,00 | 54,24 |
| 22 | 14967-MEB-670 | SHIM, TAPPET (2.850) | 002 | 0,00 | 54,24 |
| 22 | 14968-MEB-670 | SHIM, TAPPET (2.875) | 002 | 0,00 | 54,24 |
| 22 | 14969-MEB-670 | SHIM, TAPPET (2.900) | 002 | 0,00 | 54,24 |
| 22 | 14970-MEB-670 | SHIM, TAPPET (2.925) | 002 | 0,00 | 54,24 |
| 22 | 14971-MEB-670 | SHIM, TAPPET (2.950) | 002 | 0,00 | 54,24 |
| 22 | 14972-MEB-670 | SHIM, TAPPET (2.975) | 002 | 0,00 | 54,24 |
| 22 | 14973-MEB-670 | SHIM, TAPPET (3.000) | 002 | 0,00 | 54,24 |
| 23 | 90006-MEB-670 | BOLT, SOCKET, 8X45 | 001 | 0,00 | 33,03 |
| 24 | 90444-611-920 | WASHER A, TACHOMETER | 001 | 0,00 | 24,77 |
| 25 | 91003-KF0-008 | BEARING, RADIAL BALL, 6904 | 001 | 0,00 | 114,34 |
| 26 | 91102-KGB-611 | ROLLER, 3.5X12.8 | 001 | 0,00 | 17,76 |
| 27 | 94520-42120- | CIRCLIP, INTERNAL, 42MM | 001 | 0,00 | 8,45 |

Block E-4 CAM CHAIN/TENSIONER

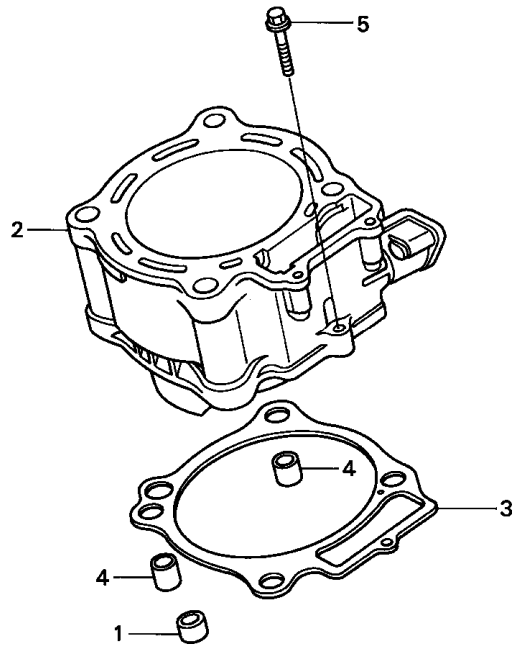
FR.



MEB4-E0400A

| Refnr | Part Number | Part Description | Unit Qty | Repair Qty | Price SEK (excl. VAT) |
|-------|---------------|--------------------------------|----------|------------|-----------------------|
| 1 | 14321-MEB-671 | SPROCKET, CAM (36T) | 001 | 0,00 | 392,67 |
| 2 | 14322-MN1-670 | BOLT, SPECIAL KNOCK, 7X10.4 | 002 | 0,00 | 64,15 |
| 3 | 14401-MEB-671 | CHAIN, CAM (BORG WARNER)(112L) | 001 | 0,00 | 394,51 |
| 4 | 14510-MEB-670 | TENSIONER COMP., CAM CHAIN | 001 | 0,00 | 451,72 |
| 5 | 14515-KF0-000 | COLLAR, TENSIONER, 6X9 | 001 | 0,00 | 21,82 |
| 6 | 14520-MEN-671 | LIFTER ASSY., TENSIONER | 001 | 0,00 | 553,69 |
| 7 | 14560-MEN-671 | GASKET, TENSIONER LIFTER | 001 | 0,00 | 39,67 |
| 8 | 14620-MEN-671 | GUIDE, CAM CHAIN | 001 | 0,00 | 236,90 |
| 9 | 90004-GHB-630 | BOLT, FLANGE, 6X16 (NSHF) | 002 | 0,00 | 14,29 |
| 11 | 90088-MEB-670 | BOLT, FLANGE, 6X25 | 001 | 0,00 | 18,79 |
| 12 | 90482-567-000 | WASHER, SPECIAL, 6MM | 001 | 0,00 | 7,09 |
| 14 | 90004-GHB-600 | BOLT, FLANGE, 6X10 (NSHF) | 001 | 0,00 | 33,22 |
| 15 | 90442-397-000 | WASHER, SEALING, 6MM | 001 | 0,00 | 5,16 |

Block E-5 CYLINDER

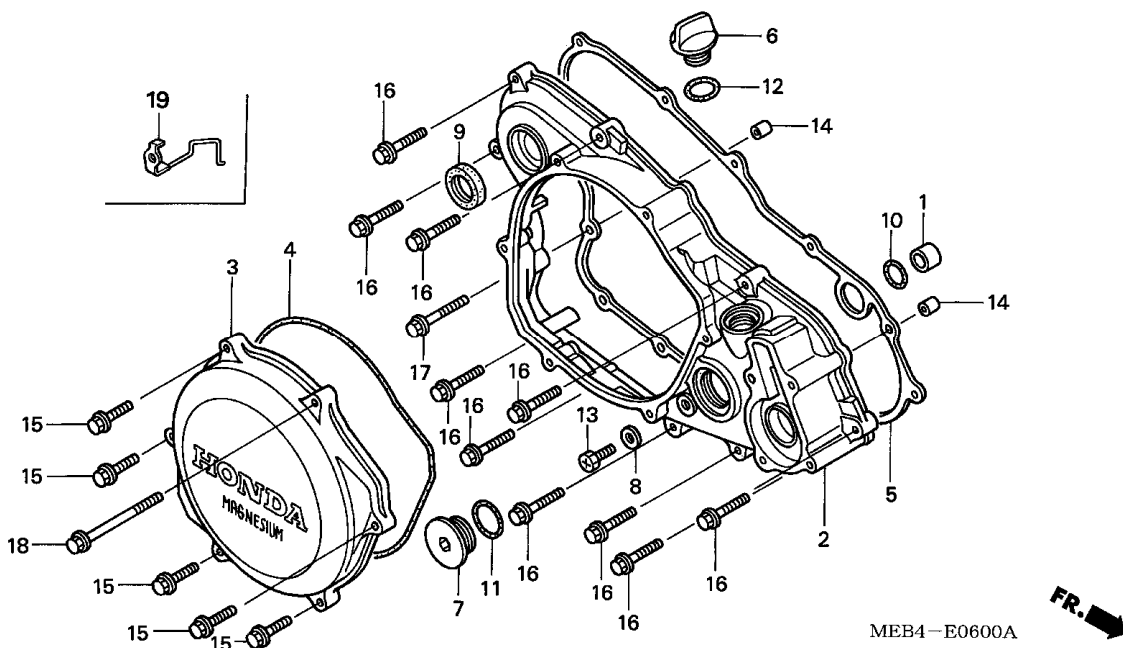


←FR.

MEB4-E0500

| Refnr | Part Number | Part Description | Unit Qty | Repair Qty | Price SEK (excl. VAT) |
|-------|---------------|--------------------------|----------|------------|--------------------------|
| 1 | 11102-MEB-670 | COLLAR, WATER PASS, 18MM | 001 | 0,00 | 34,42 |
| 2 | 12100-MEN-670 | CYLINDER | 001 | 0,00 | 3 876,07 |
| 3 | 12191-MEB-671 | GASKET, CYLINDER | 001 | 0,00 | 62,64 |
| 4 | 94301-14200- | DOWEL PIN, 14X20 | 002 | 0,00 | 11,98 |
| 5 | 96001-0602800 | BOLT, FLANGE, 6X28 | 001 | 0,00 | 10,79 |

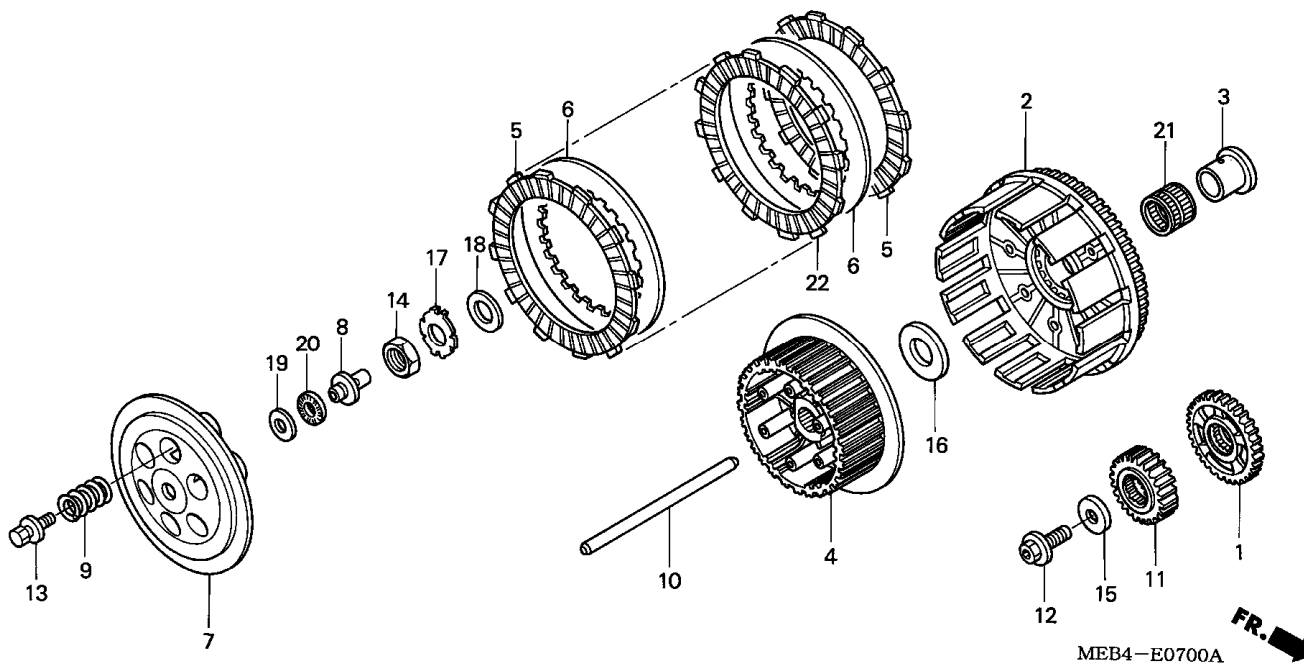
Block E-6 R. CRANKCASE COVER



MEB4-E0600A

| Refnr | Part Number | Part Description | Unit Qty | Repair Qty | Price SEK (excl. VAT) |
|-------|---------------|------------------------------|----------|------------|--------------------------|
| 1 | 11102-MEB-670 | COLLAR, WATER PASS, 18MM | 001 | 0,00 | 34,42 |
| 2 | 11331-MEB-770 | COVER, R. CRANKCASE | 001 | 0,00 | 1 505,34 |
| 3 | 11351-MEB-670 | COVER, CLUTCH | 001 | 0,00 | 658,54 |
| 4 | 11352-MEB-671 | GASKET, CLUTCH COVER | 001 | 0,00 | 63,69 |
| 5 | 11394-MEB-670 | GASKET, R. COVER | 001 | 0,00 | 133,76 |
| 6 | 15611-KA4-710 | CAP, OIL FILLER | 001 | 0,00 | 79,30 |
| 7 | 90087-KW3-000 | CAP, 30MM | 001 | 0,00 | 112,77 |
| 8 | 90463-ML7-000 | WASHER, SEALING, 6.5MM | 001 | 0,00 | 24,98 |
| 9 | 91204-KF0-003 | OIL SEAL, 20X28X5 | 001 | 0,00 | 38,89 |
| 10 | 91256-383-721 | O-RING, 17.8X2.4 (SHOWA) | 001 | 0,00 | 13,43 |
| 11 | 91305-KF0-003 | O-RING, 27X2 (ARAI) | 001 | 0,00 | 7,39 |
| 12 | 91307-035-000 | O-RING, 18X3 | 001 | 0,00 | 12,38 |
| 13 | 92301-060100A | BOLT, RECESSED, 6X10 | 001 | 0,00 | 5,79 |
| 14 | 94301-08140- | DOWEL PIN, 8X14 | 002 | 0,00 | 10,79 |
| 15 | 96001-0602500 | BOLT, FLANGE, 6X25 | 005 | 0,00 | 7,56 |
| 16 | 96001-0602800 | BOLT, FLANGE, 6X28 | 010 | 0,00 | 10,79 |
| 17 | 96001-0603500 | BOLT, FLANGE, 6X35 | 001 | 0,00 | 7,56 |
| 18 | 96001-0606500 | BOLT, FLANGE, 6X65 | 001 | 0,00 | 13,15 |
| 19 | 16240-MEN-730 | CLAMPER COMP., AIR VENT TUBE | 001 | 0,00 | 0,00 |

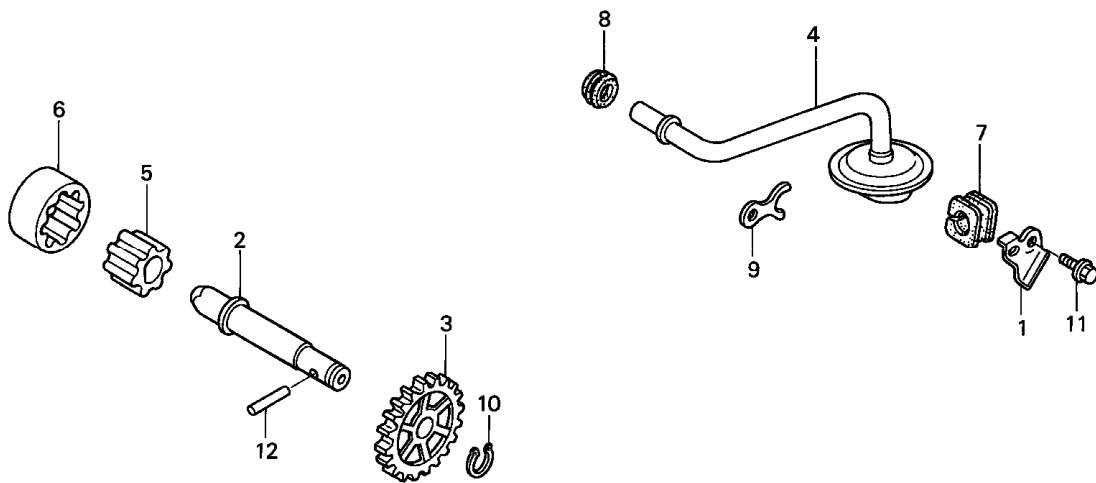
Block E-7 CLUTCH



MEB4-E0700A

| Refnr | Part Number | Part Description | Unit Qty | Repair Qty | Price SEK (excl. VAT) |
|-------|---------------|---------------------------------------|----------|------------|-----------------------|
| 1 | 13415-MEB-670 | GEAR, BALANCER DRIVE (40T) | 001 | 0,00 | 530,85 |
| 2 | 22100-MEB-770 | OUTER COMP., CLUTCH | 001 | 0,00 | 2 900,54 |
| 3 | 22106-KS7-000 | COLLAR, CLUTCH OUTER | 001 | 0,00 | 134,02 |
| 4 | 22120-KZ3-B11 | CENTER, CLUTCH | 001 | 0,00 | 491,75 |
| 5 | 22201-MEB-670 | DISK, CLUTCH FRICTION | 002 | 0,00 | 137,57 |
| 6 | 22321-KZ3-690 | PLATE B, CLUTCH | 007 | 0,00 | 76,16 |
| 7 | 22351-KZ3-860 | PLATE, CLUTCH PRESSURE | 001 | 0,00 | 455,40 |
| 8 | 22352-KAE-770 | PIECE, CLUTCH LIFTER | 001 | 0,00 | 121,42 |
| 9 | 22401-MEN-670 | SPRING, CLUTCH | 006 | 0,00 | 29,83 |
| 10 | 22850-MEN-730 | ROD COMP., CLUTCH LIFTER | 001 | 0,00 | 0,00 |
| 11 | 23121-MEB-770 | GEAR, PRIMARY DRIVE (23T) | 001 | 0,00 | 547,26 |
| 12 | 90013-MEB-670 | BOLT, SPECIAL, 12X28 | 001 | 0,00 | 82,15 |
| 13 | 90022-MM5-000 | BOLT-WASHER, 6X25 | 006 | 0,00 | 25,16 |
| 14 | 90235-KA4-000 | NUT, 18MM | 001 | 0,00 | 40,33 |
| 15 | 90402-KW6-960 | WASHER, PLAIN, 12MM | 001 | 0,00 | 50,04 |
| 16 | 90421-HA2-010 | WASHER, THRUST, 23X48 | 001 | 0,00 | 66,97 |
| 17 | 90461-KZ3-J10 | WASHER, LOCK, 18MM | 001 | 0,00 | 47,55 |
| 18 | 90451-MEN-730 | WASHER, 18X27.5X2 | 001 | 0,00 | 0,00 |
| 19 | 90608-072-000 | WASHER, 12MM | 001 | 0,00 | 46,89 |
| 20 | 91001-147-003 | BEARING, NEEDLE, 12MM (NTN) | 001 | 0,00 | 53,59 |
| 21 | 91021-ML3-003 | BEARING, NEEDLE, 28X32X27.2 (TOMUSON) | 001 | 0,00 | 165,52 |
| 22 | 22201-MEN-670 | DISK B, CLUTCH FRICTION | 006 | 0,00 | 137,57 |

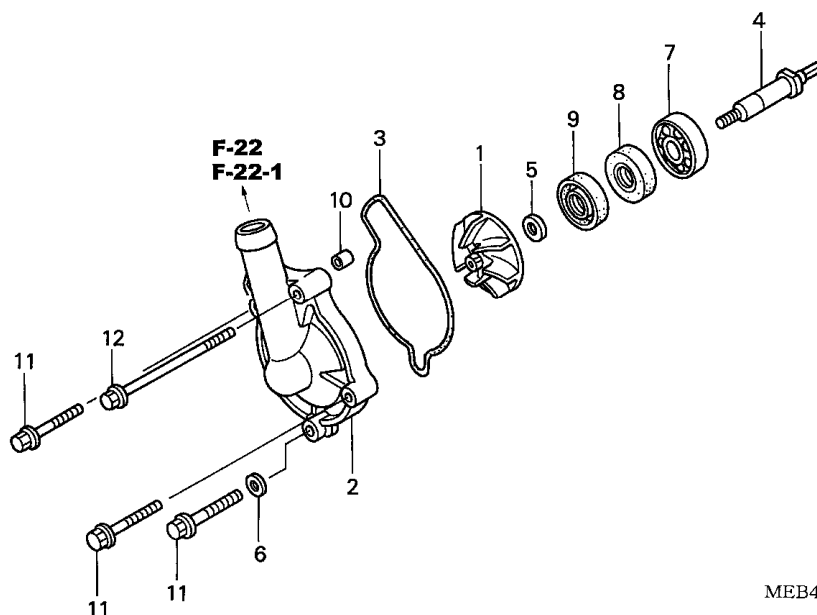
Block E-8 OIL PUMP



FR.

MEB4-E0800A

| Refnr | Part Number | Part Description | Unit Qty | Repair Qty | Price SEK (excl. VAT) |
|-------|---------------|------------------------------|----------|------------|--------------------------|
| 1 | 11206-MEB-670 | PLATE, CAM CHAIN GUIDE | 001 | 0,00 | 34,29 |
| 2 | 15111-MEB-770 | SHAFT, OIL PUMP | 001 | 0,00 | 210,53 |
| 3 | 15133-MEB-670 | GEAR, OIL PUMP DRIVEN (20T) | 001 | 0,00 | 255,01 |
| 4 | 15150-MEB-670 | STRAINER COMP., OIL | 001 | 0,00 | 277,71 |
| 5 | 15331-958-000 | ROTOR, OIL PUMP INNER | 001 | 0,00 | 172,48 |
| 6 | 15332-958-000 | ROTOR, OIL PUMP OUTER | 001 | 0,00 | 229,43 |
| 7 | 15432-MEB-670 | GROMMET, OIL SCAVENGING PIPE | 001 | 0,00 | 52,93 |
| 8 | 15433-KGB-610 | SEAL, RING | 001 | 0,00 | 22,88 |
| 9 | 15434-MEB-670 | PLATE, OIL PIPE SETTING | 001 | 0,00 | 22,09 |
| 10 | 90652-KY4-900 | CIRCLIP, 8MM | 001 | 0,00 | 12,64 |
| 11 | 96001-0601200 | BOLT, FLANGE, 6X12 | 001 | 0,00 | 8,30 |
| 12 | 96220-30178- | ROLLER, 3X17.8 | 001 | 0,00 | 5,35 |

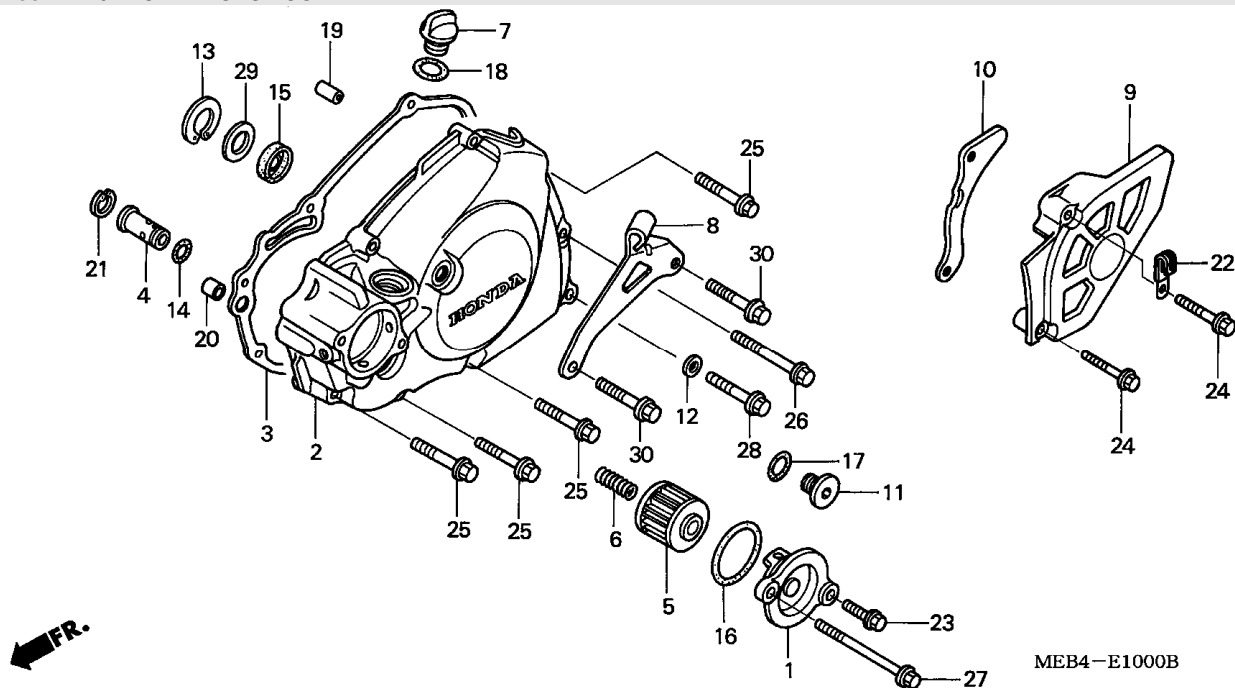


MEB4-E0900B

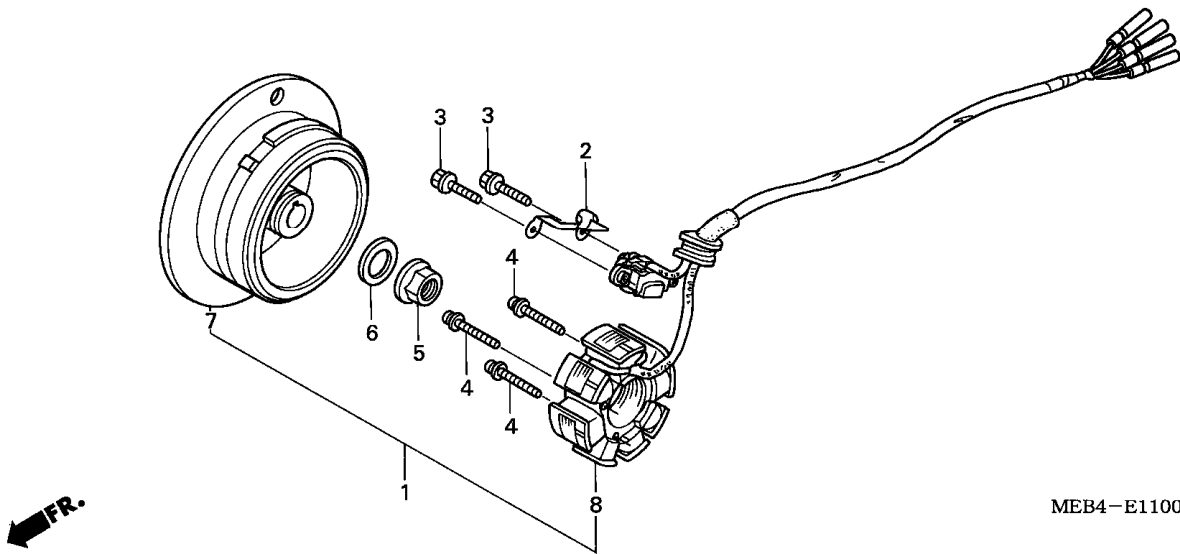


| Refnr | Part Number | Part Description | Unit Qty | Repair Qty | Price SEK (excl. VAT) |
|-------|---------------|-------------------------------------|----------|------------|-----------------------|
| 1 | 19215-MEB-670 | IMPELLER, WATER PUMP | 001 | 0,00 | 225,36 |
| 2 | 19221-MEB-670 | COVER, WATER PUMP | 001 | 0,00 | 481,12 |
| 3 | 19226-MEB-670 | GASKET, WATER PUMP COVER | 001 | 0,00 | 30,88 |
| 4 | 19241-MEB-670 | SHAFT, WATER PUMP | 001 | 0,00 | 317,61 |
| 5 | 90447-KE1-000 | WASHER, SEALING, 7MM | 001 | 0,00 | 18,68 |
| 6 | 90463-ML7-000 | WASHER, SEALING, 6.5MM | 001 | 0,00 | 24,98 |
| 7 | 91001-KA4-003 | BEARING, RADIAL BALL, 12X28X7 (NTN) | 001 | 0,00 | 121,82 |
| 8 | 91201-148-003 | OIL SEAL, 12X22X5 (ARAI) | 001 | 0,00 | 27,20 |
| 9 | 91211-KA3-761 | SEAL, WATER PUMP (NOK) | 001 | 0,00 | 48,20 |
| 10 | 91320-KE1-000 | DOWEL PIN | 001 | 0,00 | 23,27 |
| 11 | 96001-0602800 | BOLT, FLANGE, 6X28 | 003 | 0,00 | 10,79 |
| 12 | 96001-0608500 | BOLT, FLANGE, 6X85 | 001 | 0,00 | 15,07 |

Block E-10 L. CRANKCASE COVER



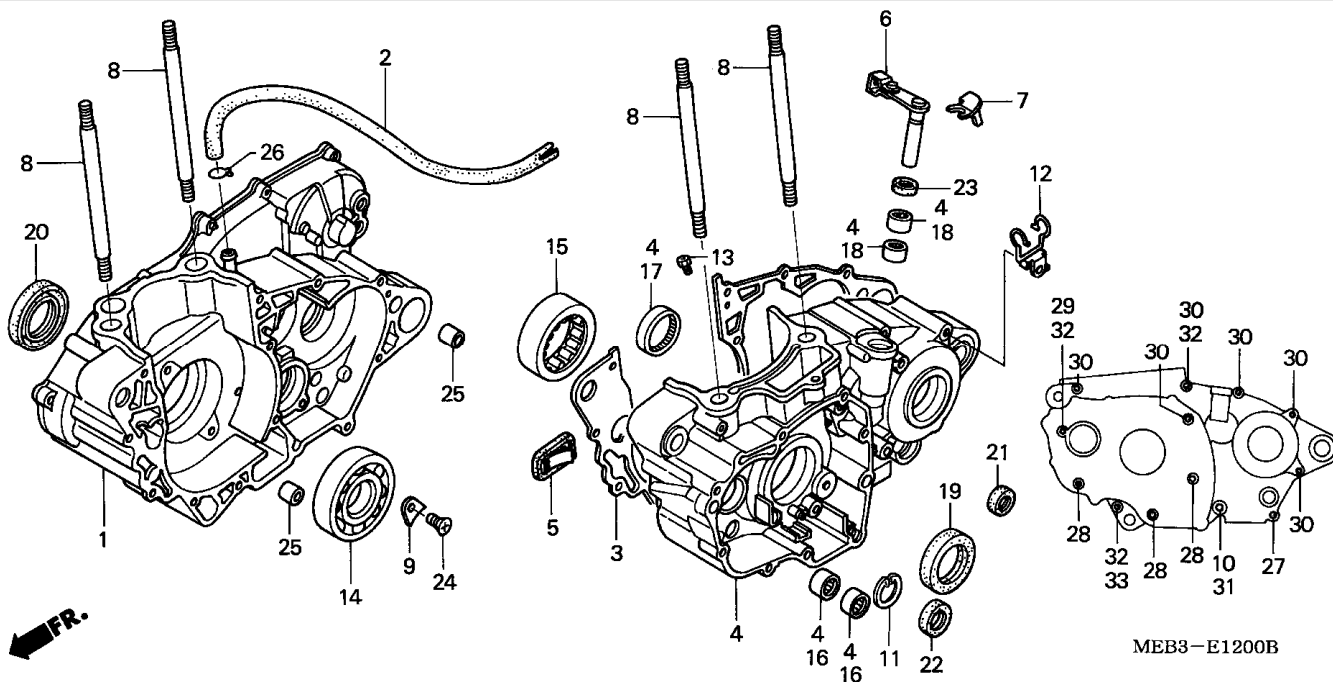
| Refnr | Part Number | Part Description | Unit Qty | Repair Qty | Price SEK (excl. VAT) |
|-------|---------------|---------------------------------|----------|------------|-----------------------|
| 1 | 11333-MEB-670 | COVER, OIL FILTER | 001 | 0,00 | 224,83 |
| 2 | 11340-MEN-670 | COVER COMP., L. CRANKCASE | 001 | 0,00 | 1 824,35 |
| 3 | 11395-MEB-670 | GASKET, L. COVER | 001 | 0,00 | 77,99 |
| 4 | 15220-MEB-770 | VALVE ASSY., RELIEF | 001 | 0,00 | 174,45 |
| 5 | 15412-MEN-671 | FILTER COMP., ENGINE OIL | 001 | 0,00 | 128,87 |
| 6 | 15414-MEB-670 | SPRING, OIL FILTER | 001 | 0,00 | 26,16 |
| 7 | 15611-KA4-710 | CAP, OIL FILLER | 001 | 0,00 | 79,30 |
| 8 | 22838-MEN-730 | RECEIVER, CLUTCH CABLE | 001 | 0,00 | 0,00 |
| 9 | 23810-MEN-730 | COVER COMP., DRIVE SPROCKET | 001 | 0,00 | 0,00 |
| 10 | 23812-MEB-670 | GUIDE, DRIVE CHAIN | 001 | 0,00 | 69,73 |
| 11 | 90084-MEN-670 | CAP, 14MM | 001 | 0,00 | 79,30 |
| 12 | 90474-333-000 | WASHER, SEALING, 8MM | 001 | 0,00 | 22,35 |
| 13 | 90602-MEB-670 | CIRCLIP, SPECIAL INTERNAL, 24MM | 001 | 0,00 | 21,17 |
| 14 | 90751-GK1-003 | O-RING, 8.5X1.7 | 001 | 0,00 | 9,75 |
| 15 | 91204-KRN-671 | OIL SEAL, 10X21X5 | 001 | 0,00 | 33,37 |
| 16 | 91302-PA9-003 | O-RING, 39.8X2.2 (ARAI) | 001 | 0,00 | 33,53 |
| 17 | 91303-377-000 | O-RING, 13.8X2.5 | 001 | 0,00 | 28,52 |
| 18 | 91307-035-000 | O-RING, 18X3 | 001 | 0,00 | 12,38 |
| 19 | 94301-08140- | DOWEL PIN, 8X14 | 001 | 0,00 | 10,79 |
| 20 | 94301-10160- | DOWEL PIN, 10X16 | 001 | 0,00 | 12,72 |
| 21 | 94520-14000- | CIRCLIP, INTERNAL, 14MM | 001 | 0,00 | 4,02 |
| 23 | 90004-GHB-630 | BOLT, FLANGE, 6X16 (NSHF) | 001 | 0,00 | 14,29 |
| 24 | 96001-0603007 | BOLT, FLANGE, 6X30 | 002 | 0,00 | 9,77 |
| 25 | 90004-GHB-690 | BOLT, FLANGE, 6X32 (NSHF) | 004 | 0,00 | 15,79 |
| 26 | 90004-GHB-710 | BOLT, FLANGE, 6X40 (NSHF) | 001 | 0,00 | 16,54 |
| 27 | 90004-GHB-780 | BOLT, FLANGE, 6X75 (NSHF) | 001 | 0,00 | 36,78 |
| 28 | 90023-MEN-670 | BOLT, FLANGE, 8X35 | 001 | 0,00 | 30,60 |
| 29 | 90451-459-770 | WASHER, THRUST, 13MM | 001 | 0,00 | 14,35 |
| 30 | 90004-GHB-700 | BOLT, FLANGE, 6X35 (NSHF) | 002 | 0,00 | 21,03 |



MEB4-E1100A

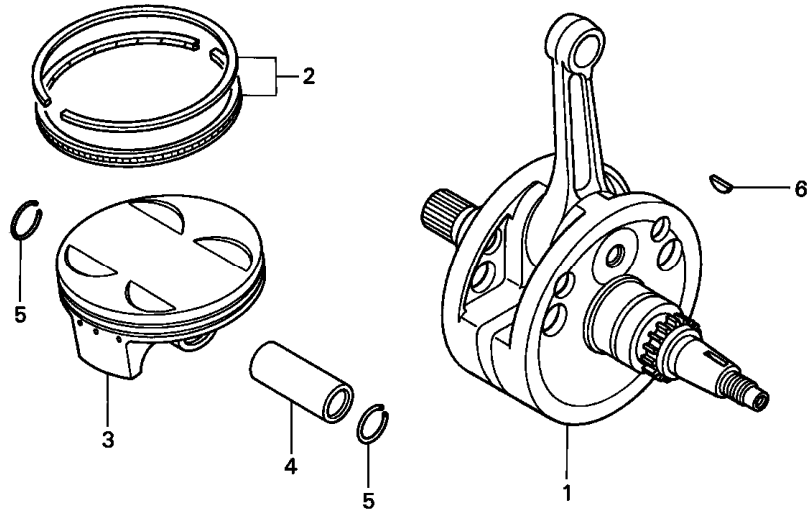
| Refnr | Part Number | Part Description | Unit Qty | Repair Qty | Price SEK (excl. VAT) |
|-------|---------------|---------------------|----------|------------|--------------------------|
| 2 | 32112-MEB-670 | CLAMPER, CORD | 001 | 0,00 | 35,60 |
| 3 | 90005-896-000 | BOLT, FLANGE, 5X16 | 002 | 0,00 | 12,26 |
| 4 | 90010-MEB-670 | SCREW-WASHER, 4X24 | 003 | 0,00 | 7,39 |
| 5 | 94050-12000- | NUT, FLANGE, 12MM | 001 | 0,00 | 11,98 |
| 6 | 90437-611-000 | WASHER, PLAIN, 12MM | 001 | 0,00 | 13,61 |
| 7 | 31110-MEN-003 | FLYWHEEL COMP. | 001 | 0,00 | 2 941,21 |
| 8 | 31120-MEN-731 | STATOR COMP. | 001 | 0,00 | 0,00 |

Block E-12 CRANKCASE



| Refnr | Part Number | Part Description | Unit Qty | Repair Qty | Price SEK (excl. VAT) |
|-------|---------------|------------------------------------|----------|------------|--------------------------|
| 1 | 11100-MEN-731 | CRANKCASE COMP., R. | 001 | 0,00 | 0,00 |
| 2 | 11105-MEB-670 | TUBE, BREATHER | 001 | 0,00 | 87,17 |
| 3 | 11191-MEN-730 | GASKET, CRANKCASE | 001 | 0,00 | 0,00 |
| 4 | 11200-MEN-731 | CRANKCASE COMP., L. | 001 | 0,00 | 0,00 |
| 5 | 18601-MBW-003 | VALVE COMP., REED | 001 | 0,00 | 131,14 |
| 6 | 22810-MEN-670 | LEVER COMP., CLUTCH LIFTER | 001 | 0,00 | 292,94 |
| 7 | 22813-MEB-670 | PLATE, CLUTCH LEVER | 001 | 0,00 | 27,86 |
| 8 | 90031-MEB-670 | BOLT, STUD, 12X148 | 004 | 0,00 | 75,21 |
| 9 | 90441-KRN-670 | PLATE, BEARING HOLDER | 002 | 0,00 | 24,32 |
| 10 | 90474-333-000 | WASHER, SEALING, 8MM | 001 | 0,00 | 22,35 |
| 11 | 90604-MEB-670 | CIRCLIP, SPECIAL, 33MM | 001 | 0,00 | 29,70 |
| 12 | 90610-MEB-670 | GUIDE COMP., TUBE | 001 | 0,00 | 86,26 |
| 13 | 90901-MCF-000 | JET, OIL, #80 | 001 | 0,00 | 82,58 |
| 14 | 91001-MEB-671 | BEARING, SPECIAL RADIAL BALL, 6306 | 001 | 0,00 | 242,94 |
| 15 | 91002-MEB-671 | BEARING, SPECIAL ROLLER | 001 | 0,00 | 440,97 |
| 16 | 91006-HA0-003 | BEARING, NEEDLE, 9MM | 002 | 0,00 | 59,62 |
| 17 | 91022-KA4-740 | BEARING, SHELL, 33X38X8 (NTN) | 001 | 0,00 | 105,15 |
| 18 | 91053-719-005 | BEARING, NEEDLE, 12X16X10 (NTN) | 002 | 0,00 | 216,47 |
| 19 | 91201-MEB-671 | OIL SEAL, 35X52X7 (ARAI) | 001 | 0,00 | 121,30 |
| 20 | 91202-MEB-671 | OIL SEAL, 39X56X7 (ARAI) | 001 | 0,00 | 121,30 |
| 21 | 91203-KA4-771 | OIL SEAL, 14X22X5 (NOK) | 001 | 0,00 | 39,54 |
| 22 | 91203-MEB-671 | OIL SEAL, 20X33X5 (ARAI) | 001 | 0,00 | 44,79 |
| 23 | 91205-MEB-671 | OIL SEAL, 12X18X3 (ARAI) | 001 | 0,00 | 29,56 |
| 24 | 90003-KRN-670 | SCREW, SPECIAL FLAT, 6X12 | 002 | 0,00 | 14,48 |
| 25 | 94301-14200- | DOWEL PIN, 14X20 | 002 | 0,00 | 11,98 |
| 26 | 95002-02100- | CLIP, TUBE (B10) | 001 | 0,00 | 4,90 |
| 27 | 96001-0604000 | BOLT, FLANGE, 6X40 | 001 | 0,00 | 10,06 |
| 28 | 96001-0605000 | BOLT, FLANGE, 6X50 | 003 | 0,00 | 10,79 |
| 29 | 96001-0606500 | BOLT, FLANGE, 6X65 | 001 | 0,00 | 13,15 |
| 30 | 96001-0607500 | BOLT, FLANGE, 6X75 | 006 | 0,00 | 9,77 |
| 31 | 96300-0806500 | BOLT, FLANGE, 8X65 | 001 | 0,00 | 15,81 |
| 32 | 90488-425-000 | WASHER, SEALING, 6MM | 003 | 0,00 | 8,96 |
| 33 | 96001-0606500 | BOLT, FLANGE, 6X65 | 001 | 0,00 | 13,15 |

Block E-13 CRANKSHAFT/PISTON

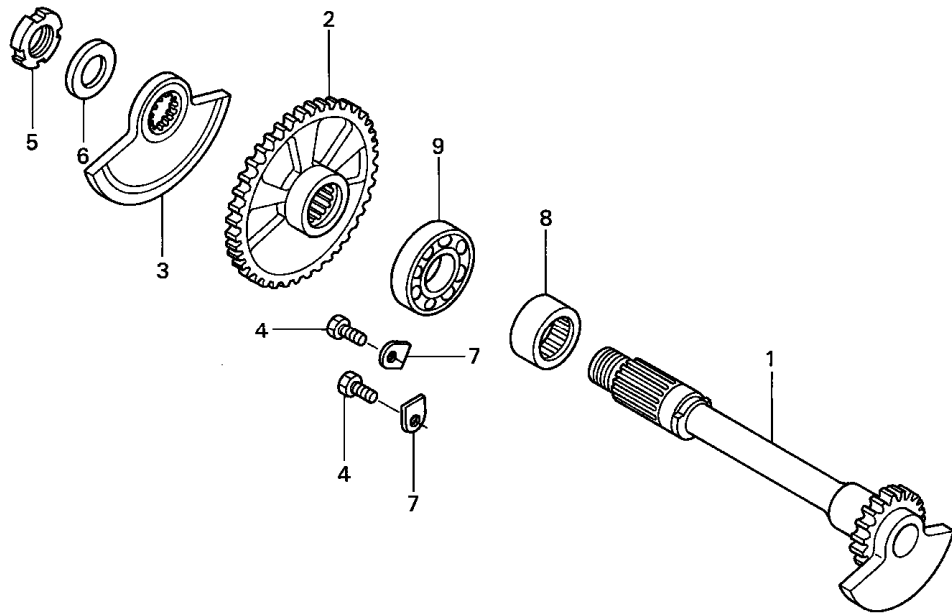


FR.

MEB3-E1300

| Refnr | Part Number | Part Description | Unit Qty | Repair Qty | Price SEK (excl. VAT) |
|-------|---------------|------------------------------|----------|------------|--------------------------|
| 1 | 13000-MEN-730 | CRANKSHAFT COMP. | 001 | 0,00 | 0,00 |
| 2 | 13011-MEB-670 | RING SET, PISTON | 001 | 0,00 | 529,41 |
| 3 | 13101-MEN-730 | PISTON | 001 | 0,00 | 0,00 |
| 4 | 13111-MEN-730 | PIN, PISTON | 001 | 0,00 | 0,00 |
| 5 | 13112-MAT-000 | CLIP, PISTON PIN, 19MM | 002 | 0,00 | 16,97 |
| 6 | 13331-360-000 | KEY, SPECIAL WOODRUFF, 25X14 | 001 | 0,00 | 23,66 |

Block E-14 BALANCER

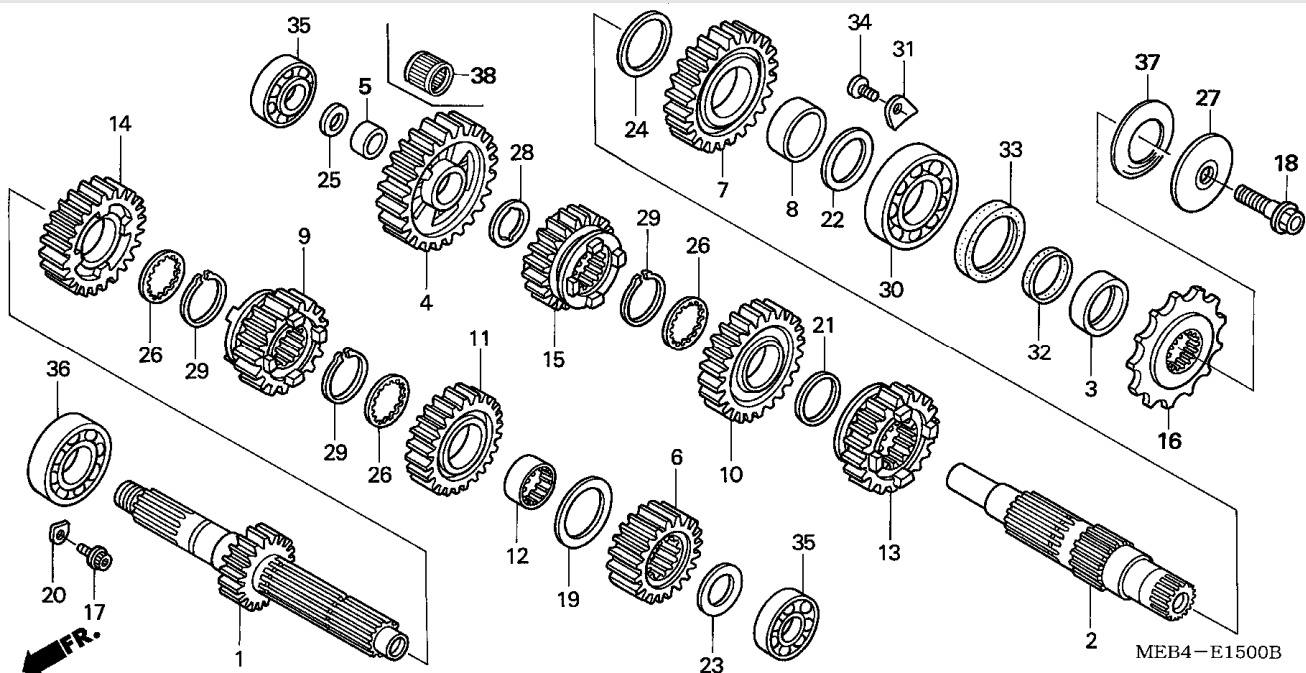


FR.

MEB4-E1400A

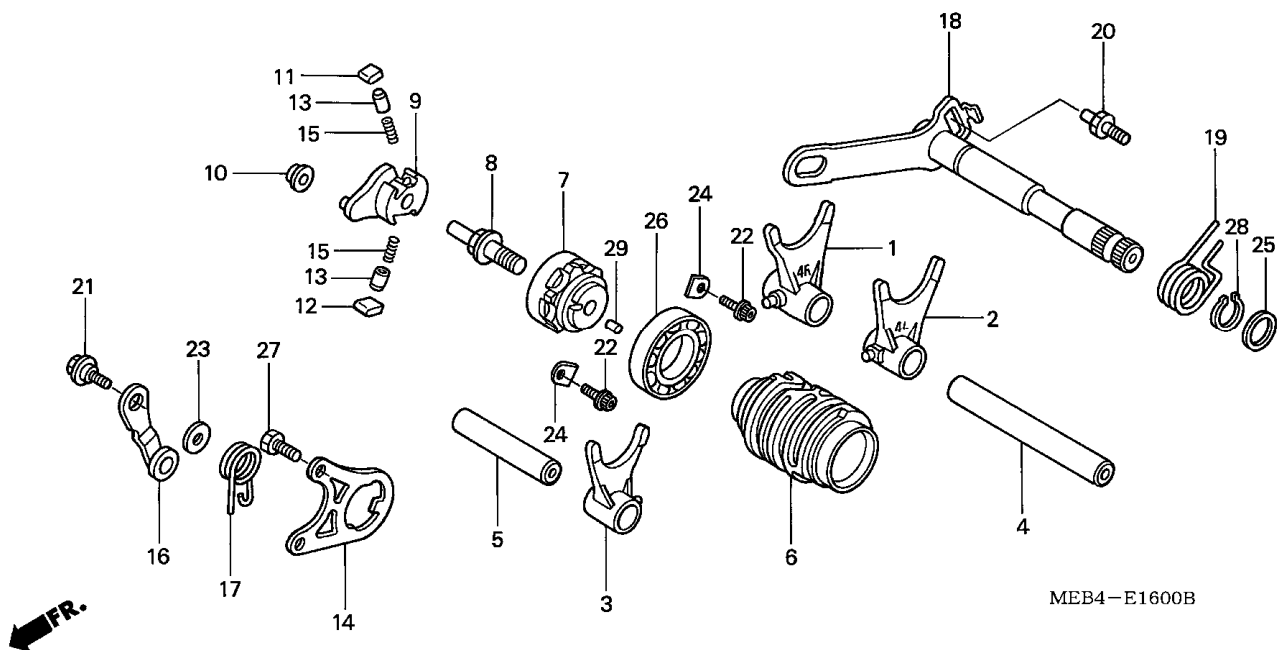
| Refnr | Part Number | Part Description | Unit Qty | Repair Qty | Price SEK (excl. VAT) |
|-------|---------------|-----------------------------------|----------|------------|--------------------------|
| 1 | 13420-MEB-670 | SHAFT COMP., BALANCER | 001 | 0,00 | 1 555,07 |
| 2 | 13422-MEB-671 | GEAR, BALANCER DRIVEN (40T) | 001 | 0,00 | 436,24 |
| 3 | 13423-MEB-670 | WEIGHT, BALANCER | 001 | 0,00 | 301,60 |
| 4 | 90038-KY4-900 | BOLT, HEX., 6X16 | 002 | 0,00 | 9,60 |
| 5 | 90231-KY4-900 | NUT, LOCK, 14MM | 001 | 0,00 | 13,82 |
| 6 | 90433-KE1-000 | WASHER, 14MM | 001 | 0,00 | 6,48 |
| 7 | 90441-KA4-700 | PLATE, BEARING HOLDER | 002 | 0,00 | 19,59 |
| 8 | 91004-MEB-671 | BEARING, SPECIAL ROLLER, 20X32X14 | 001 | 0,00 | 106,20 |
| 9 | 91005-MEB-671 | BEARING, RADIAL BALL, 6003 TMB | 001 | 0,00 | 77,47 |

Block E-15 TRANSMISSION



| Refnr | Part Number | Part Description | Unit Qty | Repair Qty | Price SEK (excl. VAT) |
|-------|---------------|--------------------------------------|----------|------------|-----------------------|
| 1 | 23210-MEB-670 | MAINSHAFT COMP. (15T) | 001 | 0,00 | 1 547,46 |
| 2 | 23221-MEB-670 | COUNTERSHAFT | 001 | 0,00 | 1 155,88 |
| 3 | 23225-MEN-730 | COLLAR, COUNTERSHAFT | 001 | 0,00 | 0,00 |
| 4 | 23411-MEN-730 | GEAR, COUNTERSHAFT LOW (27T) | 001 | 0,00 | 0,00 |
| 6 | 23421-MEB-770 | GEAR, MAINSHAFT SECOND (17T) | 001 | 0,00 | 328,50 |
| 7 | 23431-KS7-830 | GEAR, COUNTERSHAFT SECOND (25T) | 001 | 0,00 | 642,52 |
| 8 | 23432-ML3-870 | COLLAR, COUNTERSHAFT SECOND GEAR | 001 | 0,00 | 78,51 |
| 9 | 23441-MEN-730 | GEAR, MAINSHAFT THIRD (17T) | 001 | 0,00 | 0,00 |
| 10 | 23451-MEB-670 | GEAR, COUNTERSHAFT THIRD (21T) | 001 | 0,00 | 582,95 |
| 11 | 23461-MEB-770 | GEAR, MAINSHAFT FOURTH (20T) | 001 | 0,00 | 597,12 |
| 12 | 23462-KZ3-L20 | COLLAR, MAINSHAFT FOURTH GEAR | 001 | 0,00 | 108,96 |
| 13 | 23471-MEB-671 | GEAR, COUNTERSHAFT FOURTH (21T) | 001 | 0,00 | 635,57 |
| 14 | 23481-MEN-730 | GEAR, MAINSHAFT FIFTH (22T) | 001 | 0,00 | 0,00 |
| 15 | 23491-MEB-671 | GEAR, COUNTERSHAFT FIFTH (20T) | 001 | 0,00 | 635,57 |
| 16 | 23802-MEN-730 | SPROCKET, DRIVE (13T) | 001 | 0,00 | 0,00 |
| 17 | 90071-MF5-000 | BOLT, FLANGE SOCKET, 6X14 | 002 | 0,00 | 33,22 |
| 18 | 90112-413-000 | BOLT, UBS, 8X33 | 001 | 0,00 | 38,84 |
| 19 | 90421-961-000 | WASHER, THRUST, 25MM | 001 | 0,00 | 49,77 |
| 20 | 90441-KA4-700 | PLATE, BEARING HOLDER | 002 | 0,00 | 19,59 |
| 21 | 90444-430-000 | WASHER, THRUST, 25.2X30 | 001 | 0,00 | 40,33 |
| 22 | 90445-ML3-871 | WASHER, THRUST, 24.1X36X1.5 | 001 | 0,00 | 29,96 |
| 23 | 90446-KA4-740 | WASHER, THRUST, 17.2MM | 001 | 0,00 | 41,64 |
| 24 | 90446-ML3-870 | WASHER, THRUST, 27.2X35 | 001 | 0,00 | 29,96 |
| 25 | 90446-357-000 | WASHER, THRUST, 17.2MM | 001 | 0,00 | 48,46 |
| 26 | 90451-KY2-000 | WASHER, SPLINE, 25X31X1.5 | 003 | 0,00 | 19,99 |
| 27 | 23802-KSC-670 | COLLAR, DRIVE SPROCKET | 001 | 0,00 | 146,22 |
| 28 | 90554-KA5-680 | WASHER, THRUST, 19MM | 001 | 0,00 | 26,95 |
| 29 | 90602-259-010 | CIRCLIP, EXTERNAL, 25MM | 003 | 0,00 | 20,65 |
| 30 | 91001-ML3-873 | BEARING, RADIAL BALL, 24X56X14 (NTN) | 001 | 0,00 | 110,27 |
| 31 | 91012-KA3-710 | PLATE, COUNTERSHAFT BEARING | 002 | 0,00 | 31,93 |
| 32 | 91201-ML3-873 | D-RING, 23.75MM (ARAI) | 001 | 0,00 | 27,33 |
| 33 | 91207-ML3-871 | OIL SEAL, 31X40X7 (ARAI) | 001 | 0,00 | 70,51 |
| 34 | 93600-060120A | SCREW, FLAT, 6X12 | 002 | 0,00 | 7,26 |
| 35 | 96140-6203000 | BEARING, RADIAL BALL, 6203U | 002 | 0,00 | 136,79 |
| 36 | 96140-6205000 | BEARING, RADIAL BALL, 6205U | 001 | 0,00 | 131,49 |
| 37 | 90501-KSC-670 | WASHER, SPRING, 24MM | 001 | 0,00 | 51,62 |
| 38 | 91007-MEN-731 | BEARING, NEEDLE, 19X22X9.8 | 001 | 0,00 | 0,00 |

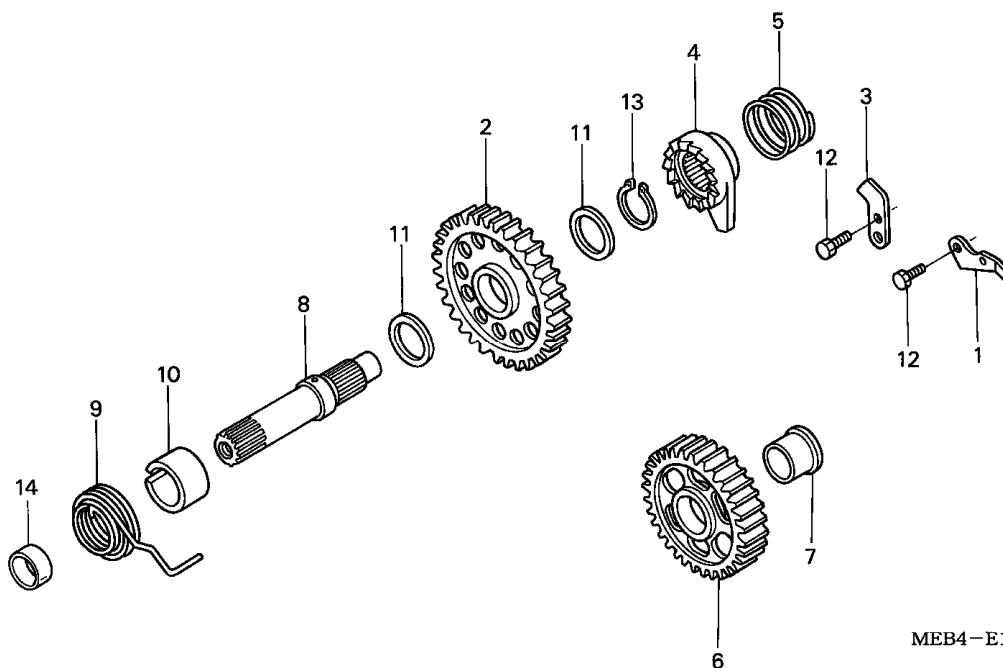
Block E-16 GEAR SHIFT DRUM



MEB4-E1600B

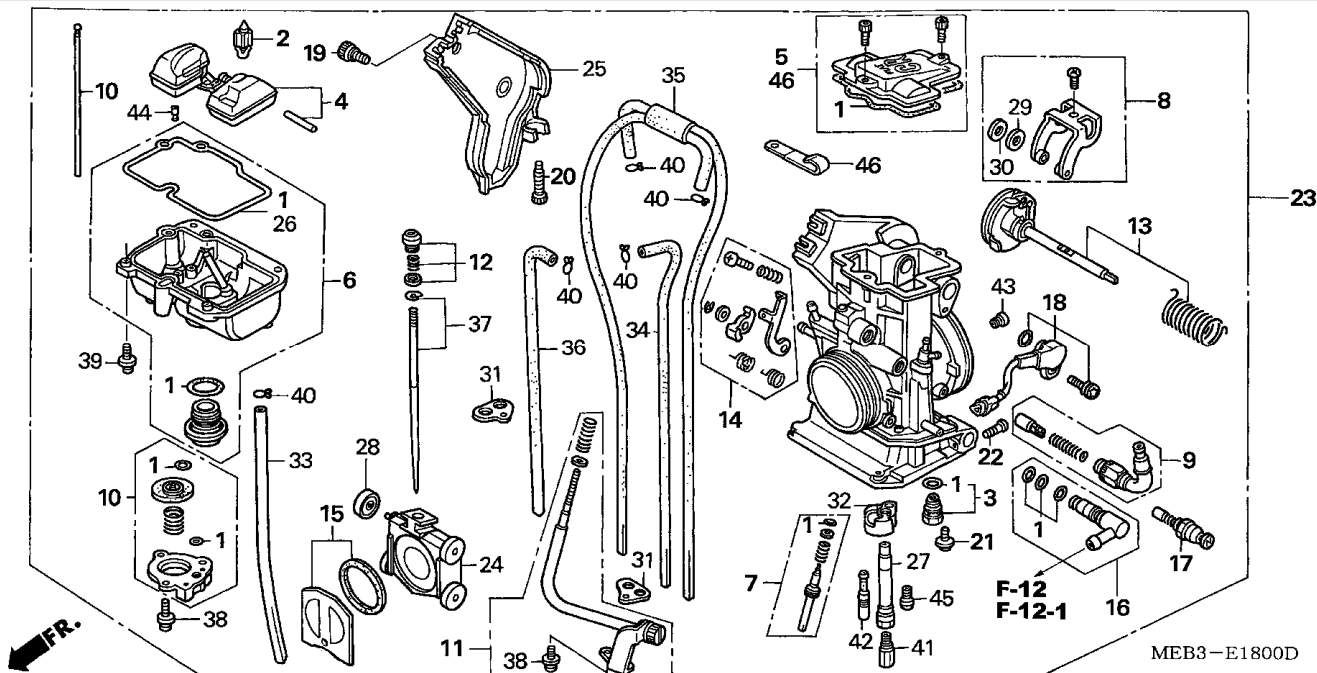
| Refnr | Part Number | Part Description | Unit Qty | Repair Qty | Price SEK (excl. VAT) |
|-------|---------------|-------------------------------|----------|------------|--------------------------|
| 1 | 24211-MEN-730 | FORK, R. GEARSHIFT | 001 | 0,00 | 0,00 |
| 2 | 24221-MEN-730 | FORK, L. GEARSHIFT | 001 | 0,00 | 0,00 |
| 3 | 24231-MEN-730 | FORK, CENTER GEARSHIFT | 001 | 0,00 | 0,00 |
| 4 | 24241-MEN-730 | SHAFT A, SHIFT FORK | 001 | 0,00 | 0,00 |
| 5 | 24242-MEN-730 | SHAFT B, SHIFT FORK | 001 | 0,00 | 0,00 |
| 6 | 24311-MEN-730 | DRUM, GEARSHIFT | 001 | 0,00 | 0,00 |
| 7 | 24312-KA3-741 | CENTER, GEARSHIFT DRUM | 001 | 0,00 | 351,20 |
| 8 | 24315-HA0-000 | PIN, SHIFTER | 001 | 0,00 | 68,28 |
| 9 | 24321-MEB-670 | SHIFTER, DRUM | 001 | 0,00 | 348,58 |
| 10 | 24322-MM4-000 | COLLAR, SHIFTER | 001 | 0,00 | 21,43 |
| 11 | 24324-KA3-711 | PAWL A, RATCHET | 001 | 0,00 | 53,59 |
| 12 | 24325-KA3-711 | PAWL B, RATCHET | 001 | 0,00 | 53,59 |
| 13 | 24326-KBH-901 | PLUNGER, PAWL | 002 | 0,00 | 33,37 |
| 14 | 24328-MEB-670 | PLATE, GUIDE | 001 | 0,00 | 90,59 |
| 15 | 24329-KA3-740 | SPRING, PAWL PLUNGER | 002 | 0,00 | 16,18 |
| 16 | 24430-KA3-740 | STOPPER COMP., DRUM | 001 | 0,00 | 117,49 |
| 17 | 24435-MEB-670 | SPRING, DRUM STOPPER | 001 | 0,00 | 16,71 |
| 18 | 24610-MEN-730 | SPINDLE COMP., GEARSHIFT | 001 | 0,00 | 0,00 |
| 19 | 24651-MEB-670 | SPRING, GEARSHIFT RETURN | 001 | 0,00 | 24,85 |
| 20 | 24652-HA0-000 | PIN, GEARSHIFT RETURN SPRING | 001 | 0,00 | 32,98 |
| 21 | 90022-MG8-000 | PIVOT, SHIFT DRUM STOPPER ARM | 001 | 0,00 | 8,05 |
| 22 | 90071-MF5-000 | BOLT, FLANGE SOCKET, 6X14 | 002 | 0,00 | 33,22 |
| 23 | 90435-HB3-000 | WASHER, 6.1MM | 001 | 0,00 | 21,82 |
| 24 | 90441-KA4-700 | PLATE, BEARING HOLDER | 002 | 0,00 | 19,59 |
| 25 | 90451-155-000 | WASHER, 14MM | 001 | 0,00 | 11,06 |
| 26 | 91004-KY4-900 | BEARING, RADIAL BALL, 6905U | 001 | 0,00 | 103,58 |
| 27 | 93301-060160A | BOLT, HEX., 6X16 | 002 | 0,00 | 4,90 |
| 28 | 94510-14000- | CIRCLIP, EXTERNAL, 14MM | 001 | 0,00 | 4,90 |
| 29 | 96220-40080- | ROLLER, 4X8 | 001 | 0,00 | 4,90 |

Block E-17 KICK STARTER SPINDLE



| Refnr | Part Number | Part Description | Unit Qty | Repair Qty | Price SEK (excl. VAT) |
|-------|---------------|--------------------------------|----------|------------|-----------------------|
| 1 | 15201-MEB-670 | PLATE, OIL GUIDE | 001 | 0,00 | 41,50 |
| 2 | 28211-MEN-670 | PINION, KICK STARTER (34T) | 001 | 0,00 | 457,50 |
| 3 | 28215-MEB-670 | PLATE, KICK STOPPER | 001 | 0,00 | 31,53 |
| 4 | 28221-MEB-770 | RATCHET, KICK STARTER | 001 | 0,00 | 314,19 |
| 5 | 28223-KA4-740 | SPRING, KICK STARTER RATCHET | 001 | 0,00 | 24,72 |
| 6 | 28231-KS7-000 | GEAR, KICK STARTER IDLE (29T) | 001 | 0,00 | 610,64 |
| 7 | 28232-KA4-740 | COLLAR, KICK STARTER IDLE GEAR | 001 | 0,00 | 90,07 |
| 8 | 28251-MEN-670 | SPINDLE, KICK STARTER | 001 | 0,00 | 605,91 |
| 9 | 28261-MEB-670 | SPRING, KICK STARTER | 001 | 0,00 | 68,28 |
| 10 | 28282-MEB-670 | COLLAR, KICK SPRING | 001 | 0,00 | 67,10 |
| 11 | 90554-728-940 | WASHER, THRUST, 20MM | 002 | 0,00 | 60,63 |
| 12 | 93301-060160A | BOLT, HEX., 6X16 | 002 | 0,00 | 4,90 |
| 13 | 94510-19000- | CIRCLIP, EXTERNAL, 19MM | 001 | 0,00 | 4,31 |
| 14 | 23472-KY4-900 | COLLAR, 20X22X10 | 001 | 0,00 | 63,56 |

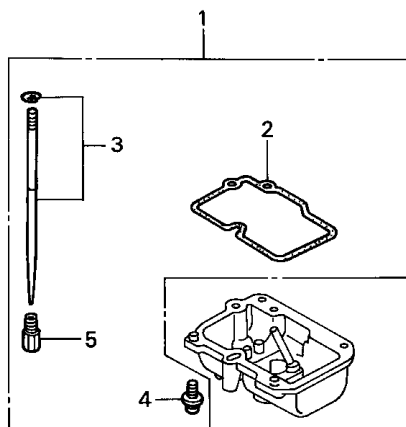
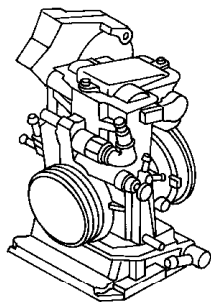
Block E-18 CARBURETOR



| Refnr | Part Number | Part Description | Unit Qty | Repair Qty | Price SEK (excl. VAT) |
|-------|---------------|-----------------------------|----------|------------|-----------------------|
| 1 | 16010-MEN-671 | GASKET SET | 001 | 0,00 | 201,47 |
| 2 | 16011-KRN-731 | VALVE SET, FLOAT | 001 | 0,00 | 0,00 |
| 4 | 16013-MEB-671 | FLOAT SET | 001 | 0,00 | 308,16 |
| 6 | 16015-KRN-731 | CHAMBER SET, FLOAT | 001 | 0,00 | 0,00 |
| 7 | 16016-KSC-671 | SCREW SET A | 001 | 0,00 | 208,16 |
| 8 | 16018-MEB-671 | ARM SET, LINK | 001 | 0,00 | 147,02 |
| 9 | 16019-MEB-671 | START SET, HOT | 001 | 0,00 | 281,26 |
| 10 | 16021-MEB-771 | DIAPHRAGM SET, PUMP | 001 | 0,00 | 239,79 |
| 11 | 16028-MEB-671 | SCREW SET B | 001 | 0,00 | 266,57 |
| 12 | 16029-MEB-671 | SCREW SET, JET NEEDLE | 001 | 0,00 | 91,64 |
| 13 | 16032-MEB-671 | SHAFT SET, THROTTLE | 001 | 0,00 | 595,41 |
| 14 | 16033-MEB-671 | LEVER SET, PUMP | 001 | 0,00 | 103,18 |
| 15 | 16037-MEB-671 | VALVE SET, FLOATING | 001 | 0,00 | 1 069,67 |
| 16 | 16038-MEB-671 | JOINT SET, FUEL | 001 | 0,00 | 79,43 |
| 17 | 16046-MEB-671 | VALVE SET, STARTER | 001 | 0,00 | 363,02 |
| 18 | 16060-MEB-671 | SENSOR ASSY., THROTTLE | 001 | 0,00 | 850,65 |
| 19 | 16080-MEB-671 | BOLT, COVER | 001 | 0,00 | 21,22 |
| 20 | 16081-MEB-671 | BOLT, STOPPER | 001 | 0,00 | 82,15 |
| 22 | 16083-MEB-671 | SCREW, PAN | 001 | 0,00 | 13,03 |
| 23 | 16100-MEN-733 | CARBURETOR ASSY. (FCR00D A) | 001 | 0,00 | 0,00 |
| 24 | 16112-MEB-671 | VALVE, THROTTLE | 001 | 0,00 | 2 062,79 |
| 25 | 16157-MEN-671 | COVER, THROTTLE | 001 | 0,00 | 151,48 |
| 26 | 16163-MEB-671 | GASKET, FLOAT CHAMBER | 001 | 0,00 | 144,12 |
| 27 | 16165-MEB-671 | HOLDER, NEEDLE JET | 001 | 0,00 | 95,84 |
| 28 | 16172-MEB-671 | ROLLER | 001 | 0,00 | 79,96 |
| 29 | 16177-MEB-671 | WASHER, PLAIN (PO) | 001 | 0,00 | 11,85 |
| 30 | 16178-MEB-671 | WASHER, PLAIN (SUS) | 001 | 0,00 | 15,92 |
| 31 | 16179-KZ4-690 | BINDER | 002 | 0,00 | 66,18 |
| 32 | 16185-MEN-671 | PLATE, BUFFER | 001 | 0,00 | 92,69 |
| 33 | 16196-MEB-671 | TUBE, OVERFLOW | 001 | 0,00 | 45,45 |
| 34 | 16197-MEB-671 | TUBE, AIR VENT | 001 | 0,00 | 71,17 |
| 35 | 16198-MEB-671 | TUBE COMP., AIR VENT | 001 | 0,00 | 85,47 |
| 36 | 16199-MEB-671 | TUBE, AIR VENT | 001 | 0,00 | 71,17 |
| 37 | 16201-MEN-731 | NEEDLE SET, JET (NGGN) | (1) | 0,00 | 0,00 |
| 37 | 16202-MEN-731 | NEEDLE SET, JET (NGGP) | (1) | 0,00 | 0,00 |
| 37 | 16203-MEN-731 | NEEDLE SET, JET (NGGQ) | 001 | 0,00 | 0,00 |
| 37 | 16204-MEN-731 | NEEDLE SET, JET (NGGR) | (1) | 0,00 | 0,00 |
| 37 | 16205-MEN-731 | NEEDLE SET, JET (NGGS) | (1) | 0,00 | 0,00 |
| 37 | 16230-MEN-731 | NEEDLE SET, JET (NGJN) | (1) | 0,00 | 0,00 |
| 37 | 16231-MEN-731 | NEEDLE SET, JET (NGJP) | (1) | 0,00 | 0,00 |
| 37 | 16232-MEN-731 | NEEDLE SET, JET (NGJQ) | (1) | 0,00 | 0,00 |
| 37 | 16233-MEN-731 | NEEDLE SET, JET (NGJR) | (1) | 0,00 | 0,00 |
| 37 | 16234-MEN-731 | NEEDLE SET, JET (NGJS) | (1) | 0,00 | 0,00 |
| 38 | 93892-0400818 | SCREW-WASHER, 4X8 | 004 | 0,00 | 4,90 |
| 39 | 93892-0401418 | SCREW-WASHER, 4X14 | 004 | 0,00 | 3,58 |
| 40 | 95002-02079- | CLIP, TUBE (B7) | 005 | 0,00 | 3,28 |
| 41 | 99101-357-175 | JET, MAIN, #175 | (1) | 0,00 | 92,14 |
| 41 | 99101-357-165 | JET, MAIN, #165 | (1) | 0,00 | 92,14 |
| 41 | 99101-357-170 | JET, MAIN, #170 | (1) | 0,00 | 92,14 |
| 41 | 99101-357-172 | JET, MAIN, #172 | (1) | 0,00 | 92,14 |

| | | | | | |
|----|---------------|----------------------|-----|------|-------|
| 41 | 99101-357-178 | JET, MAIN, #178 | (1) | 0,00 | 92,14 |
| 41 | 99101-357-168 | JET, MAIN, #168 | 001 | 0,00 | 92,14 |
| 41 | 99101-357-160 | JET, MAIN, #160 | (1) | 0,00 | 71,36 |
| 41 | 99101-357-162 | JET, MAIN, #162 | (1) | 0,00 | 92,14 |
| 41 | 99101-357-158 | JET, MAIN, #158 | (1) | 0,00 | 71,36 |
| 42 | 99103-440-045 | JET, SLOW, #45 | (1) | 0,00 | 71,36 |
| 42 | 99103-440-040 | JET, SLOW, #40 | (1) | 0,00 | 71,36 |
| 42 | 99103-440-048 | JET, SLOW, #48 | (1) | 0,00 | 67,98 |
| 42 | 99103-440-042 | JET, SLOW, #42 | 001 | 0,00 | 90,37 |
| 42 | 99103-440-038 | JET, SLOW, #38 | (1) | 0,00 | 71,36 |
| 43 | 99104-MEB-100 | JET, SLOW AIR, #100 | 001 | 0,00 | 82,42 |
| 44 | 99108-MEB-055 | JET, LEAK, #55 | 001 | 0,00 | 48,56 |
| 45 | 99112-MEB-072 | JET, BY-STARTER, #72 | 001 | 0,00 | 84,04 |
| 46 | 16014-MEN-731 | TOP SET | 001 | 0,00 | 0,00 |

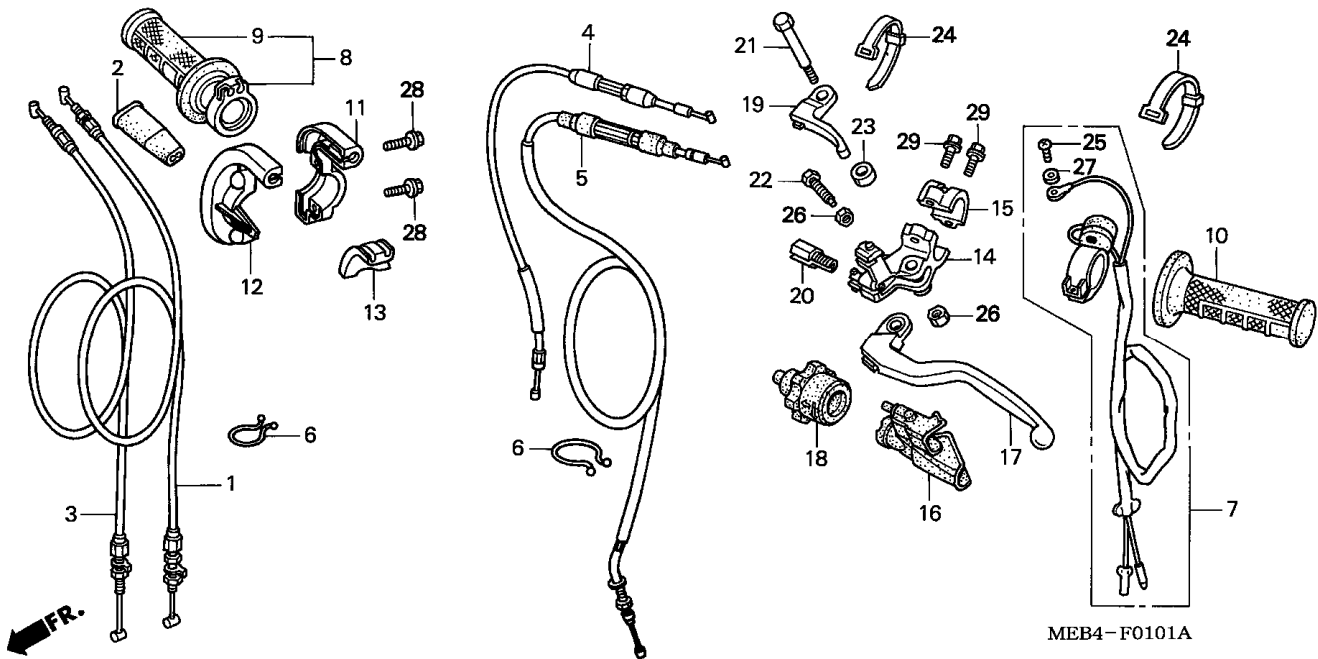
Block E-18-1 CARBURETOR OPTIONAL PARTS KIT



MEB4-E1801A

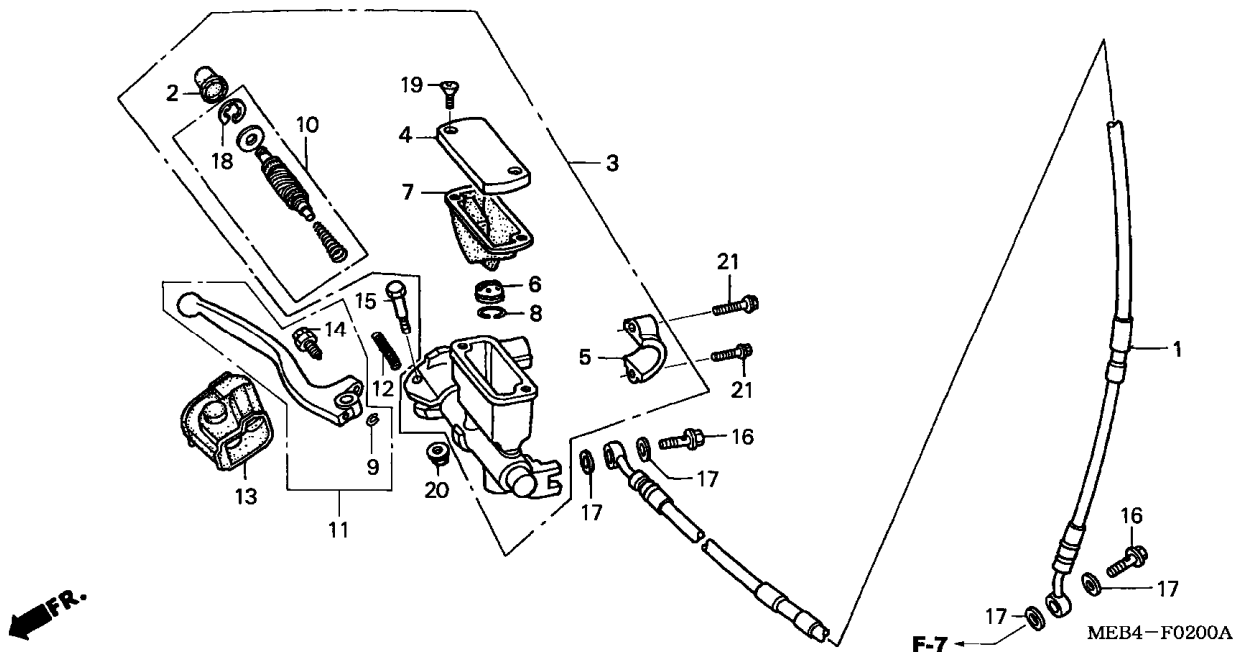
| Refnr | Part Number | Part Description | Unit Qty | Repair Qty | Price SEK (excl. VAT) |
|-------|---------------|--------------------------------|----------|------------|--------------------------|
| 1 | 16020-MEN-732 | PARTS KIT, CARBURETOR OPTIONAL | (1) | 0,00 | 0,00 |
| 2 | 16163-MEB-671 | GASKET, FLOAT CHAMBER | (5) | 0,00 | 144,12 |
| 3 | 16201-MEN-731 | NEEDLE SET, JET (NGGN) | (1) | 0,00 | 0,00 |
| 3 | 16202-MEN-731 | NEEDLE SET, JET (NGGP) | (1) | 0,00 | 0,00 |
| 3 | 16204-MEN-731 | NEEDLE SET, JET (NGGR) | (1) | 0,00 | 0,00 |
| 3 | 16205-MEN-731 | NEEDLE SET, JET (NGGS) | (1) | 0,00 | 0,00 |
| 3 | 16230-MEN-731 | NEEDLE SET, JET (NGJN) | (1) | 0,00 | 0,00 |
| 3 | 16231-MEN-731 | NEEDLE SET, JET (NGJP) | (1) | 0,00 | 0,00 |
| 3 | 16232-MEN-731 | NEEDLE SET, JET (NGJQ) | (1) | 0,00 | 0,00 |
| 3 | 16233-MEN-731 | NEEDLE SET, JET (NGJR) | (1) | 0,00 | 0,00 |
| 3 | 16234-MEN-731 | NEEDLE SET, JET (NGJS) | (1) | 0,00 | 0,00 |
| 4 | 93892-0401418 | SCREW-WASHER, 4X14 | (10) | 0,00 | 3,58 |
| 5 | 99101-357-165 | JET, MAIN, #165 | (1) | 0,00 | 92,14 |
| 5 | 99101-357-170 | JET, MAIN, #170 | (1) | 0,00 | 92,14 |
| 5 | 99101-357-172 | JET, MAIN, #172 | (1) | 0,00 | 92,14 |
| 5 | 99101-357-178 | JET, MAIN, #178 | (1) | 0,00 | 92,14 |
| 5 | 99101-357-160 | JET, MAIN, #160 | (1) | 0,00 | 71,36 |
| 5 | 99101-357-162 | JET, MAIN, #162 | (1) | 0,00 | 92,14 |
| 5 | 99101-357-175 | JET, MAIN, #175 | (1) | 0,00 | 92,14 |
| 5 | 99101-357-158 | JET, MAIN, #158 | (1) | 0,00 | 71,36 |

Block F-1-1 HANDLE LEVER/SWITCH/CABLE (CRF450R4,5)



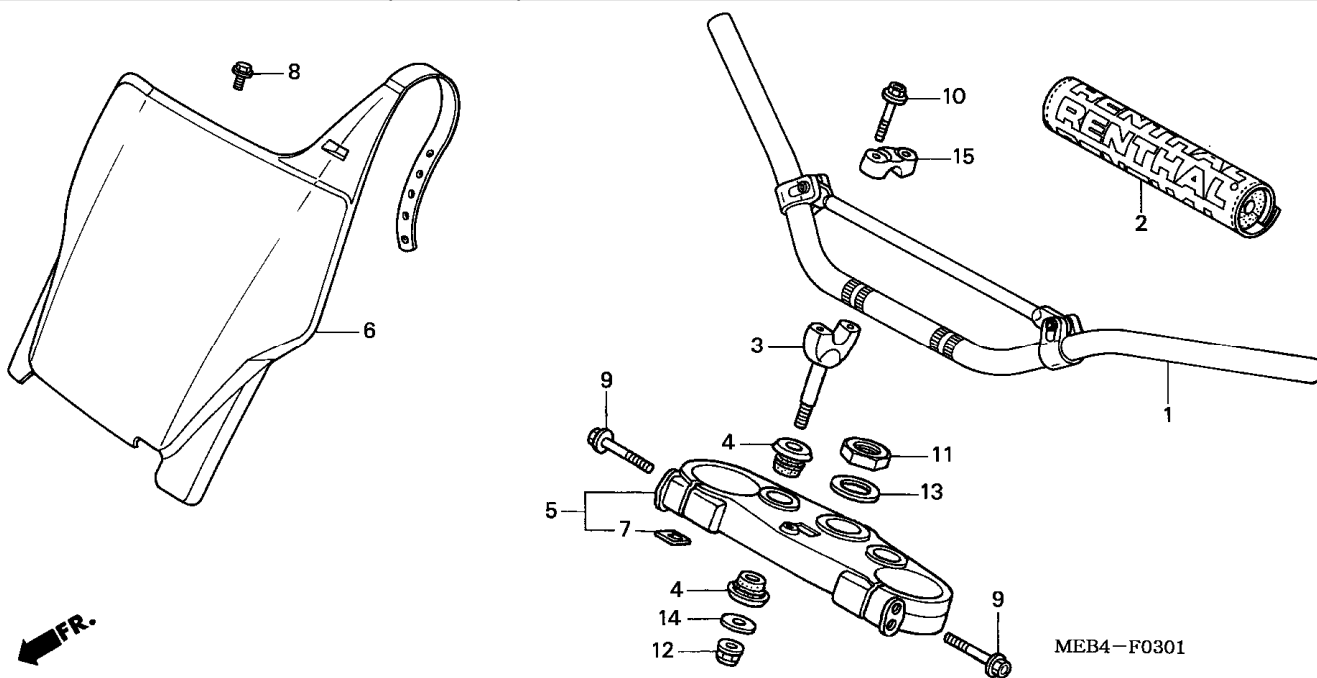
| Refnr | Part Number | Part Description | Unit Qty | Repair Qty | Price SEK (excl. VAT) |
|-------|---------------|------------------------------|----------|------------|-----------------------|
| 1 | 17910-MEN-730 | CABLE COMP. A, THROTTLE | 001 | 0,00 | 0,00 |
| 2 | 17913-KB7-000 | COVER, THROTTLE CABLE | 001 | 0,00 | 63,95 |
| 3 | 17920-MEN-730 | CABLE COMP. B, THROTTLE | 001 | 0,00 | 0,00 |
| 4 | 17950-MEN-730 | CABLE COMP., HOT STARTER | 001 | 0,00 | 0,00 |
| 5 | 22870-MEN-670 | CABLE COMP., CLUTCH | 001 | 0,00 | 192,82 |
| 6 | 32171-GF9-621 | LOCK, PURSE | 002 | 0,00 | 20,65 |
| 7 | 35130-MEB-670 | SWITCH ASSY., KILL | 001 | 0,00 | 268,27 |
| 8 | 53140-MEB-671 | GRIP COMP., THROTTLE | 001 | 0,00 | 157,78 |
| 9 | 53165-GBF-J60 | GRIP, R. HANDLE | 001 | 0,00 | 96,10 |
| 10 | 53166-GBF-J60 | GRIP, L. HANDLE | 001 | 0,00 | 96,10 |
| 11 | 53167-MEB-671 | HOUSING, UPPER THROTTLE | 001 | 0,00 | 212,50 |
| 12 | 53168-MEB-670 | HOUSING, UNDER THROTTLE | 001 | 0,00 | 212,50 |
| 13 | 53169-MEB-670 | SLIDER, THROTTLE CABLE | 001 | 0,00 | 39,41 |
| 14 | 53172-MEN-670 | BRACKET, L. HANDLE LEVER | 001 | 0,00 | 251,08 |
| 15 | 53174-KCE-670 | HOLDER, L. LEVER BRACKET | 001 | 0,00 | 108,70 |
| 16 | 53177-MEN-670 | COVER, L. HANDLE LEVER | 001 | 0,00 | 100,30 |
| 17 | 53178-MEN-670 | LEVER, L. STEERING HANDLE | 001 | 0,00 | 181,92 |
| 18 | 53179-MEN-671 | DIAL, CLUTCH CABLE ADJUSTING | 001 | 0,00 | 92,69 |
| 19 | 53190-MEN-670 | LEVER, HOT STARTER | 001 | 0,00 | 139,80 |
| 20 | 53192-MEN-670 | BOLT, WIRE ADJUSTING | 001 | 0,00 | 93,95 |
| 21 | 90113-MEN-670 | BOLT, HANDLE LEVER PIVOT | 001 | 0,00 | 58,72 |
| 22 | 90118-MEN-670 | BOLT, LEVER PIVOT | 001 | 0,00 | 23,40 |
| 23 | 90501-MEN-670 | COLLAR, PIVOT | 001 | 0,00 | 25,76 |
| 24 | 90650-KV6-003 | BAND, WIRE | 002 | 0,00 | 29,17 |
| 25 | 93500-040121A | SCREW, PAN, 4X12 | 001 | 0,00 | 6,09 |
| 26 | 94001-060000S | NUT, HEX., 6MM | 002 | 0,00 | 5,35 |
| 27 | 94111-04000- | WASHER, SPRING, 4MM | 001 | 0,00 | 6,09 |
| 28 | 96001-0602007 | BOLT, FLANGE, 6X20 | 002 | 0,00 | 6,09 |
| 29 | 96001-0602200 | BOLT, FLANGE, 6X22 | 002 | 0,00 | 7,56 |

Block F-2 FR. BRAKE MASTER CYLINDER



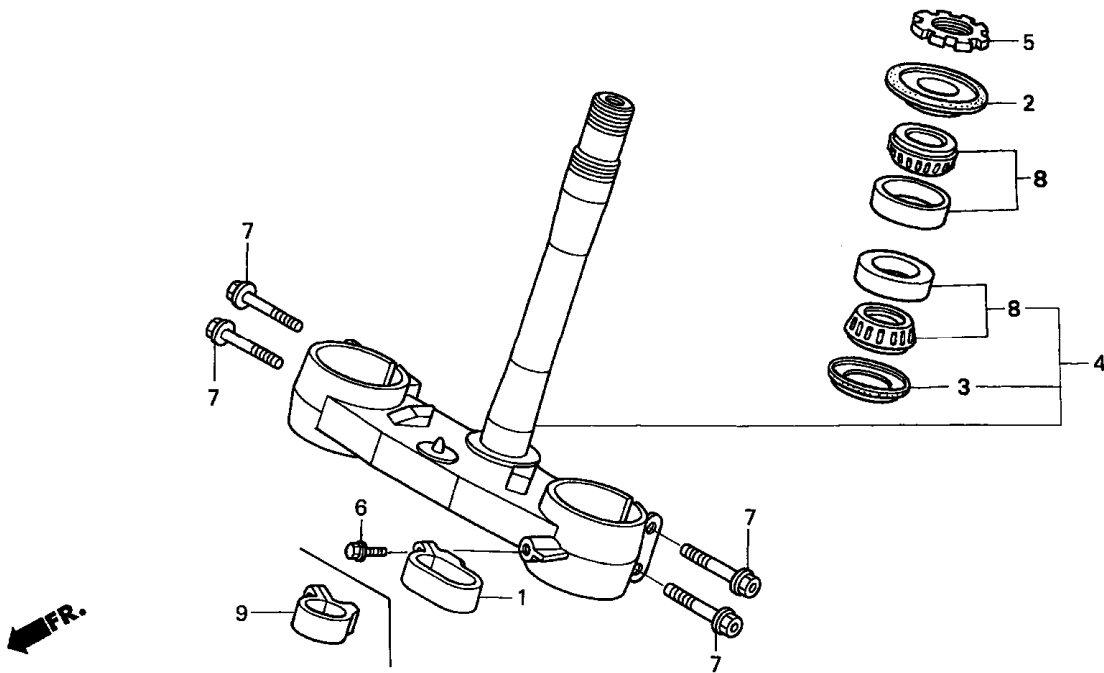
| Refnr | Part Number | Part Description | Unit Qty | Repair Qty | Price SEK (excl. VAT) |
|-------|---------------|---|----------|------------|--------------------------|
| 1 | 45125-MEN-003 | HOSE COMP., FR. BRAKE | 001 | 0,00 | 1 263,62 |
| 2 | 45504-KN5-006 | BOOT COMP. | 001 | 0,00 | 52,93 |
| 3 | 45510-KCE-671 | CYLINDER SUB ASSY., FR. BRAKE MASTER (NISSIN) | 001 | 0,00 | 2 070,00 |
| 4 | 45513-KCE-671 | CAP, MASTER CYLINDER | 001 | 0,00 | 136,12 |
| 5 | 45517-GW0-751 | HOLDER, MASTER CYLINDER | 001 | 0,00 | 90,98 |
| 6 | 45518-KA3-731 | SEPARATOR COMP. | 001 | 0,00 | 63,95 |
| 7 | 45520-KA3-731 | DIAPHRAGM | 001 | 0,00 | 61,59 |
| 8 | 45523-KA3-731 | RING | 001 | 0,00 | 14,35 |
| 9 | 45523-MEB-003 | RING | 001 | 0,00 | 7,26 |
| 10 | 45530-KCE-671 | PISTON SET, MASTER CYLINDER | 001 | 0,00 | 400,54 |
| 11 | 53170-MEB-003 | LEVER SET, R. HANDLE | 001 | 0,00 | 181,92 |
| 12 | 53174-KN5-006 | SPRING, BRAKE LEVER | 001 | 0,00 | 17,23 |
| 13 | 53176-ML3-791 | COVER, R. HANDLE LEVER | 001 | 0,00 | 56,34 |
| 14 | 90111-MEB-003 | BOLT SET, ADJUSTING | 001 | 0,00 | 47,09 |
| 15 | 90114-166-006 | BOLT, HANDLE LEVER PIVOT | 001 | 0,00 | 38,29 |
| 16 | 90145-MS9-612 | BOLT, OIL, 10X22 | 002 | 0,00 | 61,46 |
| 17 | 90545-300-000 | WASHER, OIL BOLT | 004 | 0,00 | 16,18 |
| 18 | 90651-MA5-671 | CIRCLIP | 001 | 0,00 | 12,12 |
| 19 | 93600-040121G | SCREW, FLAT, 4X12 | 002 | 0,00 | 4,02 |
| 20 | 94050-06000- | NUT, FLANGE, 6MM | 001 | 0,00 | 6,82 |
| 21 | 96001-0602200 | BOLT, FLANGE, 6X22 | 002 | 0,00 | 7,56 |

Block F-3-1 HANDLE PIPE/TOP BRIDGE (CRF450R4,5)



| Refnr | Part Number | Part Description | Unit Qty | Repair Qty | Price SEK (excl. VAT) |
|-------|---------------|------------------------------|----------|------------|-----------------------|
| 1 | 53100-MEN-670 | PIPE, STEERING HANDLE | 001 | 0,00 | 1 252,73 |
| 2 | 53121-MEN-670 | PROTECTOR, HANDLE | 001 | 0,00 | 343,59 |
| 3 | 53132-KZ4-J20 | HOLDER, HANDLE UNDER | 002 | 0,00 | 165,78 |
| 3 | 53132-KA3-831 | HOLDER, HANDLE UNDER | (2) | 0,00 | 217,49 |
| 4 | 53133-KA3-832 | CUSHION, HANDLE PIPE | 004 | 0,00 | 26,29 |
| 5 | 53300-MEN-000 | BRIDGE COMP., FORK TOP | 001 | 0,00 | 1 425,81 |
| 6 | 61136-MEN-670 | PLATE, FR. NUMBER *NH196* | 001 | 0,00 | 408,94 |
| 7 | 86150-KPG-901 | EMBLEM, PRODUCT | 001 | 0,00 | 19,46 |
| 8 | 90004-GHB-600 | BOLT, FLANGE, 6X10 (NSHF) | 001 | 0,00 | 33,22 |
| 9 | 90107-KZ4-J40 | BOLT, FLANGE, 8X45 | 004 | 0,00 | 34,72 |
| 10 | 90124-KZ4-J40 | BOLT, FLANGE, 8X35 | 004 | 0,00 | 37,54 |
| 11 | 90304-KZ4-J30 | NUT, STEERING STEM | 001 | 0,00 | 56,60 |
| 12 | 90306-KZ4-711 | NUT, U, 10MM | 002 | 0,00 | 19,59 |
| 13 | 90503-KZ4-J40 | WASHER, STEERING STEM | 001 | 0,00 | 16,05 |
| 14 | 90507-KA3-830 | WASHER, PLAIN, 10MM | 002 | 0,00 | 12,77 |
| 15 | 95014-22100- | HOLDER B1, HANDLE PIPE UPPER | 002 | 0,00 | 108,80 |

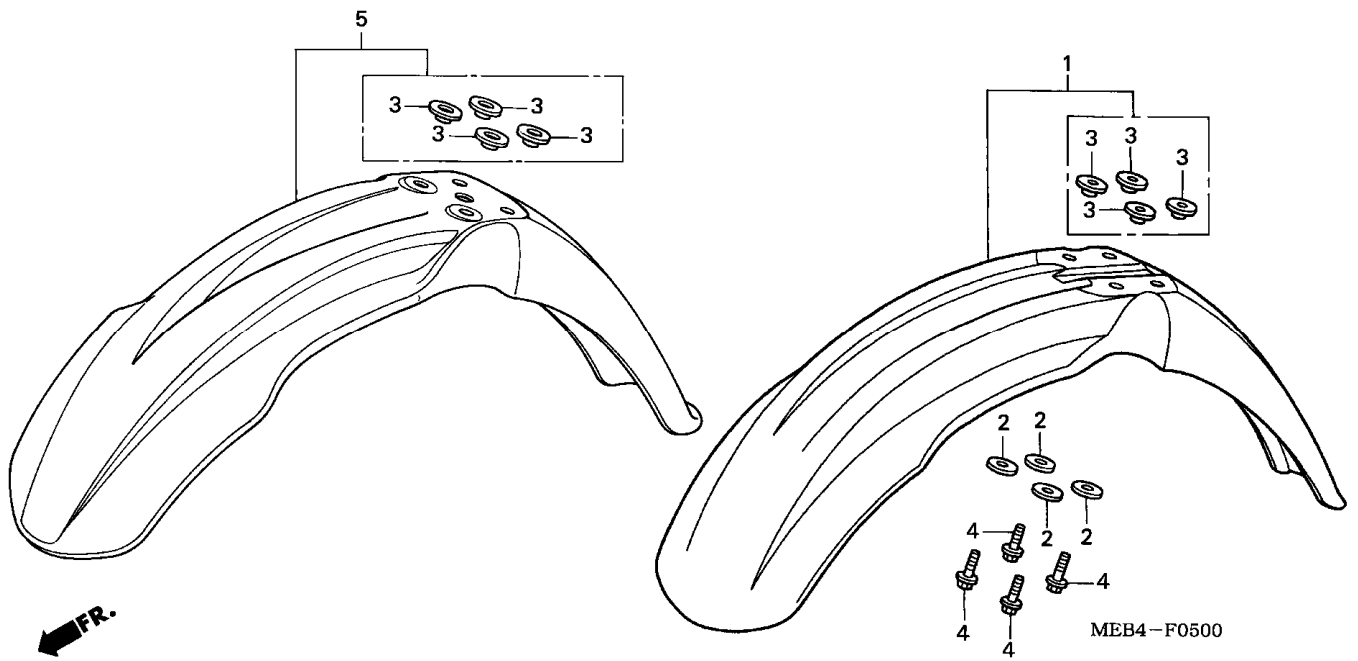
Block F-4 STEERING STEM



MEB4-F0400A

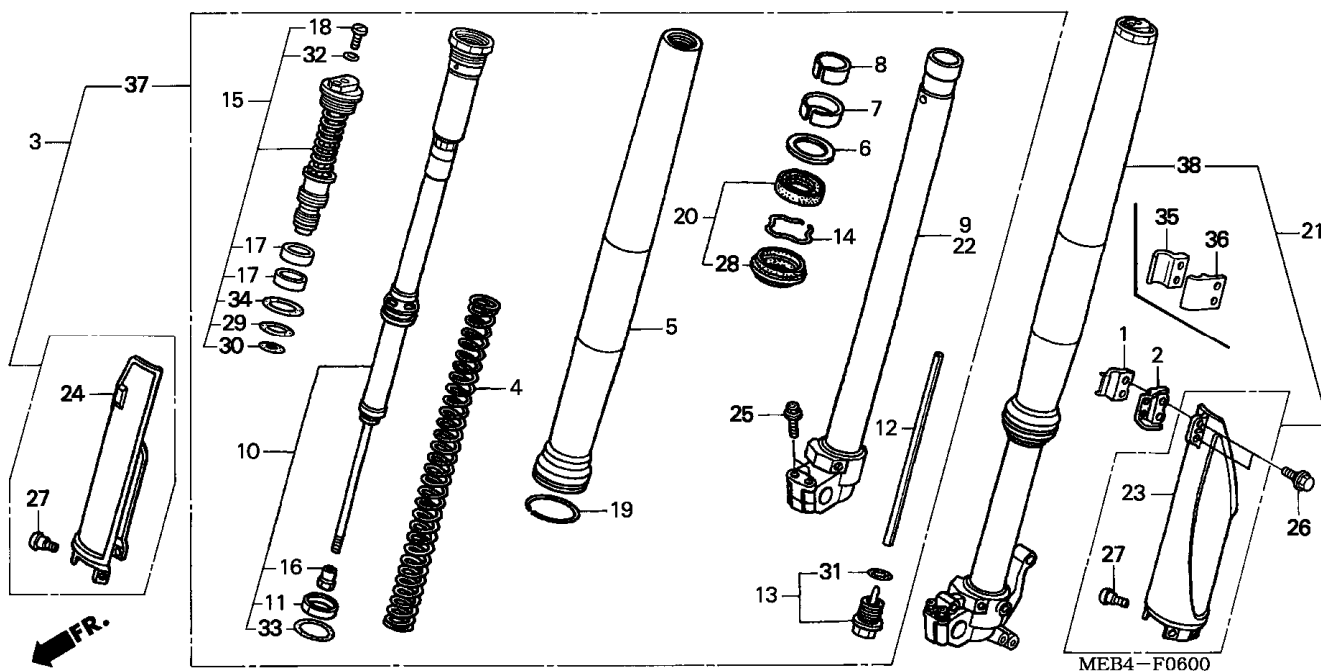
| Refnr | Part Number | Part Description | Unit Qty | Repair Qty | Price SEK (excl. VAT) |
|-------|---------------|---------------------------------|----------|------------|--------------------------|
| 2 | 53214-KZ3-861 | DUST SEAL, STEERING HEAD (ARAI) | 001 | 0,00 | 48,66 |
| 3 | 53214-KZ4-701 | DUST SEAL, STEERING HEAD (ARAI) | 001 | 0,00 | 47,73 |
| 4 | 53219-KRN-710 | STEM SUB ASSY., STEERING | 001 | 0,00 | 3 837,62 |
| 5 | 53229-KZ4-J30 | THREAD, STEERING HEAD TOP | 001 | 0,00 | 85,87 |
| 6 | 90106-MJ0-000 | BOLT, FLANGE, 6X16 | 001 | 0,00 | 21,03 |
| 7 | 90107-KZ4-J40 | BOLT, FLANGE, 8X45 | 004 | 0,00 | 34,72 |
| 8 | 91015-KZ4-701 | BEARING, HEAD PIPE (NTN) | 002 | 0,00 | 265,57 |
| 9 | 45468-KS7-830 | GUIDE, FR. BRAKE HOSE | 001 | 0,00 | 96,10 |

Block F-5 FRONT FENDER



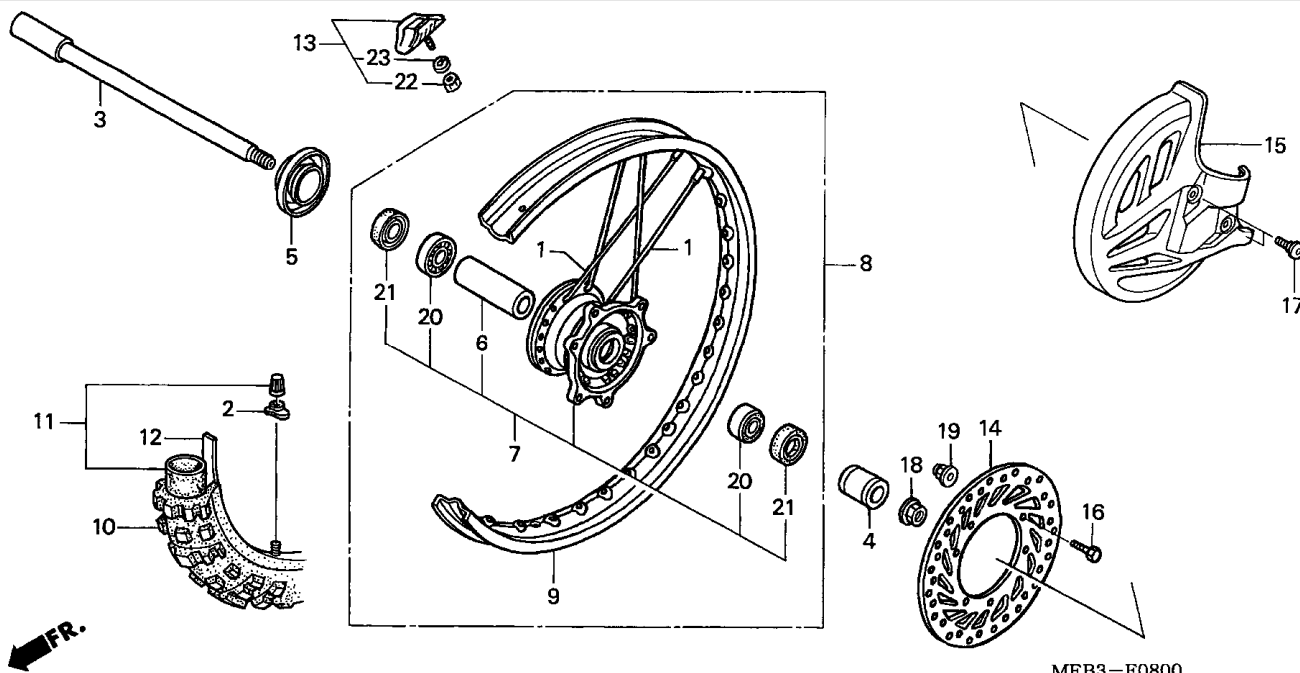
| Refnr | Part Number | Part Description | Unit Qty | Repair Qty | Price SEK (excl. VAT) |
|-------|---------------|-------------------------|----------|------------|--------------------------|
| 2 | 90506-430-000 | WASHER, FENDER MOUNTING | 004 | 0,00 | 28,52 |
| 3 | 90512-KZ4-J20 | COLLAR, FR. FENDER | 004 | 0,00 | 36,79 |
| 4 | 96001-0601600 | BOLT, FLANGE, 6X16 | 004 | 0,00 | 6,09 |
| 5 | 61110-MEN-670 | FENDER SUB ASSY., FR. | 001 | 0,00 | 797,51 |

Block F-6 FRONT FORK



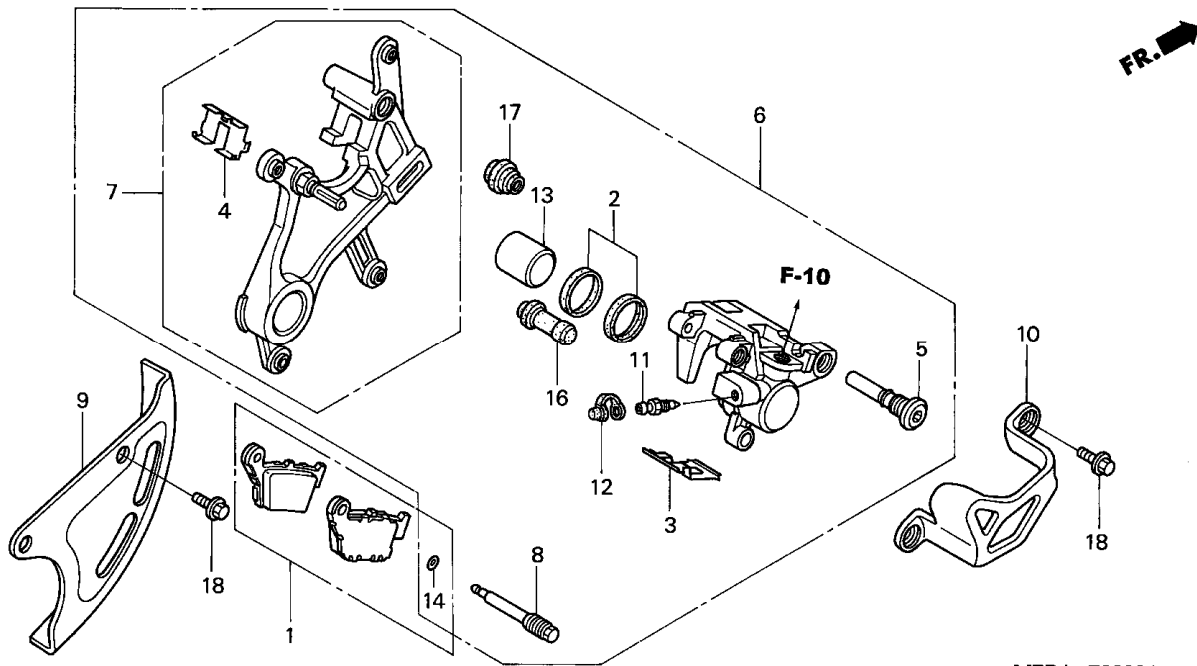
| Refnr | Part Number | Part Description | Unit Qty | Repair Qty | Price SEK (excl. VAT) |
|-------|---------------|--|----------|------------|-----------------------|
| 4 | 51403-KZ3-J41 | SPRING, FR. FORK (SHOWA) (4.51N/MM,0.46KGF/MM) | 002 | 0,00 | 576,13 |
| 4 | 51401-KZ3-J41 | SPRING, FR. FORK (SHOWA) (4.31N/MM,0.44KGF/MM) | (2) | 0,00 | 576,13 |
| 4 | 51401-MEN-711 | SPRING, FR. FORK (4.71N/MM,0.48KGF/MM) | (2) | 0,00 | 0,00 |
| 5 | 51410-MEN-003 | TUBE, OUTER | 002 | 0,00 | 3 431,74 |
| 6 | 51412-KRN-711 | RING, BACK UP | 002 | 0,00 | 0,00 |
| 7 | 51414-KZ3-B01 | BUSH, GUIDE | 002 | 0,00 | 96,36 |
| 8 | 51415-KZ3-B01 | BUSH, SLIDER | 002 | 0,00 | 96,36 |
| 9 | 51420-MEN-711 | PIPE COMP., R. SLIDE | 001 | 0,00 | 0,00 |
| 10 | 51430-MEN-711 | DAMPER COMP., FR. | 002 | 0,00 | 0,00 |
| 11 | 51431-KZ3-B01 | BUSH B, SLIDER | 002 | 0,00 | 105,81 |
| 12 | 51437-KZ3-J41 | COLLAR, REBOUND NEEDLE | 002 | 0,00 | 86,78 |
| 13 | 51440-KRN-711 | BOLT COMP., CENTER | 002 | 0,00 | 0,00 |
| 14 | 51447-KZ3-003 | RING, OIL SEAL STOPPER | 002 | 0,00 | 28,52 |
| 15 | 51450-MEN-711 | BOLT ASSY., FR. FORK | 002 | 0,00 | 0,00 |
| 16 | 51451-KZ3-B01 | NUT, LOCK | 002 | 0,00 | 62,77 |
| 17 | 51453-KZ3-B01 | BUSH C, SLIDER | 004 | 0,00 | 38,62 |
| 18 | 51456-KZ3-J41 | BOLT, PLUG | 002 | 0,00 | 50,30 |
| 19 | 51476-KZ3-711 | RING, WEAR | 002 | 0,00 | 26,95 |
| 20 | 51490-MEN-003 | SEAL SET, FR. FORK | 002 | 0,00 | 239,40 |
| 22 | 51520-MEN-711 | PIPE COMP., L. SLIDE | 001 | 0,00 | 0,00 |
| 23 | 51620-MEN-000 | PROTECTOR, L. FR. FORK *TNATURAL* | 001 | 0,00 | 347,66 |
| 24 | 51610-MEN-000 | PROTECTOR, R. FR. FORK *TNATURAL* | 001 | 0,00 | 347,66 |
| 25 | 90108-KZ4-J40 | BOLT, FLANGE, 8X40 | 004 | 0,00 | 34,72 |
| 26 | 90113-KZ3-000 | BOLT, FLANGE, 6MM | 002 | 0,00 | 25,16 |
| 27 | 90113-MAC-780 | BOLT, PROTECTOR | 006 | 0,00 | 21,03 |
| 28 | 91254-KZ3-J31 | DUST SEAL | 002 | 0,00 | 103,84 |
| 29 | 91256-KZ3-A71 | O-RING, 26.7X3.5 | 002 | 0,00 | 26,29 |
| 30 | 91257-MEB-751 | O-RING, 27.7X1.9 | 002 | 0,00 | 26,29 |
| 31 | 91258-KZ3-B01 | O-RING, 18.8X1.9 | 002 | 0,00 | 15,53 |
| 32 | 91301-KZ3-711 | O-RING, 3.5X1.5 | 002 | 0,00 | 8,05 |
| 33 | 91356-KZ3-003 | O-RING, 44.7X2.4 | 002 | 0,00 | 29,70 |
| 34 | 91356-MW0-003 | O-RING, 37.2X2.4 (SHOWA) | 002 | 0,00 | 18,28 |
| 35 | 45461-MEN-000 | CLAMPER A, FR. BRAKE HOSE | 001 | 0,00 | 53,06 |
| 36 | 45462-MEN-000 | CLAMPER B, FR. BRAKE HOSE | 001 | 0,00 | 39,15 |
| 37 | 51480-MEN-711 | FORK SUB ASSY., R. FR. (SHOWA) | 001 | 0,00 | 0,00 |
| 38 | 51580-MEN-711 | FORK SUB ASSY., L. FR. (SHOWA) | 001 | 0,00 | 7 730,19 |

Block F-8 FRONT WHEEL



| Refnr | Part Number | Part Description | Unit Qty | Repair Qty | Price SEK (excl. VAT) |
|-------|---------------|---|----------|------------|--------------------------|
| 1 | 06440-KZ4-820 | SPOKE SET, FR. (226.5MM) (FOR 20 INCHES) | (36 | 0,00 | 29,17 |
| 1 | 06440-KZ4-J40 | SPOKE SET, FR. (240MM) | 036 | 0,00 | 29,17 |
| 2 | 42714-KA3-710 | CAP, VALVE | 001 | 0,00 | 62,50 |
| 3 | 44301-MEN-000 | AXLE, FR. WHEEL | 001 | 0,00 | 379,42 |
| 4 | 44311-KZ4-J40 | COLLAR, L. FR. WHEEL | 001 | 0,00 | 89,41 |
| 5 | 44312-MEN-000 | COLLAR COMP., R. FR. WHEEL | 001 | 0,00 | 126,81 |
| 6 | 44620-MAC-680 | COLLAR, FR. DISTANCE | 001 | 0,00 | 113,42 |
| 7 | 44635-MAC-680 | HUB SUB ASSY., FR. WHEEL | 001 | 0,00 | 2 151,76 |
| 8 | 44650-MEN-000 | WHEEL SUB ASSY., FR. | 001 | 0,00 | 5 376,26 |
| 8 | 44650-KZ3-810 | WHEEL SUB ASSY., FR. (FOR 20 INCHES) | (1) | 0,00 | 5 894,99 |
| 9 | 44701-MEN-003 | RIM, FR. WHEEL (21X1.60) | 001 | 0,00 | 2 313,82 |
| 9 | 44701-KZ3-811 | RIM, FR. WHEEL (20X1.85) | (1) | 0,00 | 2 779,55 |
| 10 | 44711-MEB-771 | TIRE, FR. (PIRELLI) (80/100-21 M/C 51R MST MT32A) | 001 | 0,00 | 1 828,81 |
| 10 | 44711-KZ4-811 | TIRE, FR. (DUNLOP) (90/100-20 56M D739FA) | (1) | 0,00 | 2 348,99 |
| 11 | 44712-MEB-771 | TUBE, TIRE (PIRELLI) (80/100-21) | 001 | 0,00 | 370,76 |
| 11 | 44712-KZ4-811 | TUBE, TIRE (DUNLOP) (90/100-20) | (1) | 0,00 | 455,40 |
| 12 | 44713-MEB-771 | FLAP, TIRE (PIRELLI) | 001 | 0,00 | 53,59 |
| 12 | 44713-KZ4-811 | FLAP, TIRE (DUNLOP) (FOR 20 INCHES) | (1) | 0,00 | 339,65 |
| 13 | 44715-MA0-770 | STOPPER, BEAD (1.60) | 001 | 0,00 | 263,94 |
| 13 | 42715-KA2-680 | STOPPER, BEAD (1.85) (FOR 20 INCHES) | (1) | 0,00 | 278,11 |
| 14 | 45351-KZ4-J30 | DISK, FR. BRAKE | 001 | 0,00 | 1 335,79 |
| 15 | 51614-KZ4-J41 | COVER, FR. DISK *TNATURAL* | 001 | 0,00 | 208,56 |
| 16 | 90105-MAC-680 | BOLT, DISK, 6X19 | 006 | 0,00 | 19,17 |
| 17 | 90114-MAC-780 | BOLT, FR. DISK COVER | 002 | 0,00 | 18,04 |
| 18 | 90301-KZ4-J40 | NUT, FR. AXLE | 001 | 0,00 | 124,18 |
| 19 | 90301-473-003 | NUT, U, 6MM | 006 | 0,00 | 25,10 |
| 20 | 91062-MAC-681 | BEARING, RADIAL BALL, 6904 | 002 | 0,00 | 96,88 |
| 21 | 91201-KS6-004 | OIL SEAL, 26X37X7 (ARAI) | 002 | 0,00 | 76,28 |
| 22 | 94001-080000S | NUT, HEX., 8MM | 001 | 0,00 | 4,02 |
| 23 | 94111-08000- | WASHER, SPRING, 8MM | 001 | 0,00 | 6,09 |

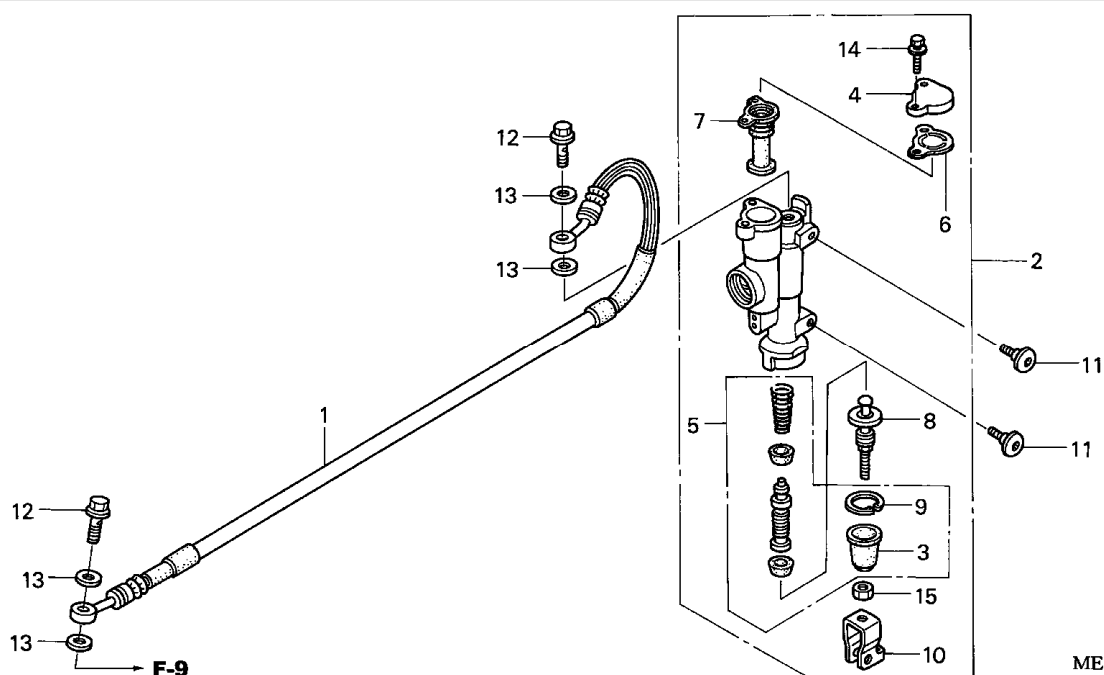
Block F-9 REAR BRAKE CALIPER



MEB4-F0900A

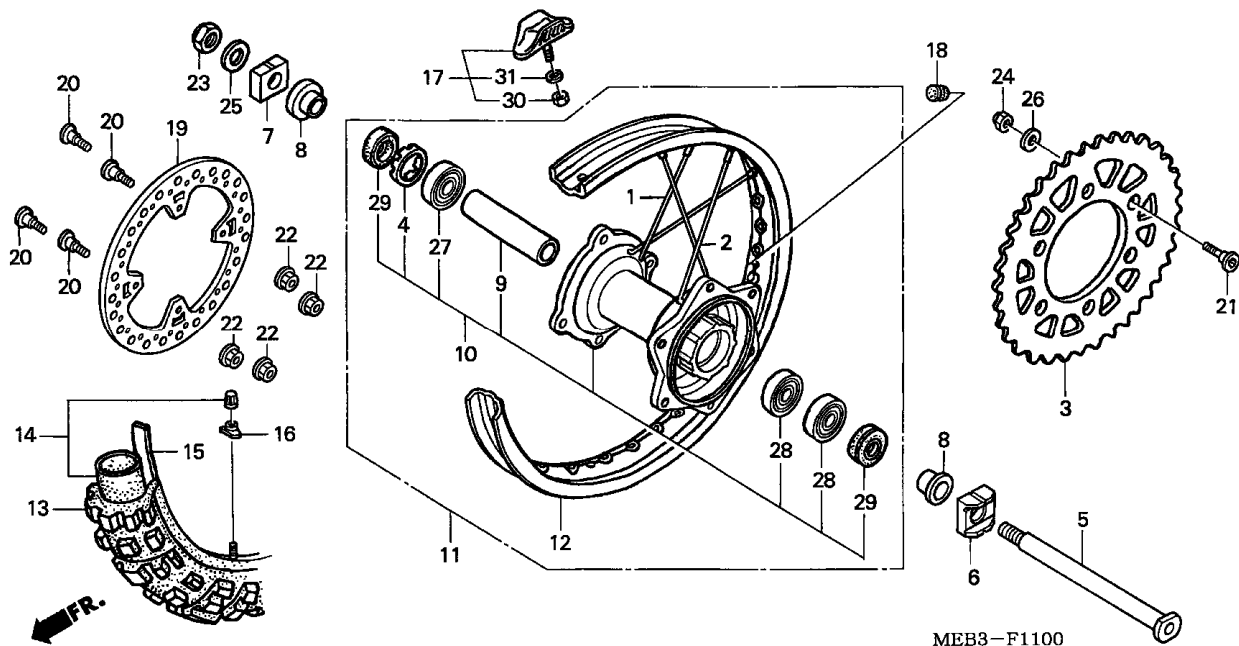
| Refnr | Part Number | Part Description | Unit Qty | Repair Qty | Price SEK (excl. VAT) |
|-------|---------------|---------------------------------------|----------|------------|--------------------------|
| 1 | 06435-KRN-711 | PAD SET, RR. | 001 | 0,00 | 349,67 |
| 2 | 06451-MZ2-405 | SEAL SET, PISTON | 001 | 0,00 | 59,36 |
| 3 | 43108-KZ4-J41 | SPRING, PAD | 001 | 0,00 | 32,59 |
| 4 | 43112-KZ4-J41 | RETAINER, BRACKET | 001 | 0,00 | 30,62 |
| 5 | 43131-KW3-006 | BOLT, PIN | 001 | 0,00 | 29,17 |
| 6 | 43150-KRN-711 | CALIPER SUB ASSY., RR. BRAKE (NISSIN) | 001 | 0,00 | 0,00 |
| 7 | 43190-KRN-711 | BRACKET SUB ASSY., RR. | 001 | 0,00 | 0,00 |
| 8 | 43215-KZ4-J41 | PIN, HANGER | 001 | 0,00 | 43,87 |
| 9 | 43330-KZ4-J40 | COVER, RR. DISK *TNATURAL* | 001 | 0,00 | 140,72 |
| 10 | 43340-KZ4-J40 | GUARD, RR. CALIPER *TNATURAL* | 001 | 0,00 | 116,84 |
| 11 | 43352-568-003 | SCREW, BLEEDER (NISSIN) | 001 | 0,00 | 44,53 |
| 12 | 43353-461-771 | CAP, BLEEDER | 001 | 0,00 | 31,53 |
| 13 | 45107-MCT-006 | PISTON (22 A) | 001 | 0,00 | 229,43 |
| 14 | 45111-MAJ-G41 | RING, STOPPER | 001 | 0,00 | 10,02 |
| 16 | 45132-166-016 | BOOT, PIN BUSH (NISSIN) | 001 | 0,00 | 21,82 |
| 17 | 45133-MA3-006 | BOOT B | 001 | 0,00 | 31,53 |
| 18 | 90004-GHB-600 | BOLT, FLANGE, 6X10 (NSHF) | 004 | 0,00 | 33,22 |

Block F-10 RR. BRAKE MASTER CYLINDER



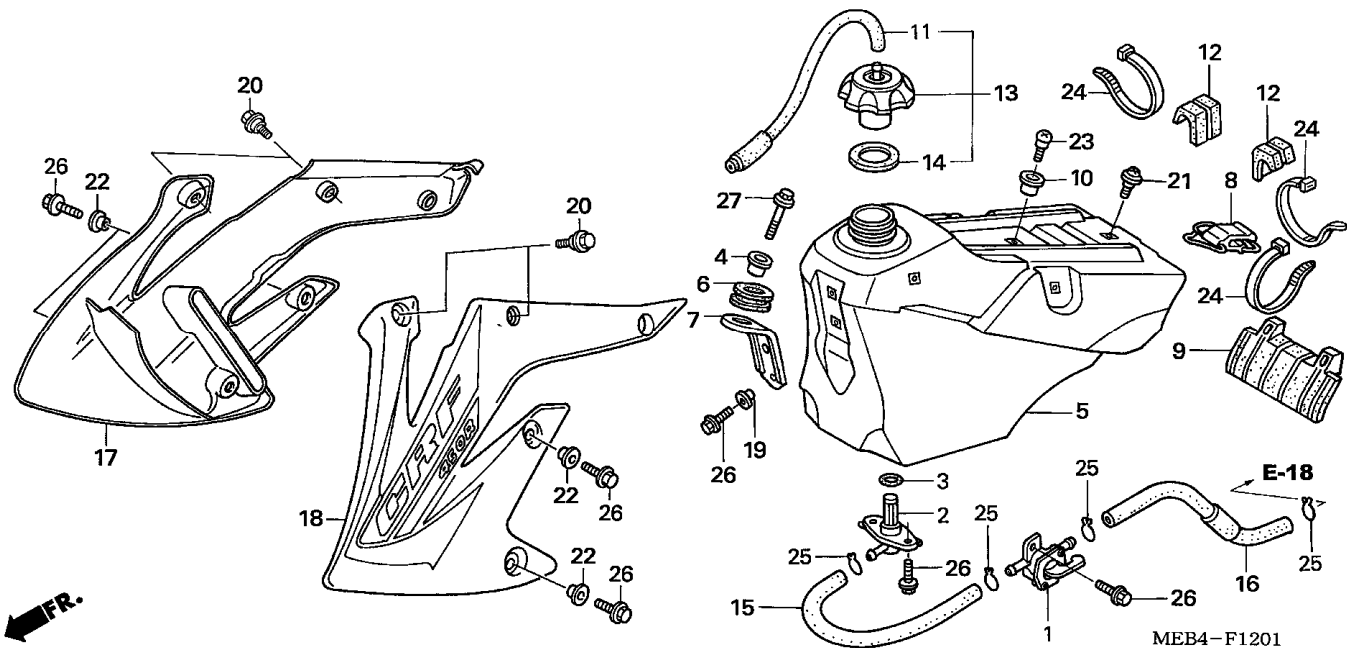
| Refnr | Part Number | Part Description | Unit Qty | Repair Qty | Price SEK (excl. VAT) |
|-------|---------------|---|----------|------------|-----------------------|
| 1 | 43310-MEB-003 | HOSE COMP., RR. BRAKE | 001 | 0,00 | 396,21 |
| 2 | 43500-KZ4-J42 | CYLINDER ASSY., RR. BRAKE MASTER (NISSIN) | 001 | 0,00 | 1 619,24 |
| 3 | 43504-MB2-006 | BOOT COMP. | 001 | 0,00 | 44,40 |
| 4 | 43513-KZ4-J41 | CAP, MASTER CYLINDER | 001 | 0,00 | 28,12 |
| 5 | 43520-KZ4-J42 | PISTON SET, MASTER CYLINDER | 001 | 0,00 | 400,54 |
| 6 | 43521-KZ4-J41 | PLATE, DIAPHRAGM | 001 | 0,00 | 33,76 |
| 7 | 43522-KZ4-J41 | DIAPHRAGM | 001 | 0,00 | 113,81 |
| 8 | 43530-KZ4-J41 | ROD COMP., PUSH | 001 | 0,00 | 133,63 |
| 9 | 46182-500-013 | CIRCLIP | 001 | 0,00 | 19,62 |
| 10 | 46504-KZ4-J41 | JOINT, BRAKE ROD | 001 | 0,00 | 42,96 |
| 11 | 90114-MAC-780 | BOLT, FR. DISK COVER | 002 | 0,00 | 18,04 |
| 12 | 90145-MS9-612 | BOLT, OIL, 10X22 | 002 | 0,00 | 61,46 |
| 13 | 90545-300-000 | WASHER, OIL BOLT | 004 | 0,00 | 16,18 |
| 14 | 93401-0401600 | BOLT-WASHER, 4X16 | 002 | 0,00 | 4,31 |
| 15 | 94002-060000S | NUT, HEX., 6MM | 001 | 0,00 | 5,79 |

Block F-11 REAR WHEEL



| Refnr | Part Number | Part Description | Unit Qty | Repair Qty | Price SEK (excl. VAT) |
|-------|---------------|--|----------|------------|--------------------------|
| 1 | 06420-KRN-710 | SPOKE SET, RR. (INSIDE) | 016 | 0,00 | 25,10 |
| 2 | 06421-KRN-710 | SPOKE SET, RR. (OUTSIDE) | 016 | 0,00 | 25,10 |
| 3 | 41202-KZ3-J40 | SPROCKET, FINAL DRIVEN (48T) | 001 | 0,00 | 751,68 |
| 3 | 41201-KZ3-J40 | SPROCKET, FINAL DRIVEN (49T) | (1) | 0,00 | 751,68 |
| 3 | 41202-ML3-811 | SPROCKET, FINAL DRIVEN (47T) | (1) | 0,00 | 899,82 |
| 4 | 41231-KZ4-J20 | RETAINER, RR. WHEEL BEARING | 001 | 0,00 | 128,38 |
| 5 | 42301-KZ4-J40 | AXLE, RR. WHEEL | 001 | 0,00 | 605,65 |
| 6 | 42305-KZ4-J40 | COLLAR, L. RR. AXLE | 001 | 0,00 | 134,42 |
| 7 | 42306-KZ4-J20 | COLLAR, R. RR. AXLE | 001 | 0,00 | 124,71 |
| 8 | 42311-KZ4-J40 | COLLAR, RR. WHEEL SIDE | 002 | 0,00 | 135,73 |
| 9 | 42620-KZ4-J20 | COLLAR, RR. WHEEL DISTANCE | 001 | 0,00 | 237,96 |
| 10 | 42635-KRN-710 | HUB SUB ASSY., RR. | 001 | 0,00 | 0,00 |
| 11 | 42650-MEN-710 | WHEEL SUB ASSY., RR. | 001 | 0,00 | 7 014,48 |
| 12 | 42701-KZ3-J41 | RIM, RR. WHEEL (19X2.15) | 001 | 0,00 | 1 610,98 |
| 13 | 42711-MEB-771 | TIRE, RR. (PIRELLI) (110/90-19 NHS MT32) | 001 | 0,00 | 2 436,39 |
| 14 | 42712-MEB-771 | TUBE, TIRE (PIRELLI) | 001 | 0,00 | 380,73 |
| 15 | 42713-MEB-771 | FLAP, TIRE (PIRELLI) | 001 | 0,00 | 50,83 |
| 16 | 42714-KA3-710 | CAP, VALVE | 001 | 0,00 | 62,50 |
| 17 | 42715-MA0-770 | STOPPER, BEAD (2.15) | 001 | 0,00 | 323,12 |
| 18 | 42717-329-000 | CAP, RIM HOLE | 001 | 0,00 | 40,86 |
| 19 | 43351-KZ4-J40 | DISK, RR. BRAKE | 001 | 0,00 | 1 483,82 |
| 20 | 90105-MAC-680 | BOLT, DISK, 6X19 | 004 | 0,00 | 19,17 |
| 21 | 90125-KA4-000 | SCREW, FLAT, 8X31 | 006 | 0,00 | 18,93 |
| 22 | 90301-473-003 | NUT, U, 6MM | 004 | 0,00 | 25,10 |
| 23 | 90305-KZ4-J20 | NUT, U, 22MM | 001 | 0,00 | 62,50 |
| 24 | 90309-ML3-791 | NUT, U, 8MM | 006 | 0,00 | 27,86 |
| 25 | 90401-KZ4-J20 | WASHER, 22X35X2 | 001 | 0,00 | 26,95 |
| 26 | 90465-MC4-000 | WASHER, 8MM | 006 | 0,00 | 25,10 |
| 27 | 91051-KZ4-J21 | BEARING, RADIAL BALL, 69052RS | 001 | 0,00 | 169,45 |
| 28 | 91052-KZ4-J21 | BEARING, RADIAL BALL, 6905RS | 002 | 0,00 | 159,22 |
| 29 | 91251-KZ4-J21 | DUST SEAL, 32X43X7 | 002 | 0,00 | 58,70 |
| 30 | 94001-080000S | NUT, HEX., 8MM | 001 | 0,00 | 4,02 |
| 31 | 94111-08000- | WASHER, SPRING, 8MM | 001 | 0,00 | 6,09 |

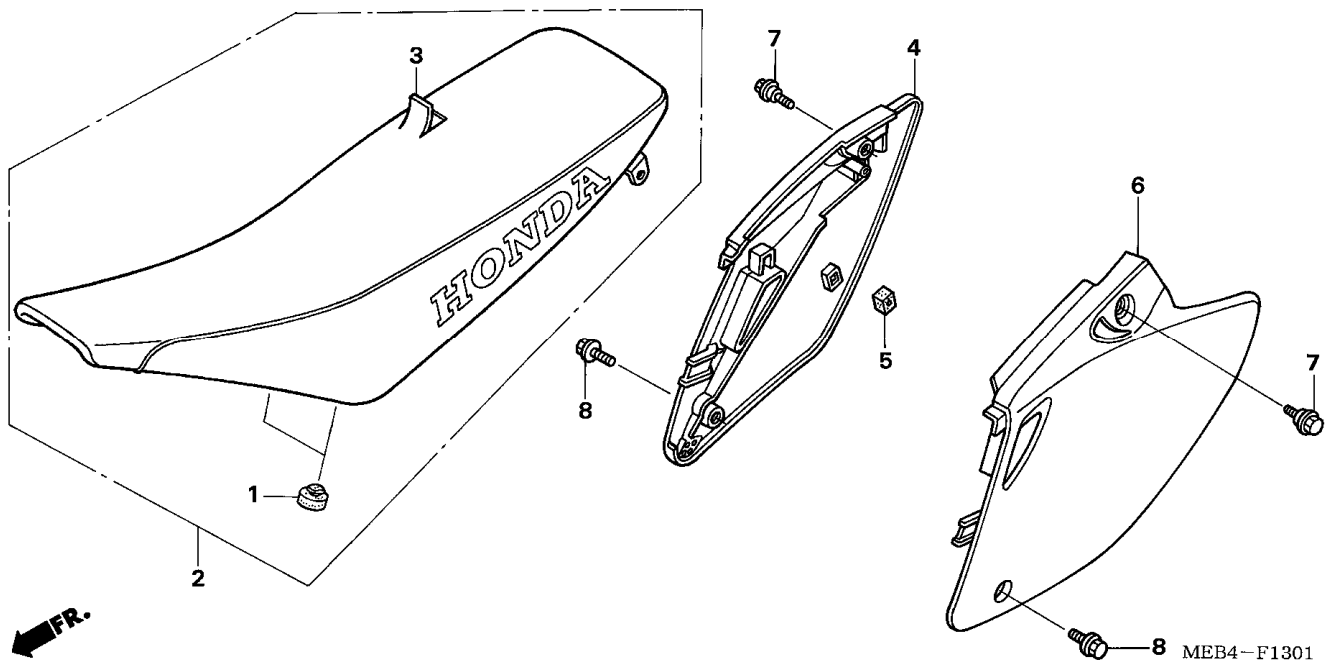
Block F-12-1 FUEL TANK (CRF450R5)



MEB4-F1201

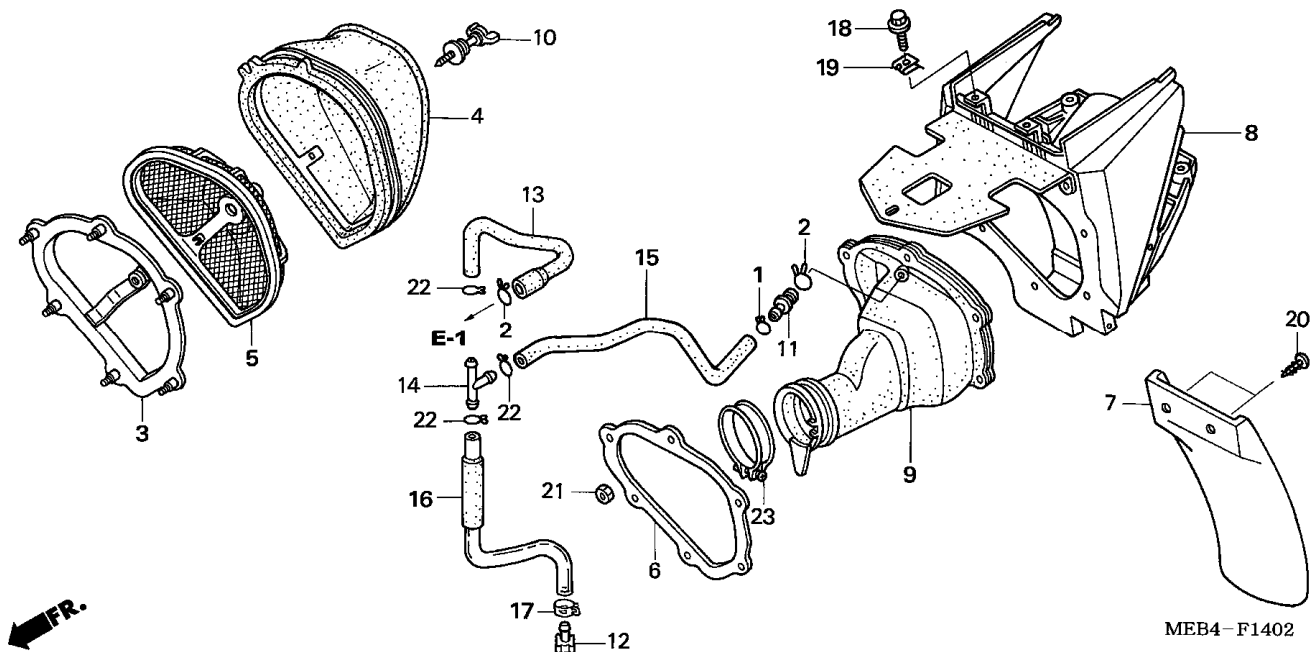
| Refnr | Part Number | Part Description | Unit Qty | Repair Qty | Price SEK (excl. VAT) |
|-------|---------------|--------------------------------------|----------|------------|-----------------------|
| 1 | 16950-MEN-730 | COCK ASSY., FUEL | 001 | 0,00 | 0,00 |
| 2 | 16955-MEB-671 | JOINT ASSY., FUEL | 001 | 0,00 | 114,47 |
| 3 | 16997-467-000 | O-RING, 11.8X3.55 | 001 | 0,00 | 30,62 |
| 4 | 17509-KZ3-B00 | COLLAR, TANK SETTING | 001 | 0,00 | 44,92 |
| 5 | 17510-MEN-730 | TANK COMP., FUEL | 001 | 0,00 | 0,00 |
| 6 | 17514-MEB-670 | RUBBER, TANK MOUNTING FR. | 001 | 0,00 | 27,60 |
| 7 | 17515-MEN-730 | STAY, FR. TANK | 001 | 0,00 | 0,00 |
| 8 | 17516-MEN-730 | BAND, TANK RR. | 001 | 0,00 | 0,00 |
| 9 | 17517-MEN-730 | RUBBER, TANK MOUNTING | 001 | 0,00 | 0,00 |
| 10 | 17518-KZ4-710 | COLLAR, SEAT FR. | 001 | 0,00 | 28,52 |
| 11 | 17521-MEN-730 | TUBE COMP., FUEL CAP BREATHER | 001 | 0,00 | 0,00 |
| 12 | 17522-MEN-730 | RUBBER, TANK SIDE MOUNTING | 002 | 0,00 | 0,00 |
| 13 | 17620-MEN-730 | CAP ASSY., FUEL TANK | 001 | 0,00 | 0,00 |
| 14 | 17624-KT1-780 | PACKING, FUEL CAP | 001 | 0,00 | 23,66 |
| 15 | 17681-MEN-730 | TUBE, FUEL | 001 | 0,00 | 0,00 |
| 16 | 17682-MEN-730 | TUBE B, FUEL | 001 | 0,00 | 0,00 |
| 17 | 19071-MEN-730 | SHROUD SET, R. RADIATOR (WL) *TYPE1* | 001 | 0,00 | 0,00 |
| 18 | 19072-MEN-730 | SHROUD SET, L. RADIATOR (WL) *TYPE1* | 001 | 0,00 | 0,00 |
| 19 | 84706-415-000 | COLLAR | 002 | 0,00 | 18,93 |
| 20 | 90101-KRN-730 | BOLT, SPECIAL, 5X9 | 004 | 0,00 | 0,00 |
| 21 | 90105-MEN-730 | SCREW, 5X12 | 001 | 0,00 | 0,00 |
| 22 | 90501-KZ4-J20 | COLLAR A | 004 | 0,00 | 32,85 |
| 23 | 91422-MT8-770 | SCREW, SPECIAL, 5MM | 001 | 0,00 | 15,79 |
| 24 | 91560-MS8-600 | TY-RAP, CABLE | 003 | 0,00 | 10,41 |
| 25 | 95002-02120- | CLIP, TUBE (B12) | 004 | 0,00 | 4,90 |
| 26 | 96001-0601600 | BOLT, FLANGE, 6X16 | 009 | 0,00 | 6,09 |
| 27 | 96001-0603000 | BOLT, FLANGE, 6X30 | 001 | 0,00 | 9,03 |

Block F-13-1 SEAT/SIDE COVER (CRF450R5)



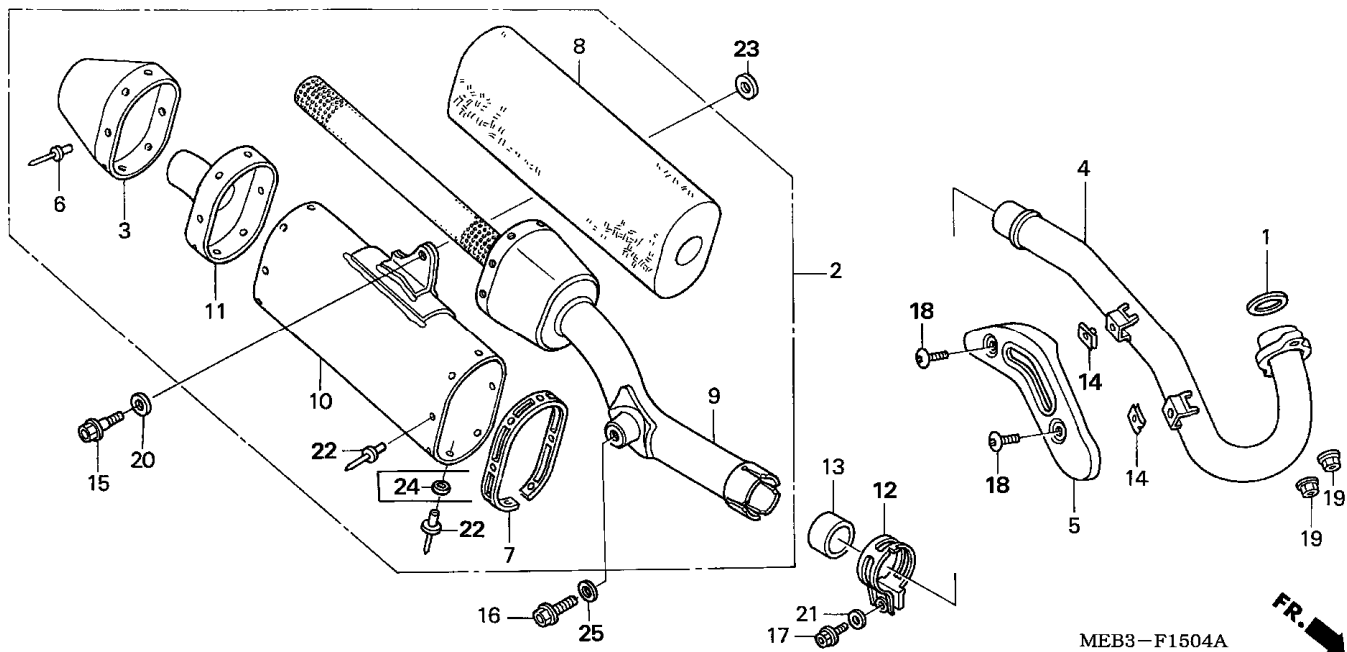
| Refnr | Part Number | Part Description | Unit Qty | Repair Qty | Price SEK (excl. VAT) |
|-------|---------------|--|----------|------------|-----------------------|
| 1 | 50524-KBW-900 | RUBBER, STAND STOPPER | 002 | 0,00 | 29,43 |
| 2 | 77100-MEN-730 | SEAT COMP. | 001 | 0,00 | 1 654,15 |
| 3 | 77101-MEN-730 | LEATHER COMP., SEAT (NO LETTERS PRINTED) | 001 | 0,00 | 0,00 |
| 4 | 83510-MEN-731 | COVER, R. SIDE | 001 | 0,00 | 0,00 |
| 5 | 83515-KS7-830 | RUBBER, SIDE COVER STOPPER | 001 | 0,00 | 18,68 |
| 6 | 83610-MEN-731 | COVER, L. SIDE | 001 | 0,00 | 0,00 |
| 7 | 90102-MEN-710 | BOLT, SPECIAL, 8MM | 002 | 0,00 | 0,00 |
| 8 | 90103-MEN-710 | BOLT, SPECIAL, 6MM | 002 | 0,00 | 0,00 |

Block F-14-2 AIR CLEANER (CRF450R5)



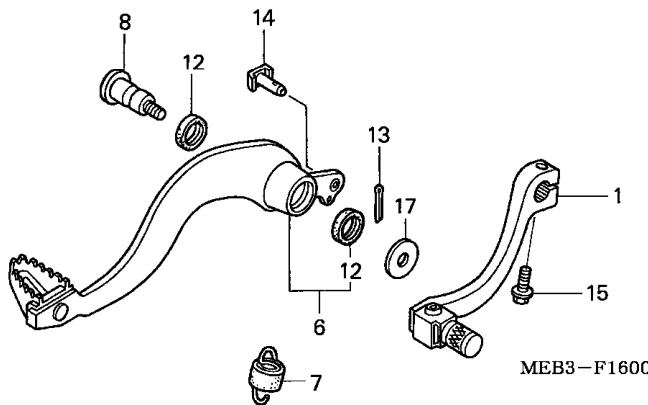
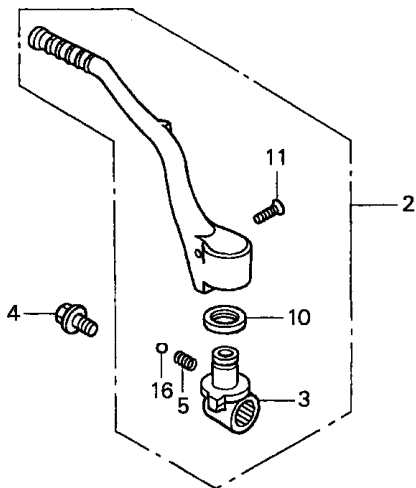
| Refnr | Part Number | Part Description | Unit Qty | Repair Qty | Price SEK (excl. VAT) |
|-------|---------------|--|----------|------------|-----------------------|
| 1 | 90661-GHB-610 | CLAMP B, TUBE, 12.5MM | 001 | 0,00 | 7,26 |
| 2 | 15771-551-000 | CLIP, OIL DRAIN TUBE | 002 | 0,00 | 42,29 |
| 3 | 17212-MEN-670 | STAY, AIR CLEANER ELEMENT | 001 | 0,00 | 650,79 |
| 4 | 17213-MEB-770 | ELEMENT, AIR CLEANER | 001 | 0,00 | 463,67 |
| 5 | 17214-MEN-670 | BASE ASSY., ELEMENT | 001 | 0,00 | 361,43 |
| 6 | 17217-MEB-770 | PLATE, AIR CLEANER CASE FR. | 001 | 0,00 | 105,55 |
| 7 | 17218-KZ3-860 | MUDGUARD, AIR CLEANER CASE | 001 | 0,00 | 265,64 |
| 8 | 17250-MEN-731 | CASE COMP., AIR CLEANER | 001 | 0,00 | 0,00 |
| 9 | 17253-MEN-730 | TUBE, AIR CLEANER CONNECTING | 001 | 0,00 | 0,00 |
| 10 | 17291-MEB-670 | BOLT, AIR CLEANER ELEMENT SETTING | 001 | 0,00 | 87,02 |
| 11 | 17359-MAG-L00 | JOINT, BREATHER TUBE | 001 | 0,00 | 37,31 |
| 12 | 17370-419-700 | PLUG, BREATHER TUBE | 001 | 0,00 | 16,45 |
| 13 | 17372-MEB-670 | TUBE A, BREATHER | 001 | 0,00 | 71,17 |
| 14 | 17373-KC1-J10 | JOINT, BREATHER THREE WAY | 001 | 0,00 | 83,24 |
| 15 | 17374-MEN-730 | TUBE B, BREATHER | 001 | 0,00 | 0,00 |
| 16 | 17375-MEB-670 | TUBE C, BREATHER | 001 | 0,00 | 58,70 |
| 17 | 43514-KS6-701 | CLAMP, MASTER CYLINDER OIL HOSE | 001 | 0,00 | 33,24 |
| 18 | 90004-GHB-630 | BOLT, FLANGE, 6X16 (NSHF) | 002 | 0,00 | 14,29 |
| 19 | 90305-GK8-000 | NUT, CLIP, 6MM | 002 | 0,00 | 14,35 |
| 20 | 93913-15510- | SCREW, TAPPING, 5X20 | 002 | 0,00 | 4,02 |
| 21 | 94002-050000S | NUT, HEX., 5MM | 006 | 0,00 | 4,02 |
| 22 | 95002-02120- | CLIP, TUBE (B12) | 003 | 0,00 | 4,90 |
| 23 | 95018-60321- | BAND, AIR CLEANER CONNECTING TUBE (60) | 001 | 0,00 | 36,58 |

Block F-15-4 EXHAUST MUFFLER (CRF450R4,5)

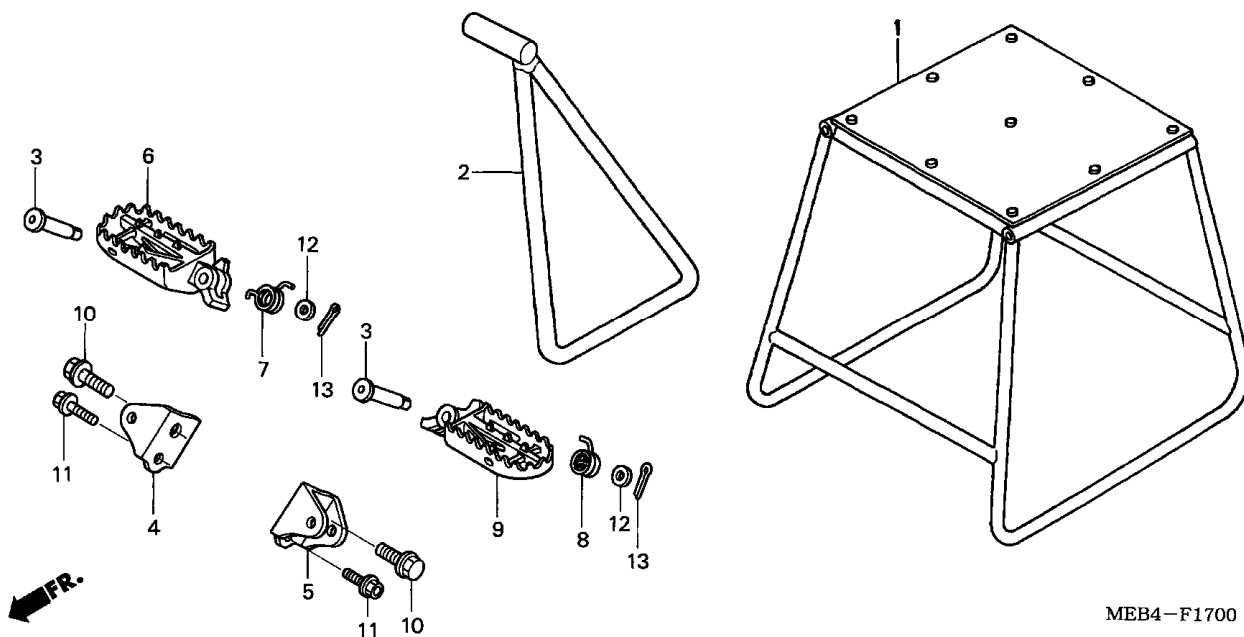


| Refnr | Part Number | Part Description | Unit Qty | Repair Qty | Price SEK (excl. VAT) |
|-------|---------------|----------------------------|----------|------------|-----------------------|
| 1 | 18291-MEB-670 | GASKET, EX. PIPE | 001 | 0,00 | 47,29 |
| 2 | 18310-MEN-730 | MUFFLER COMP. (98DB) | 001 | 0,00 | 0,00 |
| 2 | 18310-MEN-731 | MUFFLER COMP. (98DB) | 001 | 0,00 | 0,00 |
| 3 | 18338-MEN-730 | CAP, END | 001 | 0,00 | 0,00 |
| 4 | 18320-MEN-730 | PIPE COMP., EX. | 001 | 0,00 | 0,00 |
| 5 | 18323-MEN-730 | PROTECTOR, EX. PIPE | 001 | 0,00 | 0,00 |
| 6 | 18324-MEB-670 | RIVET, BLIND, 4.8 | 008 | 0,00 | 9,23 |
| 7 | 18329-MEN-670 | BAND, FR. MUFFLER BODY | 001 | 0,00 | 321,42 |
| 8 | 18336-MEN-670 | WOOL COMP., GLASS | 001 | 0,00 | 1 915,55 |
| 9 | 18350-MEN-730 | MUFFLER COMP., FR. (98DB) | 001 | 0,00 | 0,00 |
| 10 | 18351-MEN-730 | BODY COMP., MUFFLER (98DB) | 001 | 0,00 | 0,00 |
| 10 | 18351-MEN-731 | BODY COMP., MUFFLER (98DB) | 001 | 0,00 | 0,00 |
| 11 | 18352-MEN-730 | MUFFLER COMP., RR. (98DB) | 001 | 0,00 | 0,00 |
| 12 | 18375-MEN-670 | BAND, RR. MUFFLER | 001 | 0,00 | 142,82 |
| 13 | 18392-MEB-670 | PACKING, MUFFLER | 001 | 0,00 | 126,02 |
| 14 | 19508-KA3-710 | NUT, SPRING, 6MM | 002 | 0,00 | 23,27 |
| 15 | 90101-KZ3-J50 | BOLT, FLANGE, 8X24 | 001 | 0,00 | 27,59 |
| 16 | 90125-KZ4-J40 | BOLT, FLANGE, 8X22 | 001 | 0,00 | 22,53 |
| 17 | 90123-MEN-670 | BOLT, FLANGE, 8X16 (SH) | 001 | 0,00 | 25,91 |
| 18 | 90170-MEB-670 | BOLT, SPECIAL, 6MM | 002 | 0,00 | 21,22 |
| 19 | 94050-08000- | NUT, FLANGE, 8MM | 002 | 0,00 | 6,82 |
| 20 | 94102-08800- | WASHER, PLAIN, 8MM | 001 | 0,00 | 3,58 |
| 21 | 94103-08000- | WASHER, PLAIN, 8MM | 001 | 0,00 | 2,40 |
| 22 | 18331-MJ6-003 | RIVET, BLIND, 4.8 | 008 | 0,00 | 0,00 |
| 23 | 90514-MEN-730 | WASHER, RR. MUFFLER | 001 | 0,00 | 0,00 |
| 24 | 94101-05000- | WASHER, PLAIN, 5MM | 003 | 0,00 | 3,58 |
| 25 | 90505-KY4-900 | WASHER, PLAIN, 8MM | 001 | 0,00 | 3,85 |

Block F-16 PEDAL/KICK STARTER ARM



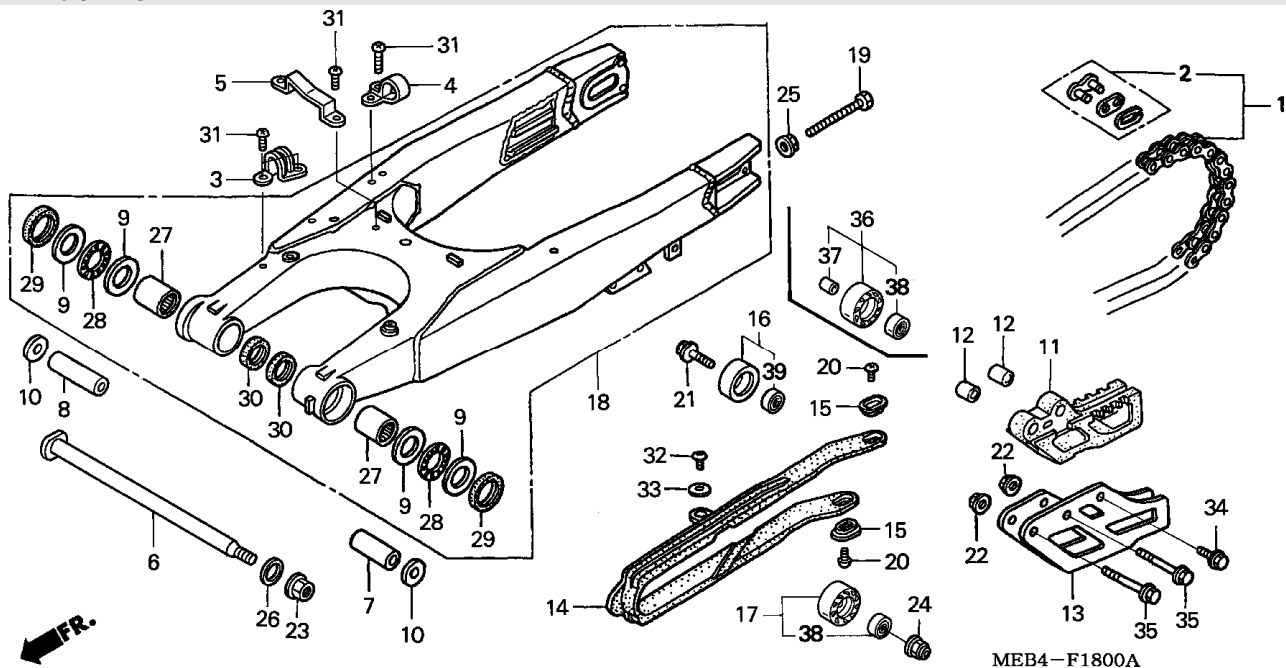
| Refnr | Part Number | Part Description | Unit Qty | Repair Qty | Price SEK (excl. VAT) |
|-------|---------------|--------------------------------|----------|------------|-----------------------|
| 1 | 24700-MEN-730 | PEDAL COMP., CHANGE | 001 | 0,00 | 0,00 |
| 2 | 28300-MEB-671 | ARM ASSY., KICK STARTER | 001 | 0,00 | 0,00 |
| 3 | 28302-MEB-671 | JOINT, KICK ARM | 001 | 0,00 | 0,00 |
| 4 | 28306-MEN-670 | BOLT, KICK JOINT | 001 | 0,00 | 82,15 |
| 5 | 28333-KK0-000 | SPRING, KICK STARTER | 001 | 0,00 | 15,53 |
| 6 | 46510-MEN-730 | PEDAL COMP., RR. BRAKE | 001 | 0,00 | 0,00 |
| 7 | 46511-KZ4-J00 | SPRING ASSY., RR. BRAKE RETURN | 001 | 0,00 | 38,23 |
| 8 | 46513-KRN-730 | SHAFT, BRAKE PIVOT | 001 | 0,00 | 0,00 |
| 10 | 46525-KK0-003 | DUST SEAL, 17X20X2.5 | 001 | 0,00 | 30,09 |
| 11 | 90101-MAC-680 | BOLT, KICK ARM | 001 | 0,00 | 43,91 |
| 12 | 91251-444-000 | DUST SEAL, 15X20X2.5 | 002 | 0,00 | 31,53 |
| 13 | 94201-20120- | PIN, SPLIT, 2.0X12 | 001 | 0,00 | 1,96 |
| 14 | 95015-54000- | PIN D, JOINT | 001 | 0,00 | 8,30 |
| 15 | 96001-0602200 | BOLT, FLANGE, 6X22 | 001 | 0,00 | 7,56 |
| 16 | 96211-08000- | BALL, STEEL, #8 (1/4) | 001 | 0,00 | 3,33 |
| 17 | 90512-KRN-730 | WASHER, 26X10.5 | 001 | 0,00 | 0,00 |



MEB4-F1700

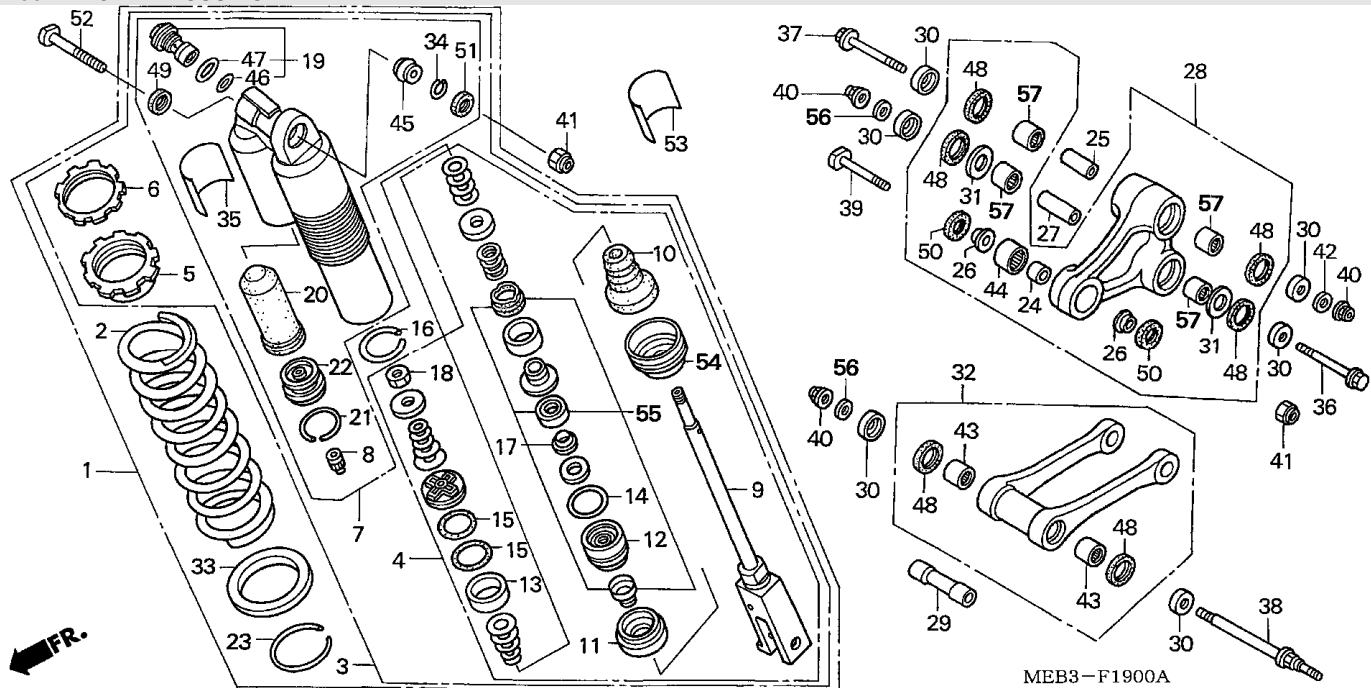
| Refnr | Part Number | Part Description | Unit Qty | Repair Qty | Price SEK (excl. VAT) |
|-------|---------------|------------------------|----------|------------|-----------------------|
| 1 | 50500-KA3-820 | STAND COMP., MAIN | (1) | 0,00 | 1 570,96 |
| 2 | 50530-KZ4-J40 | BAR, SIDE STAND | 001 | 0,00 | 302,52 |
| 3 | 50603-KZ4-J40 | PIN, STEP JOINT | 002 | 0,00 | 29,17 |
| 4 | 50610-MEN-670 | BRACKET, R. STEP | 001 | 0,00 | 132,45 |
| 5 | 50611-MEN-670 | BRACKET, L. STEP | 001 | 0,00 | 132,45 |
| 6 | 50616-MEN-670 | ARM, R. STEP | 001 | 0,00 | 363,02 |
| 7 | 50617-KZ4-J40 | SPRING, R. STEP RETURN | 001 | 0,00 | 20,91 |
| 8 | 50618-KZ4-J40 | SPRING, L. STEP RETURN | 001 | 0,00 | 20,91 |
| 9 | 50642-MEN-670 | ARM, L. STEP | 001 | 0,00 | 363,02 |
| 10 | 90101-KZ4-J40 | BOLT, STEP, 12MM | 002 | 0,00 | 43,15 |
| 11 | 90101-KZ3-J50 | BOLT, FLANGE, 8X24 | 002 | 0,00 | 27,59 |
| 12 | 94102-08800- | WASHER, PLAIN, 8MM | 002 | 0,00 | 3,58 |
| 13 | 94201-25150- | PIN, SPLIT, 2.5X15 | 002 | 0,00 | 4,02 |

Block F-18 SWINGARM



| Refnr | Part Number | Part Description | Unit Qty | Repair Qty | Price SEK (excl. VAT) |
|-------|---------------|--|----------|------------|--------------------------|
| 1 | 40530-KZ3-J31 | CHAIN, DRIVE (DAIDO) (DID520DMA2-114RB) (STANDARD LINK 114L) | 001 | 0,00 | 937,76 |
| 1 | 40540-MEN-003 | CHAIN, DRIVE (DAIDO) (DID520DMA2-120RB) (STANDARD LINK 114L) | (1) | 0,00 | 1 210,10 |
| 2 | 40531-KZ4-J31 | JOINT, DRIVE CHAIN (DAIDO) | 001 | 0,00 | 69,59 |
| 3 | 43468-MCJ-000 | GUIDE, BRAKE HOSE | 001 | 0,00 | 53,71 |
| 4 | 43468-MEB-000 | GUIDE, RR. BRAKE HOSE | 001 | 0,00 | 31,93 |
| 5 | 43469-MEB-000 | GUIDE, BRAKE HOSE | 001 | 0,00 | 36,52 |
| 6 | 52101-KZ4-J40 | SHAFT, SWINGARM PIVOT | 001 | 0,00 | 214,86 |
| 7 | 52141-MEN-710 | COLLAR, SWINGARM, 46MM | 001 | 0,00 | 0,00 |
| 8 | 52142-KZ4-J40 | COLLAR, SWINGARM SIDE, 54MM | 001 | 0,00 | 107,12 |
| 9 | 52143-KZ3-860 | WASHER, SWINGARM SIDE | 004 | 0,00 | 20,65 |
| 10 | 52143-KZ4-J40 | COLLAR, SWINGARM PIVOT SIDE | 002 | 0,00 | 26,55 |
| 11 | 52146-KRN-710 | GUIDE, CHAIN | 001 | 0,00 | 214,46 |
| 12 | 52148-MEN-000 | COLLAR, CHAIN GUIDE | 002 | 0,00 | 33,50 |
| 13 | 52147-KRN-710 | PLATE, CHAIN GUIDE | 001 | 0,00 | 316,04 |
| 14 | 52170-KRN-710 | SLIDER, CHAIN | 001 | 0,00 | 498,31 |
| 15 | 52171-KR6-000 | WASHER, CHAIN SLIDER | 002 | 0,00 | 5,82 |
| 17 | 52176-MEN-710 | ROLLER COMP., CHAIN LOWER | 001 | 0,00 | 0,00 |
| 18 | 52200-MEN-710 | SWINGARM SUB ASSY., RR. | 001 | 0,00 | 7 158,44 |
| 19 | 90105-MEN-000 | BOLT, HEX., 8X47.5 | 002 | 0,00 | 38,66 |
| 20 | 90115-KV3-700 | SCREW, PAN, 5X8 | 002 | 0,00 | 11,06 |
| 21 | 90124-MEB-770 | BOLT, FLANGE, 8X32 | 001 | 0,00 | 28,16 |
| 22 | 90301-473-003 | NUT, U, 6MM | 002 | 0,00 | 25,10 |
| 23 | 90305-KZ3-B01 | NUT, U, HEX. 14MM | 001 | 0,00 | 27,86 |
| 24 | 90301-473-003 | NUT, U, 6MM | 001 | 0,00 | 25,10 |
| 25 | 90309-357-000 | NUT, HEX., 8MM | 002 | 0,00 | 41,38 |
| 26 | 90501-GBL-730 | WASHER, 14MM | 001 | 0,00 | 13,69 |
| 27 | 91071-MJ0-003 | BEARING, NEEDLE (NTN) | 002 | 0,00 | 197,53 |
| 28 | 91072-KZ3-861 | BEARING, NEEDLE THRUST | 002 | 0,00 | 68,93 |
| 29 | 91253-KZ3-861 | DUST SEAL, 30X37X4 | 002 | 0,00 | 59,62 |
| 30 | 91283-ML7-003 | DUST SEAL, 22X29X4 (ARAI) | 002 | 0,00 | 59,62 |
| 31 | 93500-050080A | SCREW, PAN, 5X8 | 006 | 0,00 | 1,96 |
| 32 | 93500-050080G | SCREW, PAN, 5X8 | 001 | 0,00 | 3,58 |
| 33 | 94103-05700- | WASHER, PLAIN, 5MM | 001 | 0,00 | 1,96 |
| 34 | 96001-0601200 | BOLT, FLANGE, 6X12 | 001 | 0,00 | 8,30 |
| 35 | 96001-0605000 | BOLT, FLANGE, 6X50 | 002 | 0,00 | 10,79 |
| 36 | 52175-MEN-000 | ROLLER, CHAIN (42) | 001 | 0,00 | 344,78 |
| 37 | 52160-MEN-000 | COLLAR, CHAIN TENSIONER | 001 | 0,00 | 25,76 |
| 38 | 91011-GCT-003 | BEARING, RADIAL BALL, 608UU | 003 | 0,00 | 187,43 |

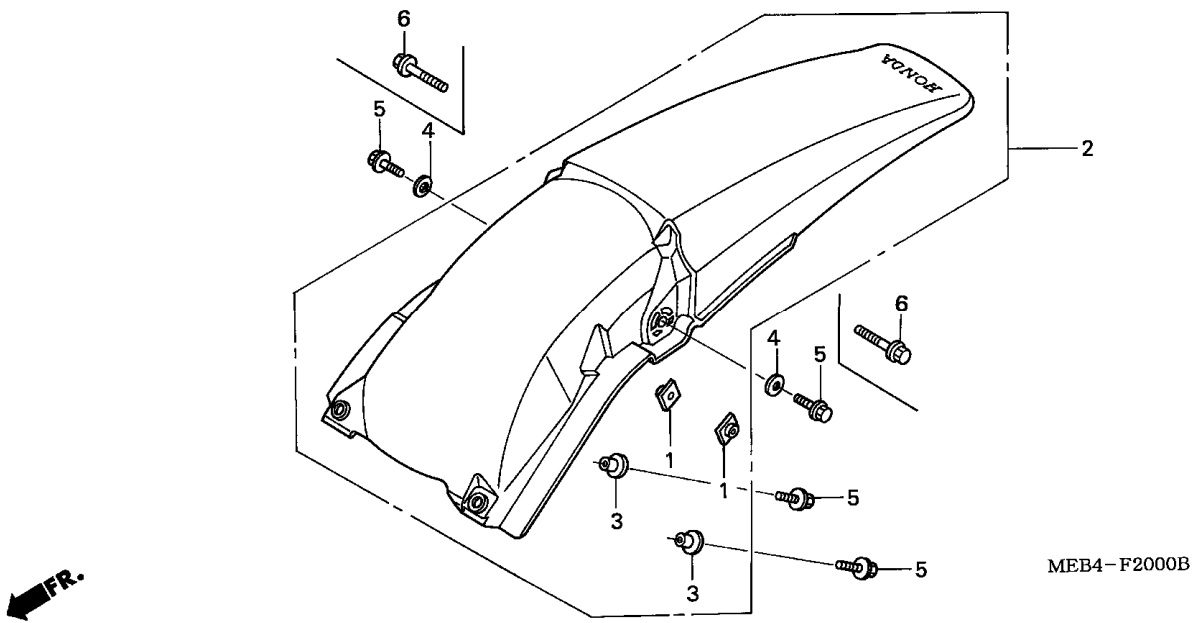
Block F-19 REAR CUSHION



| Refnr | Part Number | Part Description | Unit Qty | Repair Qty | Price SEK (excl. VAT) |
|-------|---------------|--|----------|------------|--------------------------|
| 1 | 52400-MEN-731 | CUSHION ASSY., RR. (SHOWA) | 001 | 0,00 | 0,00 |
| 2 | 52401-MEB-751 | SPRING, RR. CUSHION (SHOWA) (54N/MM,5.5KGF/MM) | 001 | 0,00 | 1 377,79 |
| 2 | 52402-MEB-751 | SPRING, RR. CUSHION (SHOWA) (52N/MM,5.3KGF/MM) | (1) | 0,00 | 1 377,79 |
| 2 | 52403-MEB-751 | SPRING, RR. CUSHION (SHOWA) (55N/MM,5.7KGF/MM) | (1) | 0,00 | 1 377,79 |
| 2 | 52404-MEB-751 | SPRING, RR. CUSHION (SHOWA) (58N/MM,5.9KGF/MM) | (1) | 0,00 | 1 377,79 |
| 3 | 52410-MEN-731 | DAMPER COMP., RR. | 001 | 0,00 | 0,00 |
| 4 | 52421-MEN-731 | ROD COMP., PISTON | 001 | 0,00 | 0,00 |
| 5 | 52422-KZ3-J31 | ADJUSTER, SPRING | 001 | 0,00 | 152,66 |
| 6 | 52423-KZ3-J21 | NUT, ADJUSTER | 001 | 0,00 | 105,68 |
| 7 | 52425-KRN-731 | CASE COMP., DAMPER | 001 | 0,00 | 0,00 |
| 8 | 52425-381-771 | CAP, AIR VALVE | 001 | 0,00 | 39,28 |
| 9 | 52426-MEN-711 | ROD COMP. | 001 | 0,00 | 0,00 |
| 10 | 52427-MEB-751 | RUBBER, STOPPER | 001 | 0,00 | 108,96 |
| 11 | 52428-KRN-711 | PLATE, END | 001 | 0,00 | 114,47 |
| 12 | 52429-KZ3-J41 | CASE COMP., ROD GUIDE | 001 | 0,00 | 98,98 |
| 13 | 52431-KZ3-J31 | RING, PISTON | 001 | 0,00 | 128,12 |
| 14 | 52434-KZ3-J21 | O-RING, 3.5X43.7 | 001 | 0,00 | 40,33 |
| 15 | 52434-KZ3-J31 | O-RING, 42.5X2.0 | 002 | 0,00 | 38,23 |
| 16 | 52435-KZ3-J21 | RING, STOPPER | 001 | 0,00 | 18,68 |
| 18 | 52438-KA4-741 | NUT, HEX., 12MM | 001 | 0,00 | 16,18 |
| 19 | 52440-MEN-671 | ADJUSTER, COMPRESSION DAMPING FORCE | 001 | 0,00 | 613,40 |
| 20 | 52451-KRN-711 | BLADDER | 001 | 0,00 | 0,00 |
| 21 | 52452-KS7-831 | RING, STOPPER | 001 | 0,00 | 17,89 |
| 22 | 52453-KRN-711 | CAP COMP., CHAMBER | 001 | 0,00 | 0,00 |
| 23 | 52455-KZ3-J21 | RING, STOPPER | 001 | 0,00 | 44,66 |
| 24 | 52464-KRN-710 | COLLAR D, CUSHION ARM | 001 | 0,00 | 0,00 |
| 25 | 52463-KZ4-J40 | COLLAR C, CUSHION ARM | 001 | 0,00 | 53,84 |
| 26 | 52466-KRN-710 | COLLAR D, CUSHION ARM SIDE | 002 | 0,00 | 0,00 |
| 27 | 52464-KZ4-J20 | COLLAR B, CUSHION | 001 | 0,00 | 60,67 |
| 28 | 52465-MEN-710 | ARM SUB ASSY., CUSHION | 001 | 0,00 | 0,00 |
| 29 | 52473-KZ4-J20 | COLLAR A, CONNECTING ROD | 001 | 0,00 | 127,59 |
| 30 | 52475-KZ4-J20 | COLLAR, LINK SIDE | 006 | 0,00 | 58,83 |
| 31 | 52476-KZ4-J20 | WASHER, THRUST | 002 | 0,00 | 44,00 |
| 32 | 52479-MEN-710 | ROD SUB ASSY., CUSHION CONNECTING | 001 | 0,00 | 0,00 |
| 33 | 52486-KZ3-J21 | SEAT, SPRING | 001 | 0,00 | 131,92 |
| 34 | 52487-KA4-831 | RING, STOPPER | 001 | 0,00 | 19,99 |
| 35 | 87516-KZ1-600 | LABEL, RR. DAMPER WARNING | 001 | 0,00 | 40,33 |
| 36 | 90130-KZ4-J20 | BOLT, LINK, 12X96 | 001 | 0,00 | 95,27 |
| 37 | 90130-KZ4-J40 | BOLT, LINK, 12X81.5 | 001 | 0,00 | 87,77 |
| 38 | 90131-KRN-710 | BOLT, LINK, 12X120 | 001 | 0,00 | 0,00 |
| 39 | 90153-KZ4-710 | BOLT, CUSHION LOWER, 10X43.5 | 001 | 0,00 | 35,84 |
| 40 | 90306-KBP-901 | NUT, U, 12MM | 003 | 0,00 | 35,21 |
| 41 | 90306-KZ4-711 | NUT, U, 10MM | 002 | 0,00 | 19,59 |
| 42 | 90501-KZ4-J40 | WASHER, PLAIN, 12MM | 001 | 0,00 | 25,76 |
| 43 | 91053-KZ4-J21 | BEARING, NEEDLE, 20X26X14 | 002 | 0,00 | 105,81 |
| 44 | 91074-KRN-711 | BEARING, NEEDLE, 19X26X13 | 001 | 0,00 | 0,00 |
| 45 | 91074-MAC-741 | BEARING, SPHERICAL, 10 | 001 | 0,00 | 169,72 |
| 46 | 91256-KZ3-731 | O-RING, 21.5X1.5 | 001 | 0,00 | 15,53 |
| 47 | 91257-KZ3-891 | O-RING, 26.2X1.9 | 001 | 0,00 | 21,03 |
| 48 | 91262-KZ3-731 | DUST SEAL, 25X32X4 | 006 | 0,00 | 80,09 |

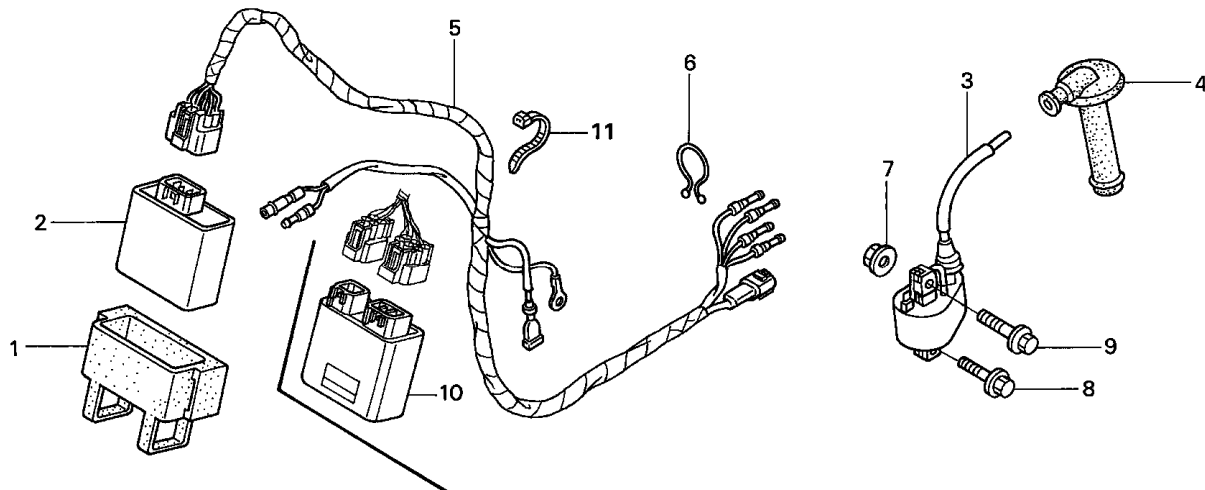
| | | | | | |
|----|---------------|------------------------------------|-----|------|--------|
| 49 | 91351-KZ3-731 | DUST SEAL, RR. CUSHION PIVOT | 001 | 0,00 | 29,43 |
| 50 | 91351-KRN-711 | DUST SEAL, 17.5X26X3 | 002 | 0,00 | 0,00 |
| 51 | 91351-MAC-671 | DUST SEAL, 16X26X3 | 001 | 0,00 | 30,22 |
| 52 | 90152-MEB-750 | BOLT, CUSHION UPPER, 10X53 | 001 | 0,00 | 35,47 |
| 53 | 87516-KZ1-881 | LABEL, RR. DAMPER WARNING (FRENCH) | 001 | 0,00 | 32,72 |
| 54 | 52419-KZ3-J21 | STOPPER, SPRING SEAT | 001 | 0,00 | 98,98 |
| 55 | 52436-MEN-671 | OIL SEAL SET | 001 | 0,00 | 189,53 |
| 56 | 90501-KRN-710 | WASHER, PLAIN, 12MM | 002 | 0,00 | 0,00 |
| 57 | 91051-KSC-003 | BEARING, NEEDLE, 20X26X15 | 004 | 0,00 | 82,84 |

Block F-20 REAR FENDER



| Refnr | Part Number | Part Description | Unit Qty | Repair Qty | Price SEK (excl. VAT) |
|-------|---------------|------------------------------|----------|------------|--------------------------|
| 1 | 61304-958-003 | NUT, SPECIAL, 6X7 | 002 | 0,00 | 25,76 |
| 2 | 80101-MEN-730 | FENDER SET, RR. (WL) *TYPE1* | 001 | 0,00 | 0,00 |
| 3 | 90502-MEN-730 | COLLAR, RR. FENDER | 002 | 0,00 | 0,00 |
| 5 | 96001-0601400 | BOLT, FLANGE, 6X14 | 002 | 0,00 | 8,30 |
| 6 | 96001-0603000 | BOLT, FLANGE, 6X30 | 002 | 0,00 | 9,03 |

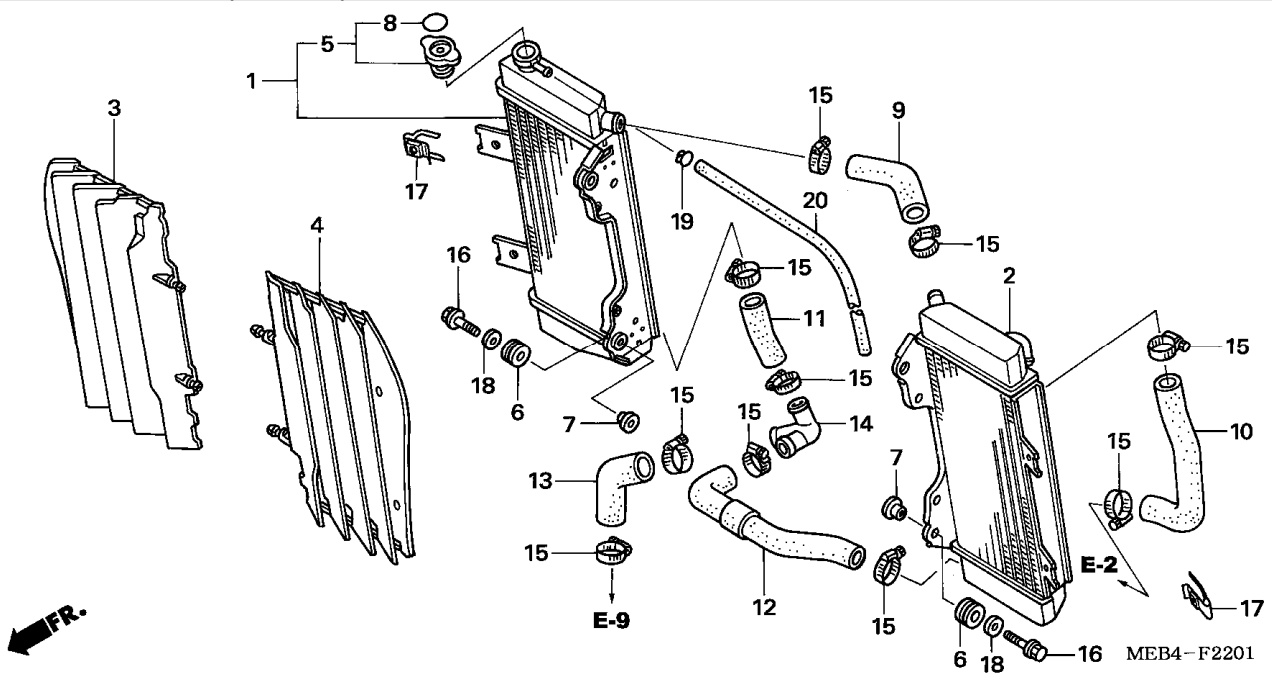
Block F-21 WIRE HARNESS



MEB4-F2100B

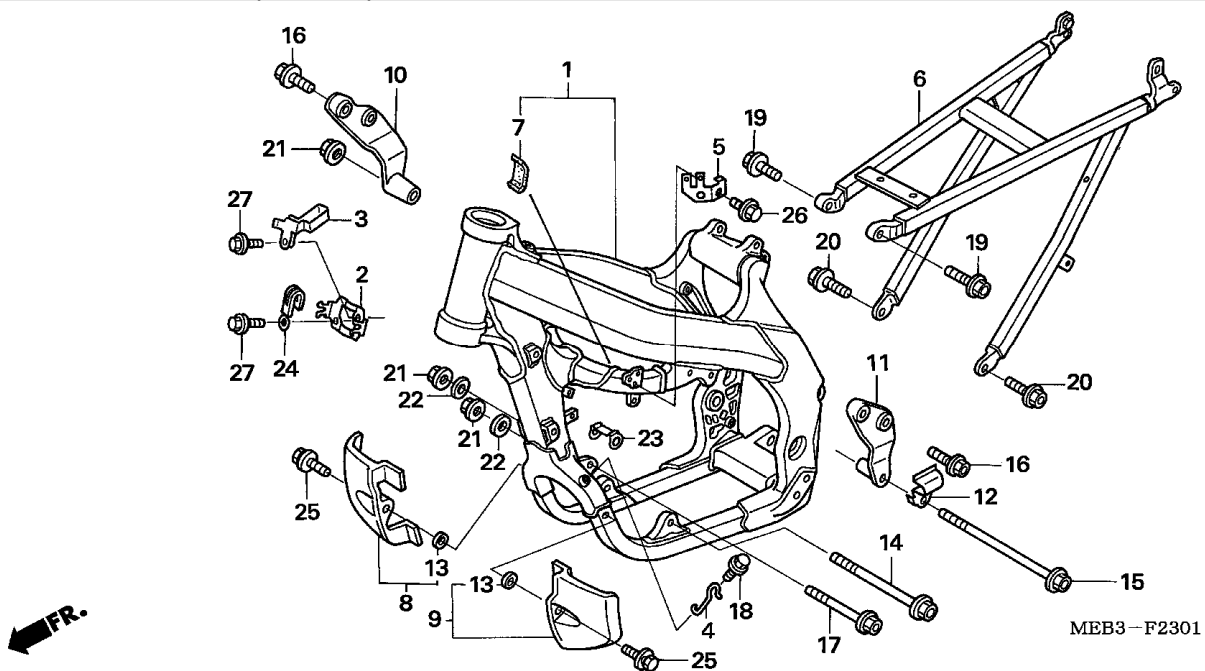
| Refnr | Part Number | Part Description | Unit Qty | Repair Qty | Price SEK (excl. VAT) |
|-------|---------------|-----------------------------|----------|------------|--------------------------|
| 1 | 30401-MEN-670 | CUSHION, C.D.I. UNIT | 001 | 0,00 | 94,91 |
| 3 | 30500-MEB-671 | COIL ASSY., IGNITION | 001 | 0,00 | 515,63 |
| 4 | 30700-MEB-671 | CAP ASSY., NOISE SUPPRESSOR | 001 | 0,00 | 405,40 |
| 5 | 32100-MEN-710 | HARNESS, WIRE | 001 | 0,00 | 0,00 |
| 6 | 32171-GF9-621 | LOCK, PURSE | 001 | 0,00 | 20,65 |
| 7 | 94050-06000- | NUT, FLANGE, 6MM | 001 | 0,00 | 6,82 |
| 8 | 96001-0602000 | BOLT, FLANGE, 6X20 | 001 | 0,00 | 8,30 |
| 9 | 96001-0602500 | BOLT, FLANGE, 6X25 | 001 | 0,00 | 7,56 |
| 10 | 30410-MEN-711 | C.D.I. UNIT | 001 | 0,00 | 0,00 |
| 11 | 90650-MBY-000 | BAND, HARNESS | 001 | 0,00 | 0,00 |

Block F-22-1 RADIATOR (CRF450R5)

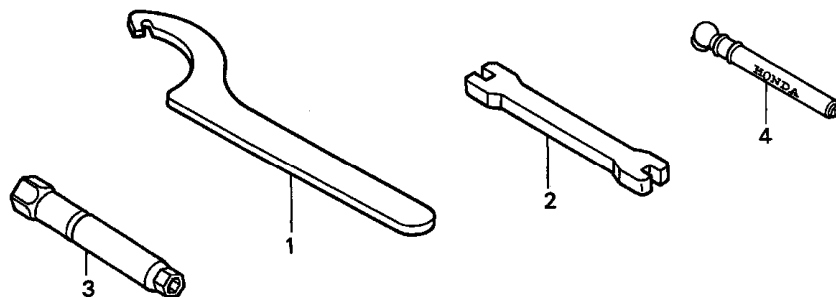


| Refnr | Part Number | Part Description | Unit Qty | Repair Qty | Price SEK (excl. VAT) |
|-------|---------------|--|----------|------------|-----------------------|
| 1 | 19010-MEN-730 | RADIATOR, R. | 001 | 0,00 | 2 905,00 |
| 2 | 19015-MEN-730 | RADIATOR, L. | 001 | 0,00 | 0,00 |
| 3 | 19033-MEN-730 | GRILL, RADIATOR R. | 001 | 0,00 | 0,00 |
| 4 | 19034-MEN-730 | GRILL, RADIATOR L. | 001 | 0,00 | 0,00 |
| 5 | 19037-KRN-640 | CAP COMP., RADIATOR | 001 | 0,00 | 238,87 |
| 6 | 19051-KRN-000 | RUBBER, RADIATOR MOUNTING | 004 | 0,00 | 23,79 |
| 7 | 19052-MAC-680 | COLLAR, RADIATOR MOUNTING | 004 | 0,00 | 24,06 |
| 8 | 19055-KRN-640 | SEAL, RADIATOR CAP (ENGLISH/FRENCH/JAPANESE) | 001 | 0,00 | 38,49 |
| 9 | 19061-MEN-730 | HOSE A, WATER | 001 | 0,00 | 0,00 |
| 10 | 19062-MEN-730 | HOSE B, WATER | 001 | 0,00 | 0,00 |
| 11 | 19064-MEN-730 | HOSE D, WATER | 001 | 0,00 | 0,00 |
| 12 | 19065-MEN-730 | HOSE E, WATER | 001 | 0,00 | 0,00 |
| 13 | 19066-MEN-730 | HOSE F, WATER | 001 | 0,00 | 0,00 |
| 14 | 19069-MEN-730 | JOINT, WATER HOSE | 001 | 0,00 | 0,00 |
| 15 | 19506-KS6-700 | CLAMP B, WATER HOSE | 010 | 0,00 | 24,45 |
| 16 | 90001-GB4-000 | BOLT, FLANGE, 6X23.5 | 004 | 0,00 | 15,97 |
| 17 | 90303-KRN-000 | NUT, CLIP, 6MM | 002 | 0,00 | 20,38 |
| 18 | 90403-KA3-830 | WASHER, RADIATOR MOUNTING | 004 | 0,00 | 8,96 |
| 19 | 95002-02080- | CLIP, TUBE (B8) | 001 | 0,00 | 4,02 |
| 20 | 95003-1407310 | TUBE, VINYL, 6X9X730 (95003-14001-10M) | 001 | 0,00 | 20,08 |

Block F-23-1 FRAME BODY (CRF450R5)



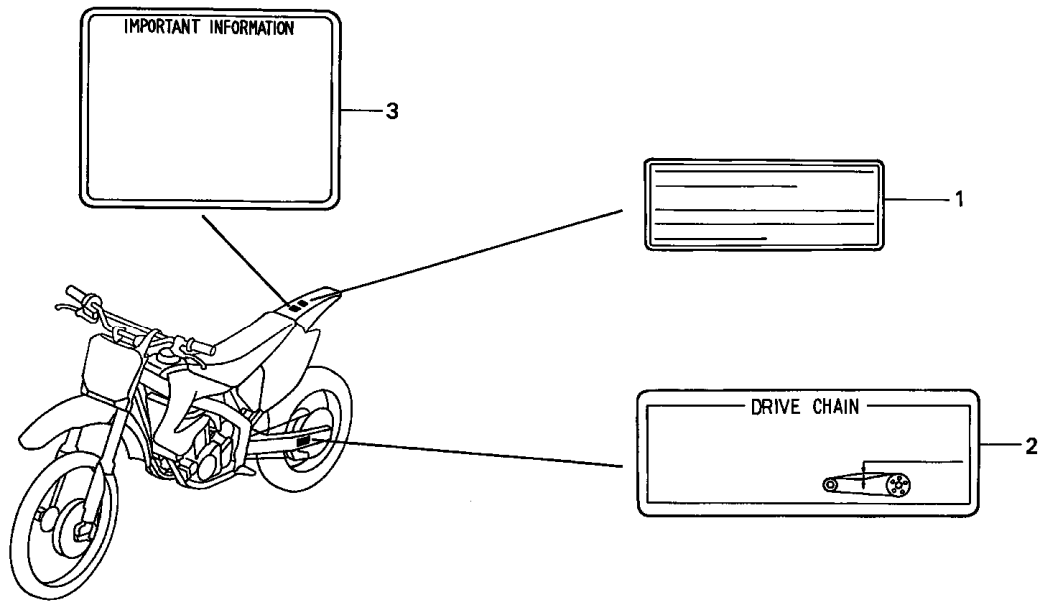
| Refnr | Part Number | Part Description | Unit Qty | Repair Qty | Price SEK (excl. VAT) |
|-------|---------------|---------------------------|----------|------------|-----------------------|
| 1 | 50010-MEN-730 | BODY ASSY., FRAME | 001 | 0,00 | 0,00 |
| 2 | 50124-MEN-670 | BRACKET, C.D.I. UNIT | 001 | 0,00 | 66,18 |
| 3 | 50128-MEN-730 | GUIDE, CABLE | 001 | 0,00 | 0,00 |
| 4 | 50129-MEN-730 | GUIDE, CLUTCH FR. | 001 | 0,00 | 0,00 |
| 5 | 50180-MEN-730 | STAY, COUPLER | 001 | 0,00 | 0,00 |
| 6 | 50200-MEN-730 | BODY COMP., RR. FRAME | 001 | 0,00 | 0,00 |
| 7 | 50283-MR7-300 | RUBBER, SEAT RAIL | 001 | 0,00 | 18,68 |
| 8 | 50355-MEN-730 | GUARD, R. ENGINE | 001 | 0,00 | 0,00 |
| 9 | 50360-MEN-730 | GUARD, L. ENGINE | 001 | 0,00 | 0,00 |
| 10 | 50407-MEN-730 | PLATE, R. HEAD HANGER | 001 | 0,00 | 0,00 |
| 11 | 50408-MEN-730 | PLATE, L. HEAD HANGER | 001 | 0,00 | 0,00 |
| 12 | 50410-MEN-670 | GUIDE, FUEL TUBE | 001 | 0,00 | 56,34 |
| 13 | 50618-KE8-000 | COLLAR, 6.5X11X3 | 002 | 0,00 | 8,31 |
| 14 | 90101-MEN-670 | BOLT, FLANGE, 10X132 | 001 | 0,00 | 68,09 |
| 15 | 90102-MEN-670 | BOLT, FLANGE, 10X172 | 001 | 0,00 | 77,46 |
| 16 | 90103-MEB-670 | BOLT, FLANGE, 8X18 | 004 | 0,00 | 25,91 |
| 17 | 90104-MEN-731 | BOLT, FLANGE, 10X125 | 001 | 0,00 | 0,00 |
| 18 | 90106-KRN-000 | BOLT, FLANGE, 5X12 | 001 | 0,00 | 18,79 |
| 19 | 90121-KZ4-J40 | BOLT, FLANGE, 8X25 | 002 | 0,00 | 34,72 |
| 20 | 90122-MEN-730 | BOLT, 10X24 | 002 | 0,00 | 0,00 |
| 21 | 90302-KZ3-J40 | NUT, FLANGE, 10MM | 003 | 0,00 | 21,17 |
| 22 | 90410-HC4-000 | WASHER, 10MM | 002 | 0,00 | 7,26 |
| 23 | 90511-MEN-730 | WASHER, FR. ENGINE HANGER | 001 | 0,00 | 0,00 |
| 24 | 91406-166-000 | CLIP, WIRE | 001 | 0,00 | 19,59 |
| 25 | 93404-0602000 | BOLT-WASHER, 6X20 | 002 | 0,00 | 5,35 |
| 26 | 96001-0601000 | BOLT, FLANGE, 6X10 | 002 | 0,00 | 8,30 |
| 27 | 96001-0601200 | BOLT, FLANGE, 6X12 | 002 | 0,00 | 8,30 |



MEB3~F2400

| Refnr | Part Number | Part Description | Unit Qty | Repair Qty | Price SEK (excl. VAT) |
|-------|---------------|---------------------|----------|------------|--------------------------|
| 1 | 89201-KS6-810 | SPANNER A, PIN | (2) | 0,00 | 383,22 |
| 2 | 89212-KZ4-J40 | WRENCH, NIPPLE | 001 | 0,00 | 70,38 |
| 3 | 89216-MEB-670 | WRENCH, PLUG (16MM) | 001 | 0,00 | 84,29 |
| 4 | 89301-KA4-811 | GAUGE, AIR PRESSURE | (1) | 0,00 | 1 081,74 |

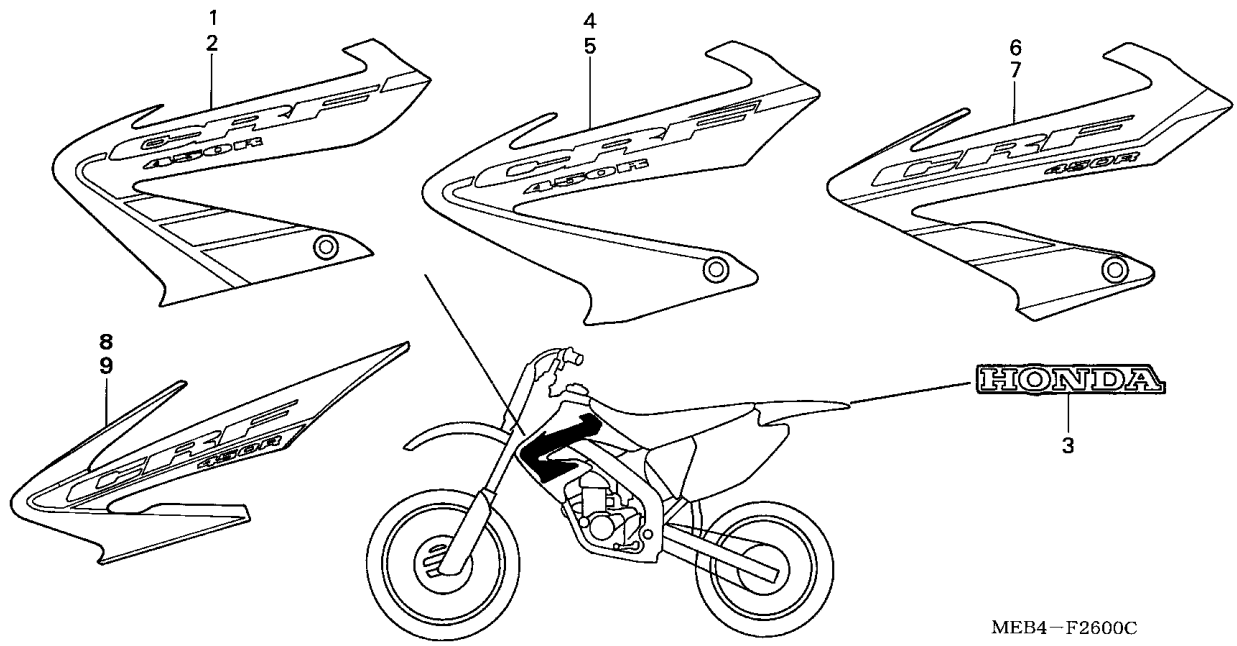
Block F-25 CAUTION LABEL



MEB3-F2500

| Refnr | Part Number | Part Description | Unit Qty | Repair Qty | Price SEK (excl. VAT) |
|-------|---------------|-----------------------------|----------|------------|-----------------------|
| 2 | 87507-KZ3-B10 | LABEL, DRIVE CHAIN | 001 | 0,00 | 40,33 |
| 2 | 87507-KZ3-B90 | LABEL, DRIVE CHAIN (FRENCH) | 001 | 0,00 | 40,33 |
| 3 | 87560-GBF-770 | MARK, CAUTION | 001 | 0,00 | 26,02 |
| 3 | 87560-ML3-970 | MARK, CAUTION (FRENCH) | 001 | 0,00 | 39,28 |

Block F-26 MARK



| Refnr | Part Number | Part Description | Unit Qty | Repair Qty | Price SEK (excl. VAT) |
|-------|---------------|----------------------------------|----------|------------|--------------------------|
| 3 | 87130-MBN-830 | MARK (HONDA) *TYPE1* | 001 | 0,00 | 41,77 |
| 8 | 87126-MEN-730 | MARK, R. RADIATOR SHROUD *TYPE1* | 001 | 0,00 | 0,00 |
| 9 | 87127-MEN-730 | MARK, L. RADIATOR SHROUD *TYPE1* | 001 | 0,00 | 0,00 |